

Radionics D4112 Program Sheet

Programming only by downloading, 5200 Programmer or 5100 "Wand" Programmer
 Plug programmer in and momentarily short Reset Pin to Terminal 25 to enable program mode

1. Account

Account #	_ _ _ _ _ _ _	(0 to 9, B to F)
Disable Sys	<u>NO</u>	No = Not Disabled, Yes = System shut down
Local	<u>NO</u>	No = Reporting, Yes = No Reporting
Entry Delay	<u>0</u> <u>3</u> <u>0</u>	10 to 120 seconds, Blank = No Entry Delay
BuzzACFail	<u>NO</u>	No = No Buzzer on AC Fail, Yes = Buzzer on AC Fail
Entry Delay	<u>0</u> <u>6</u> <u>0</u>	10 to 120 seconds, Blank = No Entry Delay
Prewarning	<u>YES</u>	No = No Buzzer on Entry Delay, Yes = Buzzer on Entry Delay
Device1Type	<u>2</u>	Keypad 1 Type BLANK = No Device 1 = D611 LED keypad
Device1Type	<u>2</u>	Keypad 1 Type 2 = D420 or D620 LED keypad 3 = D630 or D636 Alpha Keypad

2. Passcodes

Passcode1	<u>2</u> <u>3</u> <u>4</u> <u>5</u>	0 to 9
Passcode2	_ _ _ _ _ _ _	0 to 9
Passcode3	_ _ _ _ _ _ _	0 to 9
Passcode4	_ _ _ _ _ _ _	0 to 9
Passcode5	_ _ _ _ _ _ _	0 to 9, can be used as Duress if "Duress Type" enabled
User ID	<u>NO</u>	No = Disabled , Yes = Identify O/C Reports by User Passcodes Passcode1 = Zone 1 Passcode4 = Zone 4 Passcode2 = Zone 2 Passcode5 = Zone 5 Passcode3 = Zone 3 RAM or Command 1 = Zone 9
Duress Code	_ _ _	0 to 9 if BFSK format 0 to 9, B to F if Modem II format
Duress Type	<u>PASSCODE + 1</u>	Passcode + 1, Passcode + 5 (To enable Duress User ID must be YES, Opening Report must be C, Closing Report must be C)

3. Phone

PPrefix#	<u>1</u> <u>8</u> <u>0</u> <u>0</u> _ _ _ _ _ _ _	8-digits 0 to 9 (Just put 1800) C = 3 second pause D = 7 second Dial Tone pause
PPrefix#	<u>?</u> <u>?</u> <u>?</u> <u>?</u> <u>?</u> <u>?</u> <u>?</u> <u>?</u>	7-digits 0 to 9 (Rest of phone goes here)
APrefix#	_ _ _ _ _ _ _ _ _ _ _ _ _	(Alternate Phone, not used)
APrefix#	_ _ _ _ _ _ _ _ _ _ _ _ _	
DTMF Dial	<u>YES</u>	No = Pulse Dialing, Yes = DTMF Dialing
CS Format	<u>?</u>	7 = Radionics Modem Format 6 = Radionics BFSK Format 5 = Radionics Single Round with Parity 4 = Ademco High Speed Double Round 3 = Silent Knight High Speed Double Round 2 = Ademco Low Speed Double Round 1 = Silent Knight Low Speed Double Round
<u>Use 7 if Radionics C Receiver</u>		
<u>Use 6 if on Virtual Receiver</u>		
1400 Hz Ack	<u>NO</u>	No/Yes (Default) Always leave at No
2300 Hz Ack	<u>?</u>	No/Yes (Default) Yes if using Virtual Receiver No if using Radionics C Receiver
AlarmRoute	<u>1</u>	Default = 0 0 = Primary Phone Only 1 = Primary then Secondary Phone
OP/CL Route	<u>0</u>	Default = 0 2 = Alternate then Primary Phone 3 = Primary - Not designated Secondary - Designated
Trouble Route	<u>1</u>	Default = 0
Restore Route	<u>0</u>	Default = 0

Radionics D4112 Program Sheet

4. Remote Program

Passcode | 9 | 9 | 9 | 9 | 4-digits 0 to 9, B to F
Blank = No Remote Access

AnsArmRings | 0 | 5 | 0 (Default) to 14 Rings
Blank = No Answer

AnsDisRings | 1 | 2 | 0 (Default) to 14 Ring
Blank = No Answer

5. Tbl/Restorals

Trouble Code | F | 0 to 9, B to F, Blank (F is automatic if BFSK or Modem II is used)

Restoral Code | E | 0 to 9, B to F, Blank (E is automatic if BFSK or Modem II is used)

Expanded T/R | NO | No/Yes (Default) (Transmit Expanded Trouble & Restorals)

DelayRestore | NO | No (Default)/Yes (Delays Restorals until Siren Timeout)

6. Open/Closings

Opening Code | | 0 to 9, B to F, Blank (B = Default)

Closing Code | | 0 to 9, B to F, Blank (C = Default)

Restrict O/C | NO | No (Default)/Yes (Open after Alarm, Close if Force Armed)

Cancel Code | | 0 to 9, B to F, Blank (Leave Blank)

7. Bell Options

Bell Time | 0 | 6 | 00 to 63 minutes (Default = 06)

Test Bell | NO | No (Default)/Yes (Bell Test after Armed)

One Ring | YES | No (Default)/Yes (1 alarm per zone during Arming period)

8. Cmd Options

Cmd1MstrArm | YES | No/Yes (Default) (Enable Command 1 Arming (Quick Arm))

Cmd2InstPer | YES | No/Yes (Default) (Enable Command 2 Arming (Instant Arm))

Cmd3DlyPer | YES | No/Yes (Default) (Enable Command 3 Delayed Perimeter Arming)

Cmd5PassChg | YES | No/Yes (Default) (Enable Command 5 (Passcode Change Mode))

Cmd6PerWatch | YES | No/Yes (Default) (Enables Command 6 (Door Chime Mode))

Cmd8PerPartl | YES | No/Yes (Default) (Enable Command 8)
(Perimeter Arm with Entry/Exit Delay)
(Partial Arming by bypassing open zones)

Cmd0ZnBypass | YES | No/Yes (Default) (Force Arm with Passcode & Command 1, 2, 3)

Force Arming | YES | No/Yes (Default) (Enable Command 0 for Bypass while Arming)

ForceArm Max | 1 | 1 = Default 0 to 6 (Maximum Number of Zones for Force Arming)

9. Sys Test/Reset

Cmd41RstRpt | NO | No (Default)/Yes (Enable Command 41 Expanded Restorals)

Cmd42DiagRpt | NO | No/Yes (Default) (Enable Command 41 Expanded Restorals)

Cmd44SysTst | NO | No/Yes (Default) (Enable Command 44 to send Test signal)
(if No will also disable "A" Function key)

Cmd47SmkRst | YES | No/Yes (Default) (Enable Command 47 to reset smoke detectors)
(if No will also disable "B" Function key)

Battery Supv | 9 | 0 to 9, B to F, Blank (Enables Low Battery Reports)
(9 = Trouble & Restore Zone 9)

10. Special Cmds

Cmd7RptCode | 7 | 0 to 9, B to F, Blank (Command 7 Alarm Report Code)

Cmd7Bell | NO | No (Default)/Yes (No Siren/Bell on Command 7 Medical Alarm)

Cmd7PlsBell | NO | No (Default)/Yes (No Pulsed Siren/Bell on Command 7 Medical Alarm)

Cmd7AltAlrm | NO | No (Default)/Yes (No Alternate Alarm on Command 7 Medical Alarm)

Cmd9RptCode | 9 | 0 to 9, B to F, Blank (Command 9 Alarm Report Code)

Cmd9Bell | YES | No (Default)/Yes (Enable Siren/Bell on Command 9 Fire Alarm)

Cmd9PlsBell | YES | No (Default)/Yes (Enable Pulsed Siren/Bell on Command 9 Fire Alarm)

Cmd9AltAlrm | NO | No (Default)/Yes (Activate Alternate Alarm on Command 9 Fire Alarm)

Radionics D4112 Program Sheet

11. Zone Codes

Show Zones	<u>YES</u>	No/Yes (Default)	(Shows Zone Status while Disarmed)
	<u>Default</u>		<u>Default Zone Type</u> (00000 if Zone not used)
Zone1 Code	<u>0</u> <u>1</u> <u>4</u> <u>5</u> <u>4</u>		Fire, Trouble and Restorals
Zone2 Code	<u>2</u> <u>6</u> <u>1</u> <u>5</u> <u>0</u>		Perimeter Delay, Trouble and Restorals
Zone3 Code	<u>2</u> <u>2</u> <u>1</u> <u>5</u> <u>0</u>		Perimeter Instant, Trouble and Restorals
Zone4 Code	<u>2</u> <u>2</u> <u>1</u> <u>5</u> <u>0</u>		Perimeter Instant, Trouble and Restorals
Zone5 Code	<u>2</u> <u>2</u> <u>1</u> <u>5</u> <u>0</u>		Perimeter Instant, Trouble and Restorals
Zone6 Code	<u>1</u> <u>2</u> <u>1</u> <u>5</u> <u>0</u>		Interior Instant, Trouble and Restorals

Digit 1 = Zone Type

- 0 = 24 Hour Zone
- 1 = Interior Zone
- 2 = Perimeter Zone
- 3 = Priority 24 Hour Zone
- 4 = Priority Interior Zone
- 5 = Priority Perimeter Zone

Digit 2 = Response to Open or Short

- 0 = No Trouble, No Delay, Instant Alarm on Open or Short
- 1 = Trouble on Open, Instant Alarm on Open or Short
- 2 = Trouble on Short, Instant Alarm on Open or Short
- 3 = Trouble on Open or Short, Instant Alarm on Open or Short
- 4 = Delay on Open, Instant Alarm on Short, no Trouble Conditions
- 5 = Delay on Open, Instant Alarm on Short, Trouble on Open
- 6 = Delay on Open, Trouble on Short, Instant Alarm on Short
- 7 = Delay on Open, Trouble on Open or Short, Instant Alarm on Short
- 8 = Delay on Short, Instant Alarm on Open, no Trouble Conditions
- 9 = Delay on Short, Instant Alarm on Open, Trouble on Open
- A = Delay on Short, Instant Alarm on Open, Trouble on Open
- B = Delay on Short, Instant Alarm on Open, Trouble on Open or Short
- C = Delay on Open or Short, no Trouble Conditions
- D = Delay on Open or Short, Trouble on Open
- E = Delay on Open or Short, Trouble on Short
- F = Delay on Open or Short, Trouble on Open or Short

Digit 3 = Zone Alarm Local Response

- 0 = Silent Alarm, No Alarm Output
- 1 = Steady Alarm Output for Bells/Sirens
- 2 = Alternate Alarm Output Activation for Duration of Bell Timeout
- 3 = Alternate Alarm Output Activation and Steady Alarm Output for Bells/Sirens
- 4 = Pulsing Alarm Output for Bells/Sirens (Overrides single Bell per fault option)
- 5 = Alternate Alarm Output Activation (Overrides single Bell per fault option)
- 6 = Alternate Alarm Output Activation and Pulsing Alarm Output for Bells/Sirens

Digit 4 = Central Station Reporting Options

- 0 = Non-Reporting, Local Zone only
- 1 = Standard Reporting Zone
- 2 = Designated Zone
- 3 = Swinger Shunt Zone
- 4 = Swinger Shunt, Designated Zone
- 5 = Standard Reporting Zone, Includes Restoral Reports
- 6 = Restoral Reports, Designated Zone
- 7 = Restoral Reports, Swinger Shunt zone
- 8 = Designated Zone

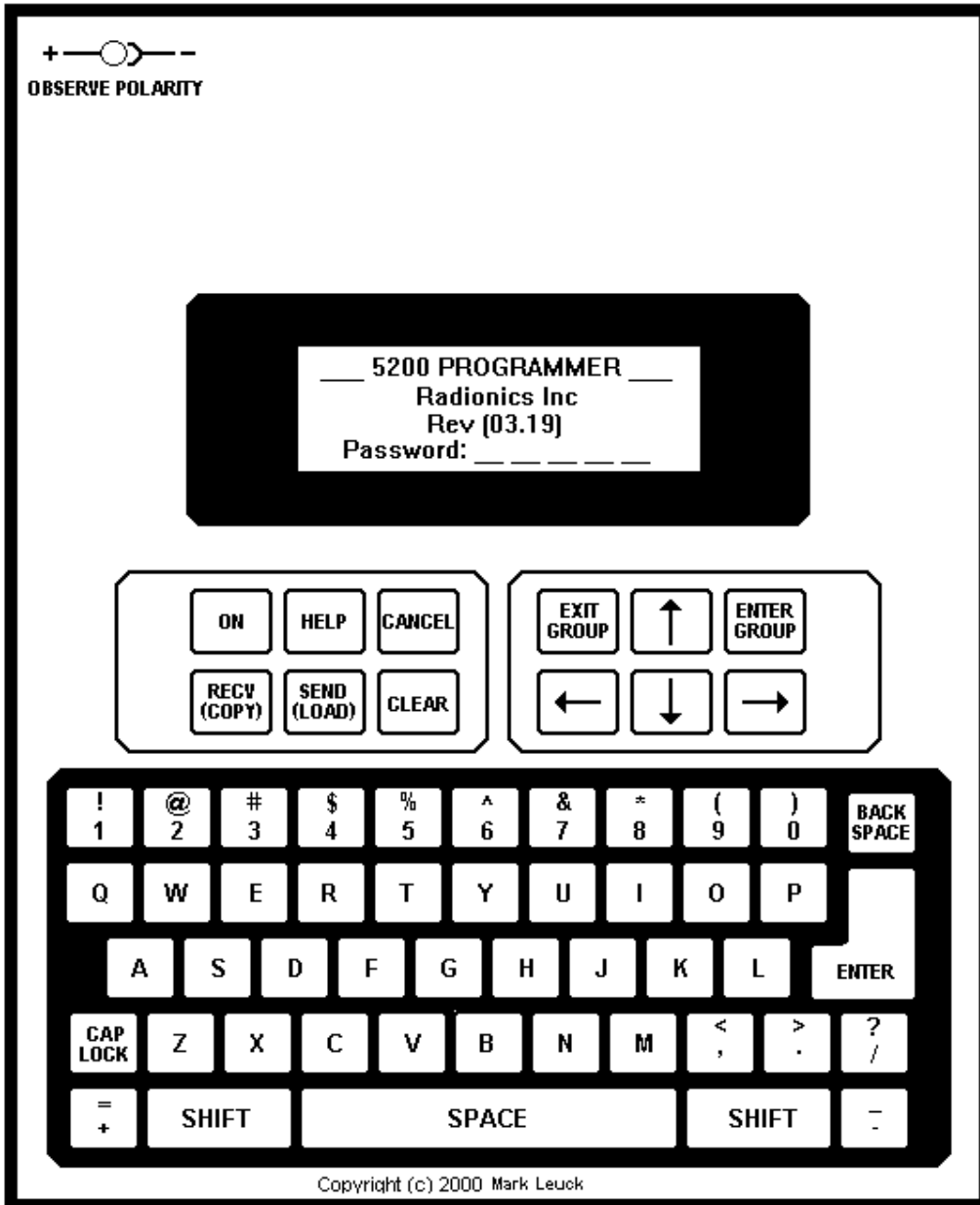
Digit 5 = Local Zone Annunciation and Options

- 0 = No Options
- 1 = Invisible Zone
- 2 = Ring Siren/Bells until Zone Restoral
- 3 = Ring Siren/Bells until Zone Restoral, Invisible Zone
- 4 = Sound Buzzers for Zone Fault
- 5 = Sound Buzzers for Zone Fault, Invisible Zone
- 6 = Sound Buzzers for Zone Fault, ring Siren/Bells until Zone Restoral
- 7 = Sound Buzzers for Zone Fault, ring Siren/Bells until Zone Restoral, Invisible Zone

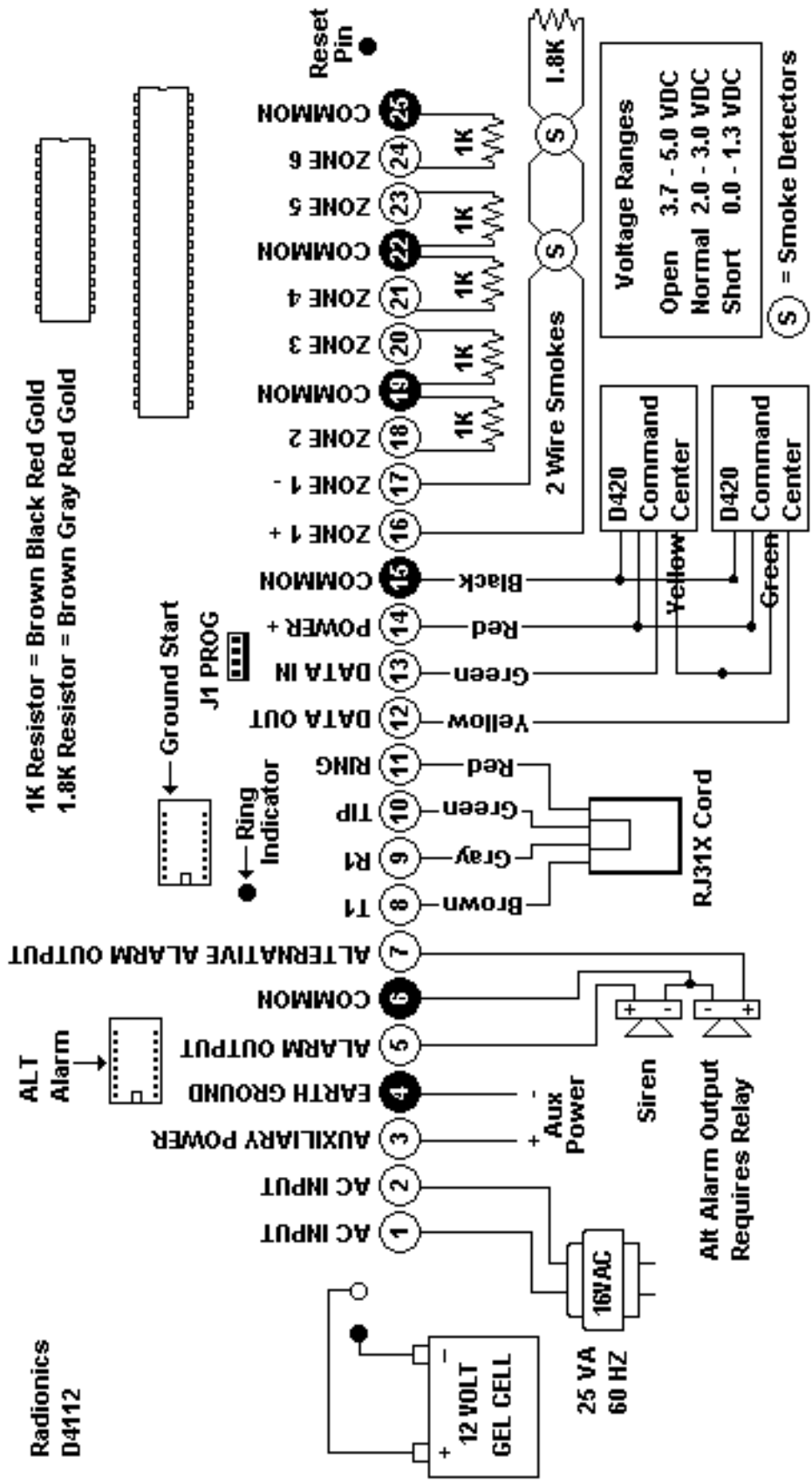
Radionics D4112 Program Sheet

12. Test Reports

TestPrimary	<u>NO</u>	No/Yes (Default)	(Transmit Test Reports to Primary Phone)
TestAlternate	<u>NO</u>	No (Default)/Yes	(Transmit Test Reports to Alternate Phone)
Test Code	<u> </u>	0 to 9 if BFSK format 0 to 9, B to F if Modem II format	(Test Report Code, Blank = disabled)
Test Code E	<u>NO</u>	No (Default)/Yes	(Transmit Automatic Test Report Code)
Interval	<u>1</u>	0 to 63, Default = 1	(Test Time in Days)
IntervalDays	<u>YES</u>	No/Yes (Default)	(No = Test Time in Hours, Yes = In Days)
DaysTilRpt	<u> </u>	0 to 63, Default = 1	(Number of Days until 1st Test Report)
HoursTilRpt	<u> </u>	0 to 63, Default = 1	(Number of Hours until 1st Test Report)
Defer Test	<u>NO</u>	No (Default)/Yes	(Defer Test Reports when an Alarm Generated)



Radionics D4112 Program Sheet



Radionics D4112 Program Sheet

Basic Commands

Panic Panic	COMMAND + 9 (This may be silent on some systems)
Special Alert	COMMAND + 7 (sends specific alarm (Optional))
Arm Away	Enter Code + ENT key or COMMAND + 1 (All zone lights must be Off to arm)
Stay Arm	COMMAND + 3 (Motions are bypassed, doors/windows will still be delayed)
Instant Arm	COMMAND + 2 (Perimeter & Instant lights turn on, Motions will not arm)
Partial Arm	COMMAND + 8 (Arms all but open zones, bypasses motions)
Disarm	Enter Code + ENT key (Perimeter, Interior, Instant turn off)
Reset Alarm	Press COMMAND + 4 to stop keypad flashing and reset system
Reset Smoke	COMMAND + 4 + 7 (If this does not work power down system and set for service)
Bypass	1. Arm system with COMMAND + 1 2. Before Exit Delay expires press COMMAND + 0 3. Press zone to be bypassed (1, 2, 3 etc) + ENT key 4. Press ENT to end and allow system to finish arming (Bypassed zones will flash slowly on display)
Force Bypass	1. Open door or window 2. Arm system with either User Code + ENT or COMMAND + 1, 2 or 3) 3. Keypad beeps indicating Zone is open 4. Press COMMAND + ENT to force bypass (A forced bypassed zone <u>may</u> arm with rest of system if closed)
Door Chimes	COMMAND + 6 to turn On or Off
Alarm Memory	There is no Alarm Memory
Phone Test	COMMAND + 4 + 1 (If Phone test good system sounds 2 second tone)
System Test	COMMAND + 4 + 4 (Press any key to end test)

User Codes

User Codes can be 3 or 5 digits in length, if old code is 5 digits new code must be 5 digits

The 1st digit of New User Code must be the same as the Old User Code

Do not make last digit 0 if using duress code

Add Code	(Customer may change an existing code but cannot add a new one) 1. Press COMMAND + 5 (The COMMAND light will turn on) 2. Enter User Code you want to change + ENT key 3. Enter the new User Code + ENT key 4. Enter new User Code again + ENT key (The COMMAND light will turn off)
----------	---

Duress Code One number above any User Code

Trouble Display

If system has a trouble it will sound a steady tone, press Command + 4 to try to reset

AC Power Light - On =Normal, Flashing = AC Power Failure

Reset Alarm - Disarm system, press COMMAND 4 to stop keypad flashing and reset system

Trouble Messages - (Alpha only)

Message	Cause
Diagnostic Prgmr Comm Err	Bad connection to programmer (for installers)
Diagnostic Device Comm Err	Noisy Environment or excessive wire length
Diagnostic Report Failed	Communication Failure
Diagnostic Telco Service	Phone Cord Unplugged or Phone service down
Diagnostic Aux Power	Short on Aux devices or wiring
Diagnostic AC Power Failure	AC Power Failure
Diagnostic Low Battery	Low Battery (Duh)
Diagnostic Keypad Wiring	Faulty keypad wiring
Diagnostic Hardware Fail	Internal Main Board failure
Diagnostic Missing Ser Device	Wiring problem
Diagnostic Device Prog Err	Serial device does not match program
Diagnostic Int Software	Internal Memory Failure
Diagnostic Checksum Fail	EEPROM Failure (Internal Panel)
Diagnostic Rom Fail	Internal Panel failure
Diagnostic System Normal	Nothing wrong, no fault found