

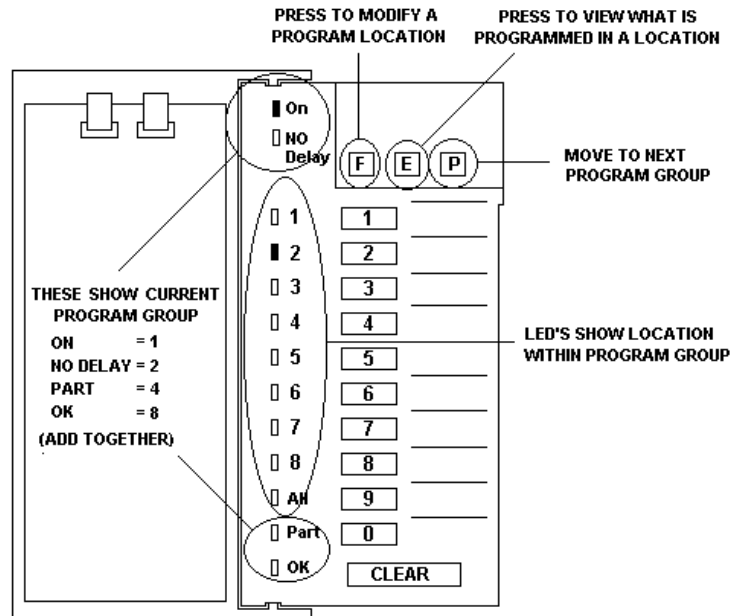
# Radionics D2112 Program Sheet

Programmable by Downloading, 5200 Programmer or by Keypad

<b>Enter Program</b>	<ol style="list-style-type: none"> <li>1. Clip Standby switch on main board</li> <li>2. Press 1, keypad should beep</li> <li>3. Enter Installer Code (Default=654321, if Protect America use 1010) (If Customer uses a 4-digit Code then Installer Code is only 4-digits)</li> <li>4. Press 8 to enter program mode</li> </ol>		
<b>Program Steps</b>	<ol style="list-style-type: none"> <li>1. Move to Program Group (1 to 13) by pressing Right Panic key</li> <li>2. Use Number keys to select Location in Group (1 to 8), Zone light shows location</li> <li>3. To view a Location press Middle Panic key, number lights will flash Value</li> <li>4. Press Left Panic key to modify Location, Zone light will flash, enter data</li> <li>5. Press Left Panic key again to save Location, Zone light will stop flashing</li> <li>6. Use Number keys to select next Location or Right Panic for next Group</li> </ol>		
<b>Delete Location</b>	Press CLEAR while in a Location		
<b>Hex Program</b>	While modifying a Location C+2=A, C+3=B, C+4=C, C+5=D, C+6=E, C+7=F		
<b>Exit Program</b>	Press CLEAR key, all Zone lights except 4 will turn ON, unclip Standby Switch (System will now send a Reboot (R14) signal)		
<b>Report Codes</b>	Zone 1	31	Successful Download 81
	Zone 2	32	Restore after Com Fail 82
	Zone 3	33	Panel Reset Standby Sw 83
	Zone 4	34	Aux Power/Fuse Restore 84
	Zone 5	35	Siren Trouble/Fuse Restore 85
	Zone 6	35	Missing Battery Restore 86
	Zone 7	37	Low Battery Restore 87
	Zone 8	38	AC Failure Restoral 88
	Smoke Alarm	11 to 18	Comm Restoral Phone 1 89
	Smoke Trouble	61 to 68	Comm Restoral Phone 2 8B
	Keypad Fire Panic	91	RF Tamper Restoral 8C
	Keypad Medical Panic	92	RF Low Battery Restoral 8D
	Keypad Police Panic	93	RF Receiver 7 Restoral 8E
	6 wrong Codes entered	94	RF Receiver 8 Restoral 8F
	Duress	95	
	Opening	5 + User	Unsuccessful Download 71
	Closing	4 + User	Automatic Test Timer 72
	Part ON Arming (Closing)	50	Automatic Reset 73
	All ON Arming (Closing)	40	Aux Power Trouble/Fuse Open 74
			Siren Trouble/Fuse Open 75
			Missing Battery Trouble 76
	Service Stop	E6*	Low Battery 77
	Service Start	E7*	AC Failure 78
	Test Report	E8*	Comm Fail Phone 1 79
			Comm Fail Phone 2 7B
			RF Tamper 7C
			RF Low Battery 7D
			RF Receiver 7 Trouble 7E
			RF Receiver 8 Trouble 7F

# Radionics D2112 Program Sheet

## TYPICAL 2112 LED KEYPAD



THIS KEYPAD SHOWS YOUR IN PROGRAM GROUP 1, LOCATION 2 WHICH IS PHONE NUMBER 1

### 1. Account Group

- |   |                       |                   |
|---|-----------------------|-------------------|
| 1 Account (4-digits)                      |                       |                   |
| 2 Phone 1 (19 digits)                     |                       |                   |
| 3 Phone 2 (19 digits)                     |                       |                   |
| 4 Download Phone                          |                       |                   |
| 5 Download Passcode                       | 9   9   9   9   9   9 |                   |
| 6 Installer Code                          | 6   5   4   3   2   1 |                   |
| 7 Account Group Lock<br>(Locks out Panel) | 0                     | 0 = No<br>1 = Yes |
| 8 Return to Default<br>(Defaults Panel)   | 0                     | 0 = No<br>1 = Yes |

<input checked="" type="checkbox"/> On
<input type="checkbox"/> NO Delay
<input type="checkbox"/> All
<input type="checkbox"/> Part

### 2. Phone Group

- |  |    |                                    |
|--|----|------------------------------------|
| 1 DTMF Dialing                                       | 1  | 0 = No<br>1 = Yes                  |
| 2 Answer w/Armed*                                    | 5  | Rings 5 times if Armed             |
| 3 Answer w/Disarmed*                                 | 15 | Rings 15 times if Disarmed         |
| 4 Answer Machine                                     | 1  | 0 = No<br>1 = Yes                  |
| *Locations 2 and 3 are disabled if Location 4 = Yes) |    |                                    |
| 5 Program Lock<br>(Locks out Panel)                  | 0  | 0 = No (Always use No!)<br>1 = Yes |

<input type="checkbox"/> On
<input checked="" type="checkbox"/> NO Delay
<input type="checkbox"/> All
<input type="checkbox"/> Part

# Radionics D2112 Program Sheet

## 3. Receiver Format Group

- 1 Receiver Format | 0 |
- 2 Fire Group | 1 |
- 3 Non-Fire Group | 3 |
- 4 Point Trouble Group | 6 |
- 5 Restoral Group | 0 |
- 6 Closing Group | 0 |
- 7 Opening Group | 0 |
- 8 Cancel Group | 0 |

- 0 = Pulse 4/2 format
- 1 = Modem II
- 1st digit of Fire Points 1 to 8 and Fire Panics
- 1st digit of Non-Fire Points, and Non-Fire Panics
- 1st digit of Trble/Bypass/Swinger on Points 1 to 8
- 1st digit of Restoral on Fire/Non Fire Points 1 to 8
- 1st digit of Closing Report, if needed use 4
- 1st digit of Opening Report, if needed use 5
- 1st digit of Cancel Report for Users 1 to 8

<input type="checkbox"/> On
<input type="checkbox"/> NO Delay
<input type="checkbox"/> All
<input type="checkbox"/> Part

## 4. Report Group for Pulse

- 1 Sys Trbl Group | 7 |

You program 1st digit  
Panel sends it + what  
is listed to the right  
(Ex: Low Battery sends 77)

- 6 = Report Battery Missing

- 1 = Unsuccessful Download Attempt
- 2 = Automatic Test Timer Report
- 3 = Automatic Reset
- 4 = Short on Terminal 9, Aux Power, Fuse Open
- 5 = Short on Terminal 6, Alarm Output, Fuse Open
- 7 = Report Low Battery
- 8 = No AC Power

<input type="checkbox"/> On
<input type="checkbox"/> NO Delay
<input type="checkbox"/> All
<input type="checkbox"/> Part

- 2 Sys Restore Group | 8 |

You program 1st digit  
Panel sends it + what  
is listed to the right  
(Ex: Low Bat Rest sends 87) 6 = Not Used

- 1 = Successful Download Attempt
- 2 = Successful Communication after Com Failure
- 3 = Panel Reset with Stand-By Switch
- 4 = Short Removed from Terminal 9, Aux Power Rest
- 5 = Short Removed from Terminal 6, Alarm Output
- 7 = Report Missing or Low Battery Restoral
- 8 = AC Power Restoral

- 3 Duress Rep Code | 9 |

- 4 = Report after 6 invalid Passcoda attempts
- 5 = Duress Code 8 entered at Keypad

## 5. Reports Group

- 1 Delay Alarm Reports | 0 |
- 2 Cancel Report | 0 |
- 3 Restoral Reports | 0 |
- 4 Delay Rest Reports | 0 |
- 5 AC Fail Buzz/Reports | 1 |

- 0 to 255 second Delay before Dial
- 0 = No
- 1 = Yes
- 0 = No
- 1 = Yes
- 0 = No
- 1 = Yes
- 0 = No Buzzer or Report on AC Fail
- 1 = Buzzer no Report
- 2 = Buzzer and Report
- 3 = Buzzer, Tag-Along Report  
(sends with next Alarm/Trouble)

<input type="checkbox"/> On
<input type="checkbox"/> NO Delay
<input type="checkbox"/> All
<input type="checkbox"/> Part

## 6. System Options Group

- 1 Disable System | 0 |  
(Can only re-enable by 5200, DO NOT USE)
- 2 Excursion | 3 |
- 3 Keyswitch | 0 |

- 0 = No
- 1 = Yes
- 0 = Disabled
- 1 = All Inst
- 2 = Part Inst
- 3 = All & Part
- 0 = Momentary
- 1 = Easikey, Momentary

<input type="checkbox"/> On
<input type="checkbox"/> NO Delay
<input type="checkbox"/> All
<input type="checkbox"/> Part

# Radionics D2112 Program Sheet

## 7. Open Close Group

- |   |    |                   |
|---|----|-------------------|
| 1 Entry Delay Time  | 30 | 0 to 255 seconds  |
| 2 Exit Delay Time   | 60 | 0 to 255 seconds  |
| 3 Exit Tone   | 1  | 0 = No<br>1 = Yes |
| 4 Op/CL Rep ALL On<br>(Open/Close Report if ALL (9) armed)        | 0  | 0 = No<br>1 = Yes |
| 5 Op/CI Rep PART On<br>(Open/Close Report if PART (0) armed)      | 0  | 0 = No<br>1 = Yes |
| 6 Restricted Op/Close<br>(Opening Report if disarmed after alarm) | 0  | 0 = No<br>1 = Yes |
| 7 Bell Test (on Arm)  | 0  | 0 = No<br>1 = Yes |

<input checked="" type="checkbox"/> On
<input checked="" type="checkbox"/> NO Delay
<input checked="" type="checkbox"/> All
<input type="checkbox"/> Part

## 8. A B C Keys Group

- |                            |    |   |
|----------------------------|----|---|
| 1 A Key Report (Police)    | 93 | 0 to 9  |
| 2 B Key Report (Medical)   | 92 | 0 to 9  |
| 3 C Key Report (Fire)      | 91 | 0 to 9  |
| 4 A (Police) Panic Output  | 1  | 0 = No Output<br>1 = Steady Output<br>2 = Pulsed Output |
| 5 B (Medical) Panic Output | 0  | 0 = No Output<br>1 = Steady Output<br>2 = Pulsed Output |
| 6 C (Fire) Panic Output    | 2  | 0 = No Output<br>1 = Steady Output<br>2 = Pulsed Output |

<input type="checkbox"/> On
<input type="checkbox"/> NO Delay
<input type="checkbox"/> All
<input checked="" type="checkbox"/> Part

## 9. Bell & Test Timer Group

- |                          |   |  |
|--------------------------|---|--|
| 1 Bell Output Time       | 6 | 0 to 255 Minutes   |
| 2 Single Ring            | 1 | 0 = Outputs Every Alarm<br>1 = 1 Output per Alarm Period |
| 3 Alarm on 2 Fail        | 0 | 0 = No<br>1 = Alarm on 2 Failed Report Attempts          |
| 4 Test Interval          | 0 | 0 = No<br>1 = 1 Day<br>2 = 7 Days<br>3 = 28 Days         |
| 5 Hours to Next Test Rpt | 0 | 0 to 23 Hours  |
| 6 Min to Next Test Rpt   | 0 | 0 to 59 Minutes  |
| 7 Defer Test Report      | 0 | 0 = No<br>1 = Yes  |

<input checked="" type="checkbox"/> On
<input type="checkbox"/> NO Delay
<input type="checkbox"/> All
<input checked="" type="checkbox"/> Part

# Radionics D2112 Program Sheet

## 10. Point Codes

	Default		
1 Point 1	2	6	0
2 Point 2	8	8	2
3 Point 3	8	8	2
4 Point 4	9	8	2
5 Point 5	7	8	2
6 Point 6	7	8	2
7 Point 7 (D2112E only)	7	8	1
8 Point 8 (D2112E only)	7	8	1

Most Common are  
 Delay Door = 882  
 Instant Door = 982  
 Motion Zone = 782  
 Fire (Verified) Zone = 260  
 Audible Panic Zone = 420  
 Silent Panic Zone = 520  
 Disabled Zone = 000

<input type="checkbox"/> On
<input checked="" type="checkbox"/> NO Delay
<input type="checkbox"/> All
<input checked="" type="checkbox"/> Part

### 1st Digit = Zone Type

- |                              |   |
|------------------------------|---|
| 1 = Fire Zone                | 6 = Delay Zone, Active only in ALL Arm    |
| 2 = Fire Zone w/Verification | 7 = Interior Follower/Motion Zone         |
| 3 = Buzzer on Fault          | 8 = Delay Zone, active in ALL or PART Arm |
| 4 = 24 Hr Audible            | 9 = Instant Zone                          |
| 5 = 24 Hr Silent             | A = Keyswitch                             |

### 2nd Digit = Alarm Response

- 0 = No Response
- 1 = Report Enabled
- 2 = Report Enabled/Alarm Report Delay
- 3 = Report Enable/Alarm Rep Delay/Swinger Shutdown
- 4 = Report Enabled/Swinger Shutdown
- 5 = Alarm Output
- 6 = Report Enabled/Alarm Output
- 7 = Report Enabled/Alarm Report Delay/Alarm Output
- 8 = Report Enabled/Alarm Report Delay/Swinger Shutdown/Alarm Output
- 9 = Report Enabled/Swinger Shutdown/Alarm Output

### 3rd Digit = Special Point (Zone) Options

- 0 = Disabled
- 1 = Trouble on Open
- 2 = Trouble on Short
- 3 = Trouble on Open or Short
- 4 = Double Knock (2 Violations before Alarm)
- 5 = Trouble on Open/Double Knock
- 6 = Trouble on Short/Double Knock
- 7 = Trouble on Open or Short/Double Knock

## 11. Relays

	Default
1 Relay 1 Func 1	0
2 Relay 1 Func 2	0
3 Relay 2 Func 1	0
4 Relay 2 Func 2	0

- 0 = No Relay Output
- 1 = Alarm
- 2 = Alarm Memory
- 3 = Point Trouble
- 4 = Follow Point
- 5 = Watch Tone
- 6 = A, B, C Keys Steady Relay Output
- 7 = A, B, C Keys Momentary Relay Output
- 8 = A, B, C Keys Momentary Relay Output
- 9 = Off with Passcode
- 10 = Follow Alarm Output
- 11 = Pulses during E/E if ALL ON, on until Disarm
- 12 = Pulses during E/E if PART ON, on until Disarm
- 13 = Activate 4 seconds if User Resets system

<input checked="" type="checkbox"/> On
<input checked="" type="checkbox"/> NO Delay
<input type="checkbox"/> All
<input checked="" type="checkbox"/> Part

# Radionics D2112 Program Sheet

## 12. Relay Parameter Group

1 Relay 1, Function 1 | 0 |

2 Relay 1, Function 2 | 0 |

3 Relay 2, Function 1 | 0 |

4 Relay 2, Function 2 | 0 |

5 Relay 1 Logic | 0 |

5 Relay 2 Logic | 0 |

Requires D133 Relay Module

- 0 = No Output/Disabled
- 1 = Alarm
- 2 = Alarm Memory
- 3 = Point Trouble
- 4 = Follow Point
- 5 = Watch Tone
- 6 = A B C Key (Steady Output)
- 7 = A B C Key (Pulsed Output)
- 8 = A B C Key (Momentary Output)
- 9 = Off with Passcode
- 10 = Follow Alarm Output
- 11 = All On
- 12 = Part On
- 13 = Reset
- 14 = AC Failure
- 15 = Battery Trouble
- 16 = Communication Fail
- 17 = Communicating
- 18 = Ground Start
- 0 = Function 1 Only
- 1 = Function 1 or 2
- 2 = Function 1 and 2

<input type="checkbox"/> On
<input type="checkbox"/> NO Delay
<input checked="" type="checkbox"/> All
<input checked="" type="checkbox"/> Part

## 13. User Config Group

1 User Test/Bell? | 1 |

2 User Test/Battery? | 1 |

3 User Test/Comm? | 1 |

4 Passcode Length | 4 |

5 User Code 8 is Duress | 1 |

6 Passcode Required | 0 |

7 Change Passcode | 1 |

- 0 = No
- 1 = Yes
- 0 = No
- 1 = Yes
- 0 = No
- 1 = Yes
- 3 = 3-Digit User Codes
- 4 = 4-Digit User Codes
- 5 = 5-Digit User Codes
- 6 = 6-Digit User Codes
- 0 = No
- 1 = Yes
- 0 = No Code Required to Arm
- 1 = Code Required to Arm
- 0 = No User Code changing Allowed
- 1 = Owner changes User Code
- 2 = Owner or User changes User Code

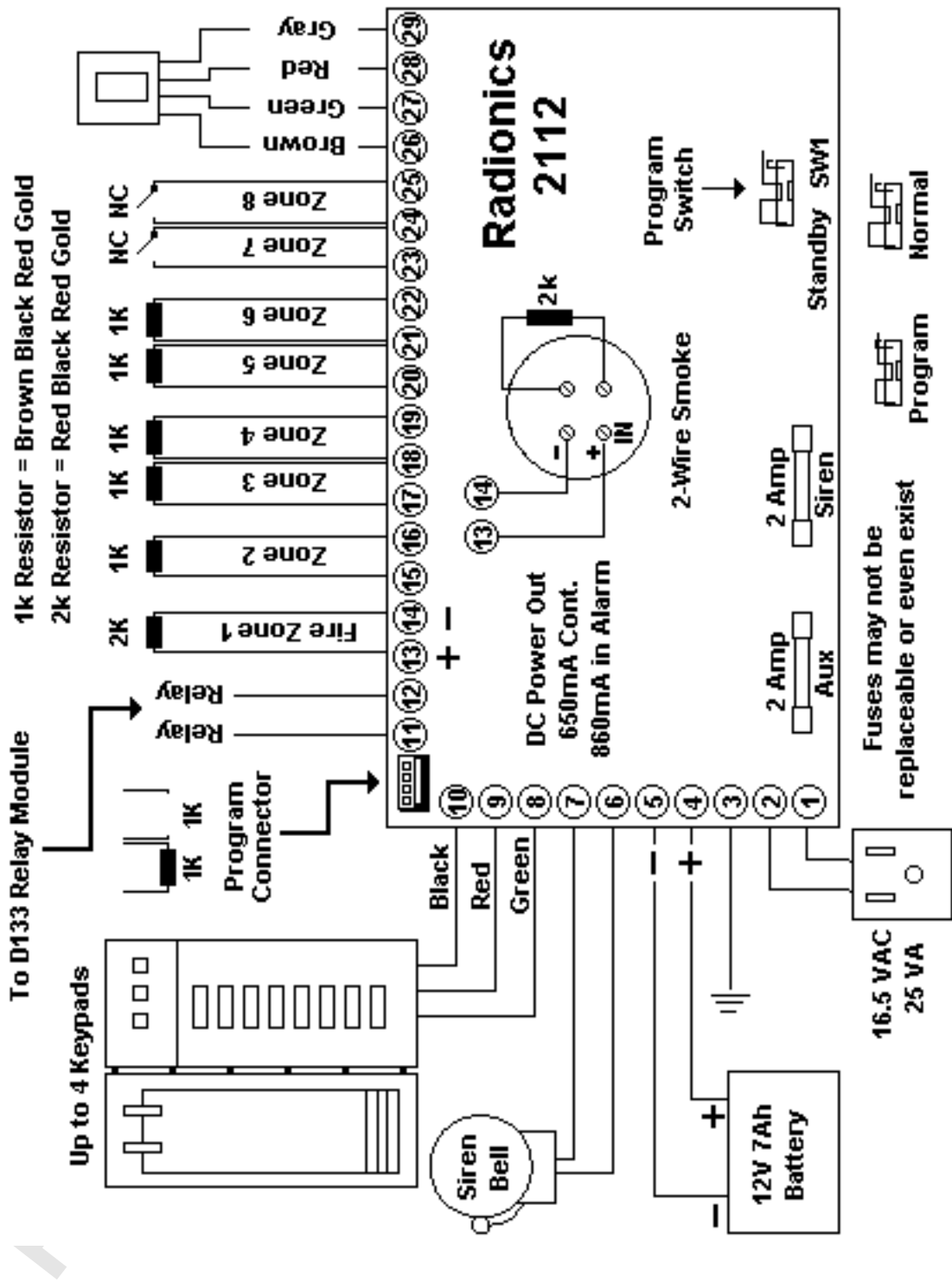
<input checked="" type="checkbox"/> On
<input type="checkbox"/> NO Delay
<input checked="" type="checkbox"/> All
<input checked="" type="checkbox"/> Part

## 14. Passcodes Group (Only available with 5200 Program or by Downloading!)

1 User # Type Disabled/Owner/User/One-Time

2 User # Passcode

# Radionics D2112 Program Sheet



## Radionics D2112 Program Sheet

<b>Battery</b>	12 volt rechargeable Gel-Cell inside main panel AC Transformer = 16.5 volts, screwed into outlet somewhere in house	
<b>Wireless</b>	No	
<b>Downloadable</b>	Yes	
<b>Panic Panic</b>	Police (A key), Fire (B key) and Medical (C key)	
<b>Arm Away</b>	Press 9 Key ALL & ON & Zone Lights turn ON	(Arms all Zones)
<b>Arm Stay</b>	Press 0 Key PART & ON Lights turn ON	(Arms all but Motions)
<b>Instant Arm</b>	Press 9 (ALL) or 0 (PART) key twice	(No Delay Light turns ON)
<b>Disarm</b>	Enter User Code, If wrong code is entered press CLEAR and start again	
<b>Flashing OK</b>	Alarm Memory, Arm then Disarm or press 3 + User Code to reset and clear	
<b>Alarm Memory</b>	Press 4 then hold 6 key, last alarm should show, press CLEAR to exit	
<b>Reset Alarm</b>	3 + User Code	
<b>Reset Smoke</b>	3 + User Code (If this does not work power down system and set for service)	
<b>Silence Trouble</b>	Press CLEAR Key once	
<b>Bypass</b>	1. Arm system 9 (ALL) or 0 (PART), ON light and all Zone Lights will turn on 2. Press Zone to bypass (1 to 8), bypassed zone turns off and finish arming	
<b>Enable Chime</b>	1. Press 7 (WATCH TONE)	(Keypad gives 1 beep)
	2. Enter Owners Passcode	(Keypad gives 1 beep)
	3. Press 1 to 4 for Chime Option (see below)	(Selected option 1 to 4 turns ON)
	1 = Zone lights but no sound (Chime Disabled)	
	2 = Zone lights, keypad sounds short beep (This one works best)	
	3 = Zone lights, keypad sounds until CLEAR pressed (don't do this one)	
	4 = Zone lights, keypad sounds until Zone closed or CLEAR pressed	
	4. Press CLEAR to exit	
<b>Choose Zones to Chime (Optional)</b>	1. Press 8 (WATCH POINTS)	(Keypad beeps)
	2. Enter Owners Passcode (Master)	(Keypad beeps)
	3. Press Zones to chime (1 to 8)	(Zone Light ON = Chime)
	4. Press CLEAR to exit	
<b>Battery Test</b>	1 + User Code	(System will test battery for 4 minutes, if trouble keypad will sound tone)
If system has a problem a Trouble tone will sound and OK Light will blink		
<b>View Trouble</b>	Press 4 Key and a zone light will appear	
	Zone Light 1 = Fire Trouble,	(Hold 1 key to silence)
	Zone Light 2 = Zone Trouble	(Hold 2 key to silence)
	Zone Light 3 = AC Power Failure	
	Zone Light 4 = Fail to Communicate	
	Zone Light 5 = Low Battery	
	Zone Light 6 = Alarm Memory	(Hold 6 key to view last alarm)
<b>Flashing OK</b>	Alarm Memory, Arm then Disarm or press 3 + User Code to clear	
<b>Alarm Memory</b>	Press 4 then hold 6 key, last alarm should show, press CLEAR to exit	
<b>Reset Alarm</b>	Press 3 Key + User code, reset takes 20 seconds (If this does not work power down system and set for service)	
<b>Silence Trouble</b>	Press CLEAR Key once	



# Radionics D2112 Program Sheet

User Codes divided into 3 types

Owner Passcode (Master Code)

User Code (Standard Code)

Temp Code (only can be used one time)

Hostage Code            User 8 (if enabled)

Owner Changing Code            (You may have to set Authority level at bottom of page)

- (Master Code)
1. With system disarmed press 6 Key
  2. Enter Owner (Master) Code + 0
  3. Enter User Number to change (1 to 8)
  4. Enter New User Code (must be same number of digits as old Code)
  5. Enter New User Code again (keypad sounds tone, press CLEAR to exit)

User Changing Own Code            (Usually not enabled)

1. With system disarmed press 5 Key
2. Enter current User Code, system will sound tone and change display
3. Enter New User Code (it must be same number of digits as old Code)
4. Enter New User Code again, system should exit

Show Authority            (Different codes can do certain functions)

1. Press 6 + Owner Passcode (User Codes 1 to 8 show as Zone lights 1 to 8)
  - Flashing Zone Light            = Code is Owner (Master) Passcode
  - Winking Zone Light            = Code is Standard User Passcode
  - Steady Zone Light            = Code is One Time User Passcode
  - Zone Light OFF            = No Passcode programmed in that location
2. Press CLEAR Key to exit

Change Authority            Press 6 + Owner Passcode

- Press keys 1 to 8 to toggle individual codes 1 to 8 to desired level
- Flashing Zone Light            = Owner (Master) Passcode
  - Winking Zone Light            = Standard User Passcode
  - Steady Zone Light            = One Time User Passcode
  - Zone Light OFF            = Passcode disabled
2. Press CLEAR Key to exit

Disable User Code            (Codes cannot be erased but can be disabled)

1. Press 6 + Owner Passcode  
(User Codes will show as zone lights and will be on or flash)
2. Select User Passcode to disable (1 to 8)
3. Continue to press that key until zone light turns off
4. Press CLEAR Key to exit

Renew Temp Code (Babysitter code for example)

1. Press 6 Key + Owner User Passcode
2. Press 9 Key