

Moose ZX400-ZX410 Program Sheet

- Formats** Contact ID or 4/2 (Contact ID preferred)
- Enter Program** 9 + 9632 + 3 or power down & up and press 9 then 9999 in 60 seconds
- Options**
- 9 + Installer Code + 1 = Answer Download Request
 - 9 + Installer Code + 2 = Future Use
 - 9 + Installer Code + 3 = Enter Installer Programming
 - 9 + Installer Code + 4 = Future Use
 - 9 + Installer Code + 5 = Program User Codes
 - 9 + Installer Code + 6 = Reset to Factory Defaults
 - 9 + Installer Code + 7 = Set Hours until next Communicator Test
 - 9 + Installer Code + 8 = Call Download Computer
 - 9 + Installer Code + 9 = Program RF Sensors
- Move to Location** 3-Digit Location + ENTER
- Enter Data** 1 to 3 digit Value + ENTER to save and ENTER again to move to next
(To program phone use 1 ENTER ENTER 8 ENTER ENTER 0 ENTER ENTER etc)
- ENTER Key** Saves new value in a Location
If no new value is entered in a Location will move to next Location
- CLEAR Key** If pressed in Location after entering new value erases and reverts to old values
If pressed in Location and no new values entered will exit to top program level
- MEDICAL Panic** Moves to previous Program Location
- OFF/CANCEL** Press and hold to display current programming in Location
- Exit Program** Press CLEAR twice
- Hex Program** 10 = A 11 = B 12 = C 13 = D 14 = E 15 = F

AREA 1

LOC	FEATURE		OPTIONS
1	Away Exit Delay Time	60	0 to 255 Seconds
2	Stay/Night Exit Delay Time	60	0 to 255 Seconds
3	Entry Delay 1 Time	20	0 to 255 Seconds
4	Entry Delay 2 Time	40	0 to 255 Seconds
5	Pre-Alarm Time	0	0 to 255 Seconds
6	B Key (Police) Alarm Output	2	0 = No Sounder Output
7	C Key (Medical) Alarm Output	1	1 = Keypad Sounder Only 2 = Keypad Sounder + Bell Output
8	Closing Bell Ringback	0	0 = Ringback Output 1 = Ringback Output and Keypads 2 = Ringback Output, Bell & Keypads
9	Burglar Audible Lockout	0	0 to 15 Alarms for Area (0 = Disabled)
10	Swinger Shunt	0	0 to 15 Zone Violations (0 = Disabled)
11	Area Attributes (see below)	09	(Don't worry about this section)

AREA 2

12	Away Exit Delay Time	60	0 to 255 Seconds
13	Stay/Night Exit Delay Time	60	0 to 255 Seconds
14	Entry Delay 1 Time	20	0 to 255 Seconds
15	Entry Delay 2 Time	40	0 to 255 Seconds
16	Pre-Alarm Time	0	0 to 255 Seconds
17	B Key (Police) Alarm Output	2	0 = No Sounder Output
18	C Key (Medical) Alarm Output	1	1 = Keypad Sounder Only 2 = Keypad Sounder + Bell Output
19	Closing Ringback	0	
20	Burglar Audible Lockout	0	
21	Swinger Shunt	0	
22	Area Attributes	09	

Moose ZX400-ZX410 Program Sheet

Keypad Attributes	Loc	Default
Keypad 1 LED	23	1C
	24	5
Keypad 2 LED	25	1C
	26	5
Keypad 3 SSD	27	1C
	28	5
Keypad 4 SSD	29	1C
	30	5
Keypad 5 LCD/VFD	31	1C
	32	5
Keypad 6 LCD/VFD	33	1E
	34	5

Zone	Zone Type		Area Expansion Zone		Burg Zn Attribute		Zone Attribute		Loc	Default
	Loc	Default	Loc	Default	Loc	Default	Loc	Default		
Zone 01	35	1	36	1			37	0D	38	37
Zone 02	39	1	40	1			41	03	42	37
Zone 03	43	1	44	1			45	03	46	37
Zone 04	47	1	48	1			49	0C	50	37
Zone 05	51	1	52	1			53	0C	54	37
Zone 06	55	1	56	1			57	0C	58	37
Zone 07	59	1	60	1			61	0C	62	37
Zone 08	63	1	64	1			65	0C	66	37
Zone 09	67	1	68	1			69	0C	70	37
Zone 10	71	1	72	1			73	0C	74	37
Zone 11	75	1	76	1			77	0C	78	37
Zone 12	79	1	80	1			81	0C	82	37
Zone 13	83	1	84	0	85	0	86	0C	87	37
Zone 14	88	1	89	0	90	0	91	0C	92	37
Zone 15	93	1	94	0	95	0	96	0C	97	37
Zone 16	98	1	99	0	100	0	101	0C	102	37
Zone 17	103	1	104	0	105	0	106	0C	107	37
Zone 18	108	1	109	0	110	0	111	0C	112	37
Zone 19	113	1	114	0	115	0	116	0C	117	37
Zone 20	118	1	119	0	120	0	121	0C	122	37
Zone 21	123	1	124	0	125	0	126	0C	127	37
Zone 22	128	1	129	0	130	0	131	0C	132	37
Zone 23	133	1	134	0	135	0	136	0C	137	37
Zone 24	138	1	139	0	140	0	141	0C	142	37
Zone 25	143	1	144	0	145	0	146	0C	147	37
Zone 26	148	1	149	0	150	0	151	0C	152	37
Zone 27	153	1	154	0	155	0	156	0C	157	37
Zone 28	158	1	159	0	160	0	161	0C	162	37
Zone 29*	163	0							164	63
Zone 30**	165	2							166	63

* Zone 29 is the 2-Wire Smoke Zone on Expander Module

** Zone 30 is the 2-Wire Smoke Zone on the Control Board

Zone Type

- 0 = Not Used
- 1 = Burglar
- 2 = 24 Hr Fire
- 3 = 24 Hr Holdup
- 4 = 24 Hr Auxiliary
- 5 = Momentary Keyswitch (ARM AWAY/Disarm)
- 6 = 24 Hr Communicator
- 7 = 24 Hr Burglar Tamper
- 8 = Universal
- 9 = Universal Logged
- 10 = Verified Fire
- 11 = Fire Supervisory
- 12 = Listen-In Module Input

Area

- 0 = Disable
- 1 = Area 1
- 2 = Area 2

Burg Zn Attribute

- 1st Digit
- 0 = Standard Zone
- 1 = Chime Always

Zone Attribute

- 1st Digit
- 1 = No EOL
- 3 = EOL

Expansion

- 0 = ZXEXP Zone
- 1 = RF Gateway 1 Zone
- 2 = RF Gateway 2 Zone
- 3 = ZEM Zone

2nd Digit

- D = Delay 1
- C = Instant
- 3 = Interior/Follower

2nd Digit

Moose ZX400-ZX410 Program Sheet

User Code Options

User	USER CODE				AUTHORITY LEVEL			AREA		
	Default				Loc	Default		Loc	Default	
User 01	1	2	3	4	167	10	3 = Arm Only	168	1	0 = Disabled
User 02	0	0	0	0	169	6	6 = Standard	170	1	1 = Area 1
User 03	0	0	0	0	171	6	10 = Master	172	1	2 = Area 2
User 04	0	0	0	0	173	6	13 = Duress	174	1	3 = Both
User 05	0	0	0	0	175	6		176	1	
User 06	0	0	0	0	177	6		178	1	
User 07	0	0	0	0	179	6		180	1	
User 08	0	0	0	0	181	6		182	1	
User 09	0	0	0	0	183	6		184	1	
User 10	0	0	0	0	185	6		186	1	
User 11	0	0	0	0	187	6		188	1	
User 12	0	0	0	0	189	6		190	1	
User 13	0	0	0	0	191	6		192	1	
User 14	0	0	0	0	193	6		194	1	
User 15	0	0	0	0	195	6		196	1	
User 16	0	0	0	0	197	6		198	1	
User 17	0	0	0	0	199	6		200	1	
User 18	0	0	0	0	201	6		202	1	
User 19	0	0	0	0	203	6		204	1	
User 20	0	0	0	0	205	6		206	1	
User 21	0	0	0	0	207	6		208	1	
User 22	0	0	0	0	209	6		210	1	
User 23	0	0	0	0	211	6		212	1	
User 24	0	0	0	0	213	6		214	1	
User 25	0	0	0	0	215	6		216	1	
User 26	0	0	0	0	217	6		218	1	
User 27	0	0	0	0	219	6		220	1	
User 28	0	0	0	0	221	6		222	1	
User 29	0	0	0	0	223	6		224	1	
User 30	0	0	0	0	225	6		226	1	
User 31	0	0	0	0	227	6		228	1	
User 32	0	0	0	0	229	6		230	1	
User 33	0	0	0	0	231	6		232	1	
User 34	0	0	0	0	233	6		234	1	
User 35	0	0	0	0	235	6		236	1	
User 36	0	0	0	0	237	6		238	1	
User 37	0	0	0	0	239	6		240	1	
User 38	0	0	0	0	241	6		242	1	
User 39	0	0	0	0	243	6		244	1	
User 40	0	0	0	0	245	6		246	1	
User 41	0	0	0	0	247	6		248	1	
User 42	0	0	0	0	249	6		250	1	
User 43	0	0	0	0	251	6		252	1	
User 44	0	0	0	0	253	6		254	1	
User 45	0	0	0	0	255	6		256	1	
User 46	0	0	0	0	257	6		258	1	
User 47	0	0	0	0	259	6		260	1	
User 48	0	0	0	0	261	6		262	1	
User 49	0	0	0	0	263	6		264	1	
User 50	0	0	0	0	265	10		266	3	

Moose ZX400-ZX410 Program Sheet

Outputs

	Default	
268 Output 01 (see wire diagram)	1	(use 28 if trigger for 2-way)
0 = Not Used	19 = Exit Time	
1 = Fire Alarm	20 = Entry Time	
2 = Fire Supervisory	21 = Pre-Alarm Warning Time	
3 = Duress	22 = Annunciation	
4 = Low Battery	23 = Auto-Arm Warning	
5 = Failed to Comm	24 = Closing Ringback	
6 = Telco Line Fault	25 = Trouble	
7 = Telco Line Seized	26 = Chime	
8 = Ground Start	27 = Universal	
9 = Burglar Alarm	28 = Listen-In Module Output	
10 = Hold-up Alarm	29 = Lamp Trigger	
11 = Auxiliary Alarm	30 = Key 4 Output	
12 = Bell Output Trigger	31 = Key 5 Output	
13 = Violation	32 = Key 6 Output	
14 = Ready	33 = RF Annunciator	
15 = Armed AWAY	34 = Access by Keypad	
16 = Armed STAY	35 = Quick Access by Keypad	
17 = Armed NIGHT	101 - 130 = Zone (1 to 30) Violated	
18 = Armed and Exit Time Expired	201 - 230 = Zone (1 to 30) In Alarm or Senior Watch	
269 Output 01 area of operation	1	(use 3 if 2-way)
		1 = Area 1 (for Output Conditions 34 & 35)
		2 = Area 2 1 = Control Station 1
		3 = Both 2 = Control Station 2
		4 = Control Station 3
		8 = Control Station 4
		16 = Control Station 5
		32 = Control Station 6

Misc. System Functions

310 Fire Cutoff Time	0	0 to 255 Min (0 = No Cutoff)
311 Burglar Cutoff Time	10	0 to 255 Min (0 = No Cutoff)
312 Holdup Cutoff Time	10	0 to 255 Min (0 = No Cutoff)
313 Aux Cutoff Time	10	0 to 255 Min (0 = No Cutoff)
314 Universal Output Time	0	0 to 255 Sec (0 = Toggle ON)
315 Delay Before Dial	0	0 to 255 Sec (0 = No Delay)
316 Fire Delay Before Dial	0	0 to 255 Sec (0 = No Delay)
317 AC Failure Delay	30	0 to 255 Min
318 Senior Watch Time (Delinquency)	24	0 to 42 Hrs
319 System Attributes	31	00 to FF
320 Passcode Attempts	8	1 to 15 Attempts (0 = No Lock)
321 AC Cycles	0	0 = 60Hz, 1 = 50Hz

Receiver Phone Programming

322 Enable Communicator	1	0 = No, 1 = Yes
323 Enable Skip Test	0	0 = No, 1 = Yes
324 Power-Up Comm Test	0	0 = No, 1 = Yes
325 Disable Call Waiting	0	0 = No, 1 = Yes
323-327 Comm Test Time of Day (hr:min)	00:00	00:00 to 23:59
328 Days Between Communicator Tests	0	0 to 255 Days (0 = Disable)
329 Time between Calls	5	0 to 255 Seconds
330 T1 Transmission Format	3	0 = Pulsed 20 Baud, Non-Extended
331 T2 Transmission Format	3	1 = Pulsed 20 Baud, Extended
		2 = Pulsed 40 Baud Extended
		3 = Contact ID
		4 = Pager (T2 Phone Only)
332 Dialer Type	1	0 = Pulse, 1 = Tone, 2 = Euro Pulse
333 T1 Dial Attempts	5	1 to 15 Attempts
334 T2 Dial Attempts	5	1 to 15 Attempts
335 On-Hook Time	5	1 to 15 Seconds
336 Off-Hook Time	3	1 to 15 Seconds

Moose ZX400-ZX410 Program Sheet

337-352 Telephone 1 Number (Up to 16 Digits, Default = FFFFF)

 (A = 0 in Phone number B (11) = * C (12) = # D or E (14) = 3 Second Pause F (15) = End Phone Number)

353-376 Telephone 2 Number (Up to 24 Digits, Default = FFFFF)

377-392 RPM (Download) Phone Number (Up to 16 Digits, Default = FFFFF)

393-398 Area 1 Account 1 _____ (000000-FFFFFF)
 399-404 Area 1 Account 2 _____ (000000-FFFFFF)
 (Enter A for 0's)

Hex Program 10 = A 11 = B 12 = C 13 = D 14 = E 15 = F

405-410 Area 2 Account 1 _____ (000000-FFFFFF)
 411-416 Area 2 Account 2 _____ (000000-FFFFFF)

417 Fire Alarm Call Direction | 3 | 0 = Do Not Report
 418 System Events Call Direction | 0 | 1 = Phone 1 Only
 419 Burglar Alarm Call Direction | 3 | 2 = Phone 2 Only
 420 Hold Up Alarm Call Direction | 3 | 3 = Phone 1 (2 on Failure)
 421 Auxiliary Alarm Call Direction | 3 | 4 = Phone 2 (1 on Failure)
 422 CCM (Critical Condition Call Direction) | 3 | 5 = Phone 1 and 2
 423 Zone Trouble/Restore Call Direction | 0 |
 424 Zone bypass/Restore Call Direction | 0 |
 425 Open/Close Call Direction | 0 |
 426 Supervision Call Direction | 0 |

AREA 2 Phone Call Directions

427 Burglar Alarm Call Direction | 3 | 2 = Phone 2 Only
 428 Hold Up Alarm Call Direction | 3 | 3 = Phone 1 (2 on Failure)
 429 Auxiliary Panic Alarm Call Direction | 3 | 4 = Phone 2 (1 on Failure)
 430 CCM (Critical Condition) Call Direction | 3 | 5 = Phone 1 and 2
 431 Zone Trouble/Restore Call Direction | 0 |
 432 Zone Bypass/Restore Call Direction | 0 |
 433 Open/Close Call Direction | 0 |
 434 Supervision Call Direction | 0 |

ZONE REPORT CODES

	ALARM		RESTORE		BYPASS		TROUBLE	
	Loc	Default	Loc	Default	Loc	Default	Loc	Default
ZONE 01	435	31	436	E3	437	AB	438	F3
ZONE 02	439	32	440	E3	441	AB	442	F3
ZONE 03	443	33	444	E3	445	AB	446	F3
ZONE 04	447	34	448	E3	449	AB	450	F3
ZONE 05	451	35	452	E3	453	AB	454	F3
ZONE 06	455	36	456	E3	457	AB	458	F3
ZONE 07	459	37	460	E3	461	AB	462	F3
ZONE 08	463	38	464	E3	465	AB	466	F3
ZONE 09	467	39	468	E3	467	AB	468	F3
ZONE 10	471	3A	472	E3	473	AB	474	F3
ZONE 11	475	3B	476	E3	477	AB	478	F3
ZONE 12	479	3C	480	E3	481	AB	482	F3
ZONE 13	483	3D	484	E3	485	AB	486	F3
ZONE 14	487	3E	488	E3	489	AB	490	F3
ZONE 15	491	3F	492	E3	493	AB	494	F3
ZONE 16	495	61	496	E6	497	AB	498	F6
ZONE 17	499	62	500	E6	501	AB	502	F6
ZONE 18	503	63	504	E6	505	AB	506	F6
ZONE 19	507	64	508	E6	509	AB	510	F6
ZONE 20	511	65	512	E6	513	AB	514	F6
ZONE 21	515	66	516	E6	517	AB	518	F6
ZONE 22	519	67	520	E6	521	AB	522	F6
ZONE 23	523	68	524	E6	525	AB	526	F6
ZONE 24	527	69	528	E6	529	AB	530	F6
ZONE 25	531	6A	532	E6	533	AB	534	F6
ZONE 26	535	6B	536	E6	537	AB	538	F6
ZONE 27	539	6C	540	E6	541	AB	542	F6
ZONE 28	543	6D	544	E6	545	AB	546	F6
ZONE 29	547	11	548	E1	549	AB	550	F1
ZONE 30	551	12	552	E1	553	AB	554	F1

Moose ZX400-ZX410 Program Sheet

SYSTEM REPORT CODES (Leave alone if using Contact ID)

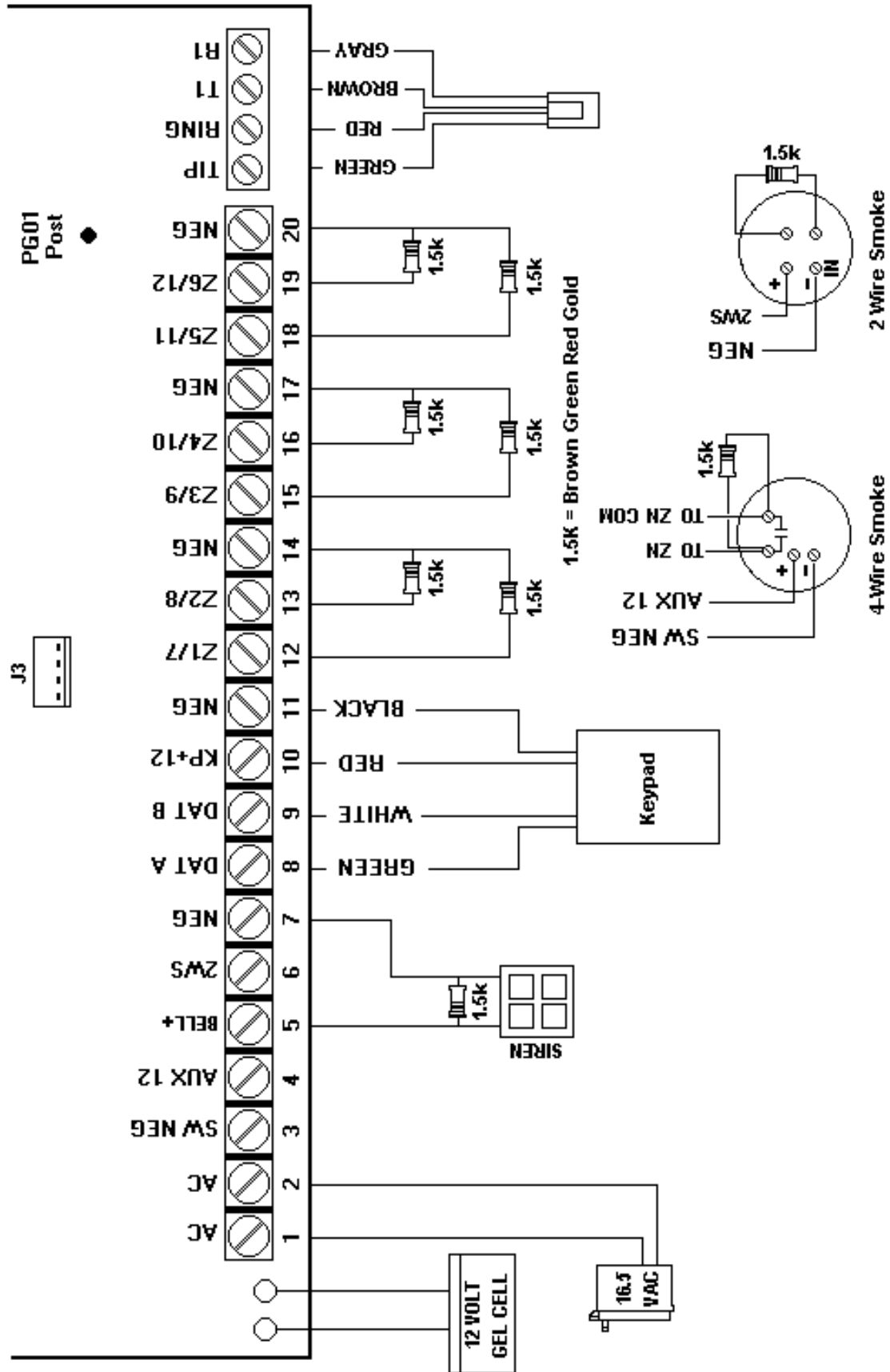
655	A Key (Fire) Report Code	19	674	Comm Test Report Code	00
656	B Key (Police) Report Code	29	675	AC Fail Report Code	FA
657	C Key (Medical) Report Code	49	676	AC Restore Report Code	00
658	Duress Report Code	99	677	Low Battery Report Code	F9
659	Keypad Lockout Report Code	00	678	Battery Restore Report Code	00
660	Burg Cancel Report Code	00	679	Bell Fault Report Code	00
661	Quick Arm Report Code	00	680	Bell Restore Report Code	00
662	Auto Arm Report Code	00	681	Comm Restore Report Code	00
663	Auto Arm Failed Report Code	00	682	Memory Error Report Code	00
664	Keyswitch Close Rep Code	00	683	Local Program Begin Code	00
665	Keyswitch Open Rep Code	00	684	Local Program End Code	00
666	Download Closing Rep Code	00	685	RPM End Report Code	00
667	Download Opening Rep Code	00	686	RPM Denied Report Code	00
668	Closing Extended Code	00	687	RPM Abort Report Code	00
669	Exit Alarm Report Code	00	688	Missing Keypad Rep Code	00
670	Recent Closing Report Code	00	689	Restore Keypad Rep Code	00
671	Latchkey Supervisory Code	00	690	RF Jamming Rep Code	00
672	User On-Premise Code	00	691	RF Channel Clear Rep Code	00
673	Com Test Not Normal Code	00	692	Keyfob Low Battery Rep Code	00

INSTALLER STUFF

759-762 Installer Passcode | 9 | 6 | 3 | 2 | 0000 TO 9999

763	Call 2 Timer (Double Call Timer)	0	0 to 255 seconds
764	Auto Answer Ring Count	8	0 to 15 Rings
765	Enable RPM (Download)	1	0 = No, 1 = Yes
766	Enable Power-Up Programming	0	0 = No, 1 = Yes
767	Lockout Local Programming	0	0 = No, 1 = Yes

Moose ZX400-ZX410 Program Sheet



Monitronics Monitoring and Service: 1-800-447-9239

Moose ZX400-ZX410 Quick Reference Guide

Arm Away	AWAY button + User Code
Arm Stay	STAY button + User Code
Disarming / Silencing Alarm	OFF/CANCEL button + User Code
Zone Bypassing	4 + User Code Enter Zone to bypass [01 to 30] Press ENTER twice to exit
User Codes	1. Press + Master Code + 5 (Ready and Trouble LED's will flash) 2. Enter User to add or change (01 to 50) + ENTER 3. Enter new 4-digit User Code + ENTER 4. Press CLEAR to exit (Ready and Trouble LED's will stop flashing) To delete a User Code follow above steps but enter 000 for new User Code
Door Chimes	6 + User Code to enable or disable
Smoke Detector Reset	7 + User Code
Trouble Light	Press OFF/CANCEL to silence keypad sounder Press 1 to view Zone in trouble Press 1 again to show other problems Zone 1 ON = AC Power Failure Zone 2 ON = Panel Low Battery Zone 3 ON = Internal Memory Error Zone 4 ON = Communication Failure Zone 5 ON = Keypad Wiring Trouble Zone 6 ON = RF Receiver Jamming Zone 7 ON = Siren/Bell Trouble Zone 8 = Phone Line Failure
System Tests	Sensor Test: 8 + User Code + 1 then activate sensors, press CLEAR to quit Battery Test: 8 + User Code + 2 (Trouble light will flash if battery test fails) Siren Test: 8 + User Code + 3 (Siren sounds for several seconds) Phone Test: 8 + User Code + 4 (4 beeps = Test okay Trouble Light = Test Failure)
Set Clock	1. 9 + Master Code + 2 2. Enter 4-digit Military Time (00:00 to 23:59) 3. Enter 6-digit Month/Day/Year (Example: December 25 th 2002 = 122502) 4. Press ENTER to save and exit