

Moose/Sentrol ZX200 – ZX210 Program Sheet

Formats Contact ID or 4/2 (Contact ID preferred)
Enter Program 9 + 9632 + 3 or power down & up and press 9 then 9999 in 60 seconds
Options 9 + Installer Code + 1 = Answer Download Request
 9 + Installer Code + 2 = Future Use
 9 + Installer Code + 3 = Enter Installer Programming
 9 + Installer Code + 4 = Future Use
 9 + Installer Code + 5 = Program User Codes
 9 + Installer Code + 6 = Reset to Factory Defaults
 9 + Installer Code + 7 = Set Hours until next Communicator Test
 9 + Installer Code + 8 = Call Download Computer
 9 + Installer Code + 9 = Program RF Sensors
Move to Location 3-Digit Location + ENTER
Enter Data 1 to 3 digit Value + ENTER to save and ENTER again to move to next
ENTER Key Saves new value in a Location
 If no new value is entered in a Location will move to next Location
CLEAR Key If pressed in Location after entering new value erases and reverts to old values
 If pressed in Location and no new values entered will exit to top program level
MEDICAL Panic Moves to previous Program Location (Also known as C Key)
OFF/CANCEL Press and hold to display current programming in Location
Exit Program Press CLEAR twice

Misc Options

Location	Feature	Variables
1	Away Exit Delay Time	0 to 255 Seconds
2	Stay/Night Exit Delay Time	0 to 255 Seconds
3	Entry Delay Time 1	0 to 255 Seconds
4	Entry Delay Time 2	0 to 255 Seconds
5	Fire Alarm Cutoff Time	0 to 255 Seconds
6	Other Alarms Cutoff Time	0 to 255 Seconds
7	Access Time	0 to 255 Seconds
8	Delay Before Dial Timer	0 to 255 Seconds
9	Fire Delay Before Dial Timer	0 to 255 Seconds
10	AC Failure Delay Timer	0 to 255 Seconds
11	Burglar Audible Lockout	0 to 15 Alarms
12	Swinger Shutdown	0 to 15 Violations
13	Passcode Entry Lockout	0 to 15 Attempts
14	Rings Until Answer	0 to 15 Rings
15	Second Call Bypass Timer	0 to 255 seconds, default = 15
16	Holdup Alarms (B Key)	0 = No Sounder Output
17	Auxiliary Alarms (C Key)	1 = Keypad Sounder Only
18	Burglar Alarms	2 = Keypad Sounder + Bell Output
19	Enable Bypassing	0 = No, 1 = Yes
20	Enable Force Arming	0 = No, 1 = Yes
21	Enable Two-Button Arming	0 = No, 1 = Yes
22	Enable Double-Press Arming	0 = No, 1 = Yes
23	Opening Report Only After Alarm	0 = No, 1 = Yes
24	Enable Remote Programming	0 = No, 1 = Yes
25	Enable Programming At Power-Up	0 = No, 1 = Yes
26	Lockout Installer Programming	0 = No, 1 = Yes
27	Fire Bell	0 = Steady, 1 = Pulsed
28	Burglar Bell	0 = Steady, 1 = Pulsed
29	Holdup Bell	0 = Steady, 1 = Pulsed
30	Auxiliary Bell	0 = Steady, 1 = Pulsed
31	Bell Test On Away Arm	0 = No, 1 = Yes
32	Display Bypassed While Armed	0 = No, 1 = Yes
33	Two Wire Smoke Enable	0 = No, 1 = Yes (Zone 8 only)
34	Keypad 1 Options	0 = Panic Keys Disabled
35	Keypad 2 Options	1 = Panic Keys Enabled
36	Keypad 3 Options	2 = Panic Keys Disabled with Silent Entry, Exit & Trouble
37	Keypad 4 Options	3 = Panic Keys Enabled with Silent Entry, Exit & Trouble

Moose/Sentrol ZX200 – ZX210 Program Sheet

Zone Programming

Location	Feature	Value	Variables
38	Zone 1 Type	1	0 = Not Used
42	Zone 2 Type	1	1 = Burglar
46	Zone 3 Type	1	2 = 24 Hr Fire
50	Zone 4 Type	1	3 = 24 Hr Holdup
54	Zone 5 Type	1	4 = 24 Hr Auxiliary
58	Zone 6 Type	1	5 = Momentary Keyswitch
62	Zone 7 Type	1	6 = 24 Hr Communicator
66	Zone 8 Type	1	7 = Momentary Smoke Reset
39	Zone 1 Response	13	0 = Instant, Arm AWAY
43	Zone 2 Response	3	1 = Delay 1, Arm AWAY
44	Zone 3 Response	3	2 = Delay 2, Arm AWAY
51	Zone 4 Response	12	3 = Follower, Arm AWAY
55	Zone 5 Response	12	4 = Instant, Arm AWAY & STAY
59	Zone 6 Response	12	5 = Delay 1, Arm AWAY & STAY
63	Zone 7 Response	12	6 = Delay 2, Arm AWAY & STAY
67	Zone 8 Response	12	7 = Follower, Arm AWAY & STAY
			8 = Instant, Arm AWAY & NIGHT
			9 = Delay 1, Arm AWAY & NIGHT
			10 = Delay 2, Arm AWAY & NIGHT
			11 = Follower, Arm AWAY & NIGHT
			12 = Instant, Arm AWAY, STAY & NIGHT
			13 = Delay 1, Arm AWAY, STAY & NIGHT
			14 = Delay 2, Arm AWAY, STAY & NIGHT
			15 = Follower, Arm AWAY, STAY & NIGHT
40	Zone 1 Option	1	0 = Hardwire Zone, Not Bypassable
44	Zone 2 Option	1	1 = Hardwire Zone, Bypassable
48	Zone 3 Option	1	2 = Wireless Zone, Not Bypassable
52	Zone 4 Option	1	3 = Wireless Zone, Bypassable
56	Zone 5 Option	1	4 = Hardwire Fast Zone, Not Bypassable
60	Zone 6 Option	1	5 = Hardwire Fast Zone, Not Bypassable
64	Zone 7 Option	1	
68	Zone 8 Option	1	
41	Zone 1 Supervision	2	0 = Alarm on Open, No Trble (EOL Optional)
45	Zone 2 Supervision	2	1 = Alarm on Short, No Trble (EOL Optional)
49	Zone 3 Supervision	2	2 = Alarm Open or Short, No Trble (EOL Opt.)
53	Zone 4 Supervision	2	3 = Alarm on Open or Short
57	Zone 5 Supervision	2	4 = Alarm on Open, Trble on Short
61	Zone 6 Supervision	2	5 = Alarm on Short, Trble on Open
65	Zone 7 Supervision	2	6 = Alarm on Open or Short, Trouble on
69	Zone 8 Supervision	2	Open Disarmed (Burglar Only)

User Code Options (User Codes cannot be programmed in Installer Mode)

Location	Feature	Value	Variables
70	User 1 Authority Level	1	0 = Disabled
71	User 2 Authority Level	1	1 = Master
72	User 3 Authority Level	1	2 = Duress
73	User 4 Authority Level	1	3 = Maid
74	User 5 Authority Level	1	4 = User on Premise (Standard User)
75	User 6 Authority Level	1	5 = Installer
76	User 7 Authority Level	1	
77	User 8 Authority Level	1	
78	User 9 (Installer) Authority Level	5	

Moose/Sentrol ZX200 – ZX210 Program Sheet

Output Programming (Outputs are on optional ZXOUT external Module)

Location	Feature		Variables
79	Control PGO1	10	0 = Not Used
80	Output 01	6	1 = Fire Alarm Indicator
81	Output 02	1	2 = Duress
82	Output 03	7	3 = Low Battery
83	Output 04	8	4 = Failed to Communicate
84	Output 05	12	5 = Telco Line Fault
85	Output 06	14	6 = Burglar Alarm Indicator
86	Output 07	11	7 = Holdup Alarm Indicator
87	Output 08	13	8 = Auxiliary Alarm Indicator
88	Output 09	15	9 = Bell Output Trigger
89	Output 10	17	10 = Violation
			11 = Ready
			12 = Armed
			13 = Trouble
			14 = Chime
			15 = Lamp Trigger
			16 = RF Annunicator
			17 = Access Output

15 is for X-10, On during Entry/Exit
On for 5 minutes

Communicator Programming

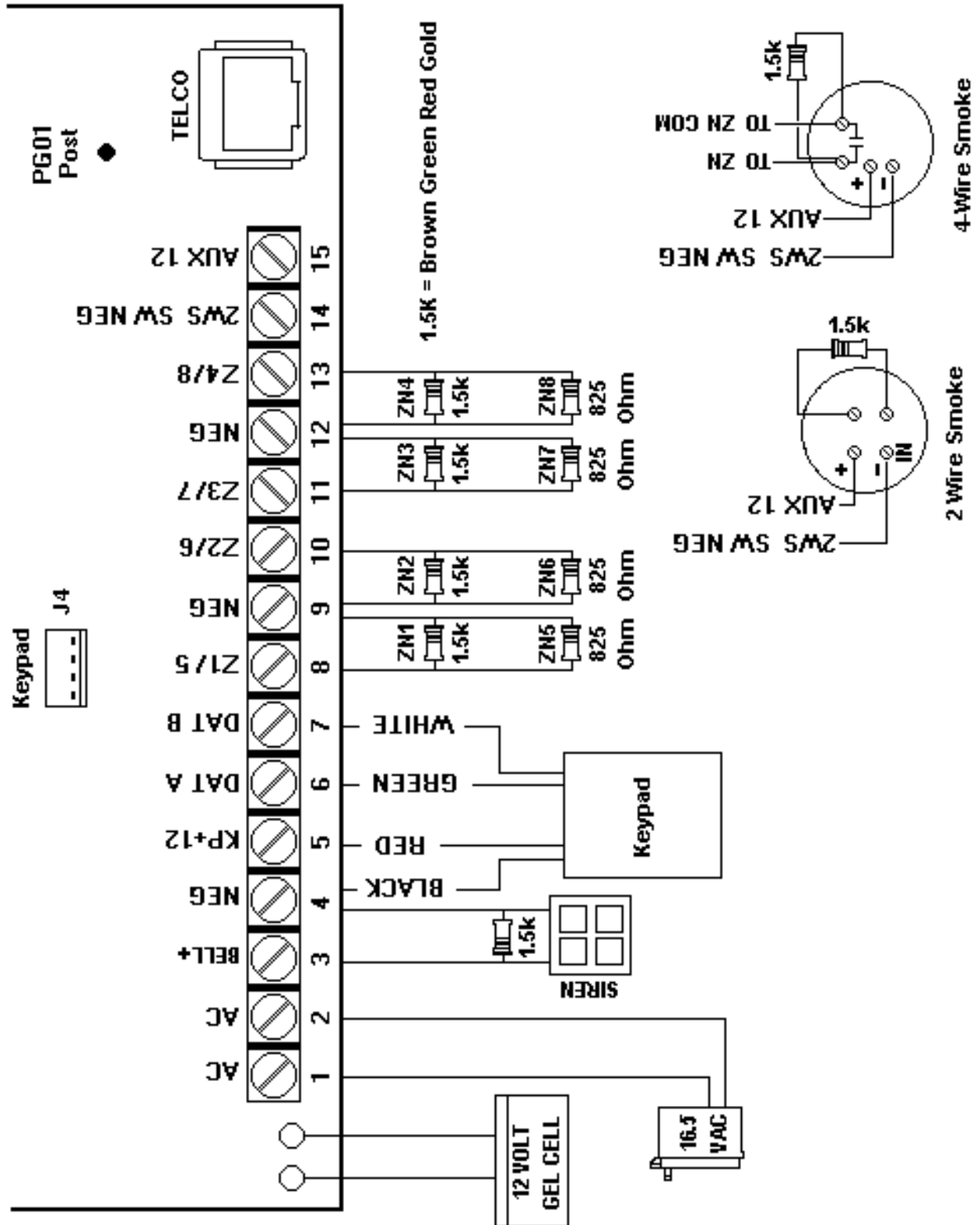
Location	Feature		Variables
90	Enable Communicator	1	0 = Disabled 1 = Enabled 2 = Enabled w/Telco Line Monitor
91	Disable Call Waiting	0	0 = No, 1 = Yes
92	Days Between Comm Tests	1	0 to 255 Days
93	Time Between Calls	5	0 to 255 Seconds
94	Telephone 1 Trans. Format	3	0 = Pulsed 20 Baud, Non-Extended
95	Telephone 2 Trans. Format	3	1 = Pulsed 20 Baud, Extended 2 = Pulsed 40 Baud Extended 3 = Contact ID 4 = Pager (Telephone 2 only)
96	Dialer Type	1	0 = Pulse, 1 = Tone, 2 = Euro Pulse
97	Telephone 1 Dial Attempts	5	1 to 15 Attempts
98	Telephone 2 Dial Attempts	5	1 to 15 Attempts
99	ON-Hook Time	5	1 to 15 Seconds
100	OFF-Hook Time	3	1 to 15 Seconds
101	Alarms/Restores Call Routing	3	0 = Do Not report
102	Zone Bypass/Restore Call Routing	0	1 = Phone 1 Only
103	Open/Close Call Routing	0	2 = Phone 2 Only
104	Trouble/Restore Call Routing	0	3 = Phone 1 (2 on Failure)
105	System Maintenance Call Routing	0	4 = Phone 2 (1 on Failure) 5 = Phone 1 and 2
106-121	Telephone Number 1 (16 digits, default = FFFF)		(A = 0 in Phone number B (11) = * C (12) = # D or E (14) = 3 Second Pause F (15) = End Phone Number)
122-145	Telephone Number 2 (24 digits, default = FFFF)		(If Pager add 2 or 3 D's or E's to allow pausing before sending pager info)
146-161	RPM (Download) Telephone Number (16 digits, default = FFFF)		
162-165	Telephone 1 Account Number		(4 Hex digits 0000 to FFFF, enter A for 0's)
166-169	Telephone 2 Account Number		Hex Program 10 = A 11 = B 12 = C 13 = D 14 = E 15 = F

Report Code Programming (Leave alone if using Contact ID)

Moose/Sentrol ZX200 – ZX210 Program Sheet

Location	Feature		Variables
170	Zone 01 Alarm	3	0 (No Report) to F
171	Zone 02 Alarm	3	0 (No Report) to F
172	Zone 03 Alarm	3	0 (No Report) to F
173	Zone 04 Alarm	3	0 (No Report) to F
174	Zone 05 Alarm	3	0 (No Report) to F
175	Zone 06 Alarm	3	0 (No Report) to F
176	Zone 07 Alarm	3	0 (No Report) to F
177	Zone 08 Alarm	3	0 (No Report) to F
178	Zone Restoral Report Code	0	0 (No Report) to F
179	Zone Bypass Report Code	0	0 (No Report) to F
180	Zone Troubles Report Code	0	0 (No Report) to F
181	Exit Alarm Report Code	0	0 (No Report) to F
182	Closing Report Code	0	0 (No Report) to F
183	Opening Report Cod	0	0 (No Report) to F
184	Duress Report Code	9	0 (No Report) to F
185	Cancel Report Code	0	0 (No Report) to F
186	Recent Closings	0	0 (No Report) to F
187	User on Premise	0	0 (No Report) to F
188	Aux Alarm Report Code	9	0 (No Report) to F
189	'A' (Fire) Panic Report Code	1	0 (No Report) to F
190	'B' (Police) Panic Report Code	2	0 (No Report) to F
191	'C' (Medical) Panic Alarm Report Code	4	0 (No Report) to F
192	All Other Troubles Report Code	F	0 (No Report) to F
193	Fire Test Begin Report Code	0	0 (No Report) to F
194	Keypad Missing Report Code	0	0 (No Report) to F
195	AC Failure Report Code	A	0 (No Report) to F
196	Panel Low Battery Report Code	9	0 (No Report) to F
197	Bell Fault Report Code	0	0 (No Report) to F
198	Memory Error Report Code	0	0 (No Report) to F
199	RF Jamming Report Code	0	0 (No Report) to F
200	RF Keyfob Low Battery Report Code	0	0 (No Report) to F
201	Installer On Premise Report Code	0	0 (No Report) to F
202	Trouble Restore Report Code	0	0 (No Report) to F
203	Fire Test End Report Code	0	0 (No Report) to F
204	Keypad Restore Report Code	0	0 (No Report) to F
205	AC Restore Report Code	A	0 (No Report) to F
207	Bell Restore Report Code	0	0 (No Report) to F
208	Communication Restore	0	0 (No Report) to F
209	RF Channel Clear	0	0 (No Report) to F
210	Installer Off Premise	0	0 (No Report) to F
211	Other Events Report Code	0	0 (No Report) to F
212	Comm Test Failure Report Code	0	0 (No Report) to F
213	Comm Test Report Code	0	0 (No Report) to F
214	RPM Download End Report Code	0	0 (No Report) to F
215	RPM Download Aborted Report Code	0	0 (No Report) to F

Moose/Sentrol ZX200 – ZX210 Program Sheet



Monitronics

Monitoring and Service: 1-800-447-9239

Moose ZX200-ZX210 Quick Reference Guide

Arm Away	AWAY button + User Code
Arm Stay	STAY button + User Code
Disarming / Silencing Alarm	OFF/CANCEL button + User Code
Zone Bypassing	4 + User Code Enter Zone to bypass [01 to 08] Press ENTER twice to exit
User Codes	1. Press + Master Code + 2 2. Enter User to add or change (1 to 9) + ENTER 3. Enter new 4-digit User Code 4. Press CLEAR to exit (Ready and Trouble LED's will flash) (Ready and Trouble LED's will stop flashing)
Door Chimes	6 + User Code to enable or disable
Smoke Detector Reset	7 + User Code
Trouble Light	Press OFF/CANCEL to silence keypad sounder Press 1 to view Zone in trouble Press 1 again to show other problems Zone 1 ON = AC Power Failure Zone 2 ON = Panel Low Battery Zone 3 ON = Internal Memory Error Zone 4 ON = Communication Failure Zone 5 ON = Keypad Wiring Trouble Zone 6 ON = RF Receiver Jamming Zone 7 ON = Siren/Bell Trouble Zone 8 = Phone Line Failure
System Tests	Sensor Test: 8 + User Code + 1 then activate sensors, press CLEAR to quit Battery Test: 8 + User Code + 2 (Trouble light will flash if battery test fails) Siren Test: 8 + User Code + 3 (Siren sounds for several seconds) Phone Test: 8 + User Code + 4 (4 beeps = Test okay Trouble Light = Test Failure)
Panic Buttons	Press twice or hold for 3 seconds to activate