

FBI XL4600DL Program Sheet

XL4600DL should say XL4600DL on Panel Wiring Diagram, XL-2 has Sticker on curcuit board that says XL-2 or XL-2LT

Enter Program CODE key + * + 4600

Move to location * + 2 digit location

Program location After every digit press # to move to next program location
Example: To program phone number enter 1#8#0#0# etc

Exit Program STAY

Default Panel Short "EEPROM RESET" pins on panel and power up system

Hex Program CODE+1 = A, CODE+2 = B, CODE+3 = C, CODE+4 = D, CODE+5 = E, CODE+6 = F

Report Codes	Zone 1	31	Duress	21 to 29
	Zone 2	32	Keypad Fire Panic	19
	Zone 3	33	Keypad Police Panic	29
	Zone 4	34	Keypad Medical Panic	49
	Zone 5	35	Low Battery	78
	Zone 6	36	Low Battery Restoral	98
	Zone 7	37	AC Failure	79
	Zone 8	38	AC Failure Restoral	99
	Zone 9	39	Fire Trouble	76
	Zone 10	41	Fire Restore	96
	Zone 11	42	Smoke Detector*	16 or 18
	Zone 12	43	Cancel	D1 to D8
	Zone 13	44	Opening	5 + User
	Zone 14	45	Closing	6 + User
	Zone 15	46	Test/Download Complete	EE
	Zone 16	47	Zone Restores	9 + Zone

*01 Primary Phone Number

L1	L2	L3	L4	L5	L6	L7	L8	L9	L10	L11	L12											

B = * C = 3 second pause A = End of Phone Number

*02 Secondary Phone Number

	N		O		T		U		S		E		D									
L1	L2	L3	L4	L5	L6	L7	L8	L9	L10	L11	L12											

*03 Download Phone Number

	N		O		T		U		S		E		D									
L1	L2	L3	L4	L5	L6	L7	L8	L9	L10	L11	L12											

*04 Dialer Information

	1		6		6		1															
L1	L2	L3	L4																			

L1 Dialer Formats

- 0 Pulse Dialing, Standard Format or 4x2
- 1 TouchTone, Standard Format or 4x2
- 2 Pulse Dialing, Extended Format
- 3 TouchTone, Extended Format
- 4 Pulse Dialing, Partial Extended Format
- 5 TouchTone, Partial Extended Format
- 8 No Dialer, Local Only System

L2 Receiver Type

- 0 10PPS 1400Hz No Parity
- 1 10PPS 1400Hz Parity
- 2 10PPS 2300Hz No Parity
- 3 10PPS 2300Hz Parity
- 4 20PPS 1400Hz No Parity
- 5 20PPS 1400Hz, Parity
- 6 20PPS 2300Hz No Parity
- 7 20PPS 2300Hz Parity
- 8 40PPS 1400Hz No Parity
- A 40PPS 2300Hz No Parity
- B 40PPS 2300Hz Parity

L3 Message Type

- 0 3x1, No Bell Lockout
- 2 4x1, No Bell Lockout
- 6 4x2, No Bell Lockout

L4 System Options

- 0 Silent Panic
- 1 Audible Panic
- 2 Silent Panic, Split Report
- 3 Audible Panic, Split Report
- 4 Silent Panic, 24Hr Test Signal
- 5 Audible Panic, 24Hr Test Signal
- 6 Silent Panic, Split Report, 24Hr Test Signal
- 7 Audible Panic, Split Report, 24Hr Test Signal
- 8 Silent Panic, Bell Test on Arm
- 9 Audible Panic, Bell Test on Arm
- A Silent Panic, Split Report, Bell Test on Arm
- B Audible Panic, Split Report, Bell Test on Arm
- C Silent Panic, 24Hr Test Signal
- D Audible Panic, 24Hr Test Signal, Bell Test on Arm
- E Silent Panic, Plit Report, 24Hr Test Signal, Bell Test
- F Audible Panic, Spit Report, 24Hr Test Signal, Bell Test

FBI XL4600DL Program Sheet

***05 Keypad Conditions**

| F | 6 | 6 | X | (X = Not Used)
L1 L2 L3 L4

- L1 Keypad Emergency Conditions**
 0 Panics Disabled
 1 Panic Enabled
 2 Fire Enabled
 3 Panic, Fire Enabled
 4 Medical (Silent) Enabled
 5 Panic, Medical (Silent) Enabled
 6 Fire, Medical (Silent) Enabled
 7 Police, Fire, Medical (Silent) Enabled
 C Medical (Audible) Enabled
 D Panic, Medical (Audible) Enabled
 E Fire, Medical (Audible) Enabled
F Panic, Fire, Medical (Audible) Enabled

- L2 Keypad Misc Options**
 0 Panic Input Silent
 1 Keyswitch Input
 2 Panic Input Enabled Audible
 4 Panic Input Silent, Auto unbypass
 5 Keyswitch Input, Auto-unbypass
6 Panic Input Audible, Auto-unbypass
 8 Panic Input Silent, Arm Only User 5
 9 Keyswitch Input, Arm Only User 5
 A Panic Input Audible, Arm Only User 5
 C Panic Input Silent, Auto-unbyp, Arm Only User 5
 D Keyswitch Input, Auto-unbyp, Arm Only User 5
 E Panic Input Audible, Auto-unbyp, Arm Only User 5

- L3 Quick Commands**
 0 Quick Commands Disabled
 1 Quick Force Arm (# 2)
 2 Quick Arm (# 1)
 3 Quick Force Arm, Quick Arm
 4 Reset Enable (* Key for Smoke Detectors)
 5 Quick Force Arm, Reset Enable
6 Quick Arm, Reset Enable
 7 Quick Force Arm, Quick Arm, Reset Enable

L4 Not Used

***06 Account 1**

| | | | |
L1 L2 L3 L4

***07 Account 2**

| A | A | A | A | (Not programmed)
L1 L2 L3 L4

***08 System Timeouts**

| 2 | 4 | 2 | F |
L1 L2 L3 L4

***09 Zone 1 Programming**

| ? | ? | 3 | 1 |
L1 L2 L3 L4

Sections 09 to 14

1st 2 digits = Zone Type 2nd 2 digits = Report Code

L1 & L2 Zone Types

- | | |
|--|---|
| 10 Perimeter | 44 Interior, Chime |
| 11 Perimeter, Restore | 45 Interior, Chime, Restore |
| 12 Perimeter | 48 Interior, Dial Delay |
| 13 Perimeter, Day, Restore | 49 Interior, Restore, Dial Delay |
| 14 Perimeter, Chime | 4C Interior, Chime, Dial Delay |
| 15 Perimeter, Chime, Restore | 4D Interior, Chime, Restore, Dial Delay |
| 18 Perimeter, Dial Delay | |
| 19 Perimeter, Restore, Dial Delay | 24 Hour Zones |
| 1A Perimeter, Day, Dial Delay | 81 Alarm Audible |
| 1B Perimeter, Day, Restore, Dial Delay | 84 Fire |
| 1C Perimeter, Chime, Dial Delay | 89 Alarm Silent |
| 1D Perimeter, Chime, Restore, Dial Delay | 8A Trouble, Silent (LED Indicator Only) |
| 20 Delay | 91 Alarm Restore (Silent) |
| 21 Delay, Restore | 92 Trouble, Audible, Restore |
| 24 Delay, Chime | 94 Fire, Restore |
| 25 Delay, Chime, Restore | 99 Hold Up, Restore |
| 40 Interior | 9A Silent Trouble, Restore |
| 41 Interior, Restore | |

***10 Zone 2 Programming**

| ? | ? | 3 | 2 |
L1 L2 L3 L4

***11 Zone 3 Programming**

| ? | ? | 3 | 3 | (Sends 33)
L1 L2 L3 L4

***12 Zone 4 Programming**

| ? | ? | 3 | 4 | (Sends 34)
L1 L2 L3 L4

***13 Zone 5 Programming**

| ? | ? | 3 | 5 | (Sends 35)
L1 L2 L3 L4

***14 Zone 6 Programming**

| ? | ? | 3 | 6 | (Sends 36, If Smoke use 8416)
L1 L2 L3 L4

FBI XL4600DL Program Sheet

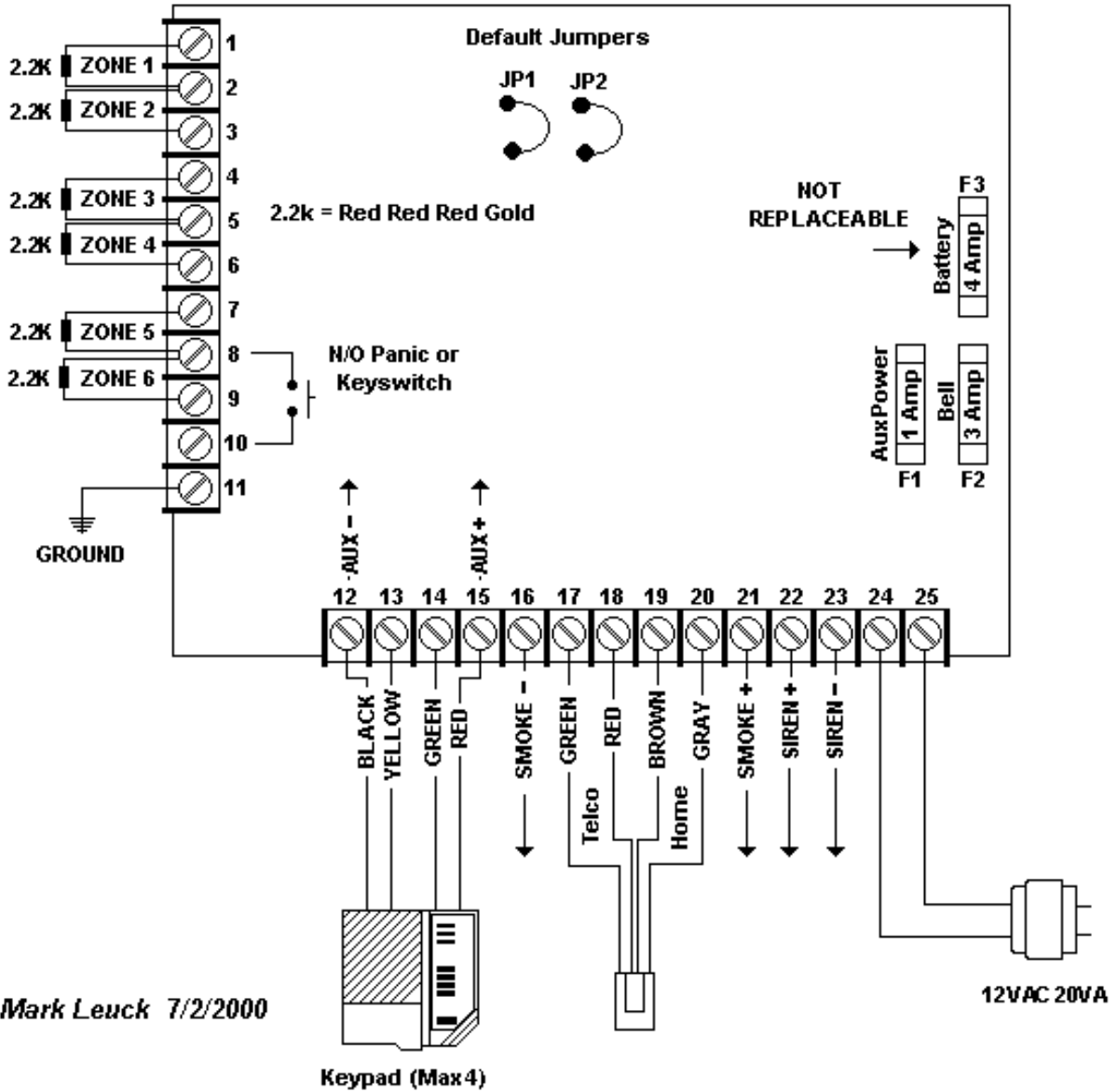
*15 Ambush/AC Loss Report Code	2 6 7 9 L1 L2 L3 L4	(Ambush = 26. AC Loss = 79)
*16 Panic/Low Battery Report Code	2 9 7 8 L1 L2 L3 L4	(Panic = 29. Low Battery = 78)
*17 Open/Close/Test Report Code	A A A A L1 L2 L3 L4	(For Opening/Closings use 5 6 A A)
*18 Bypass/Restore/Trouble/Rng Count	A A 7 A L1 L2 L3 L4	(Fire Trouble sends 7 + Zone)
*19 Keypad Fire/Medical Panics	1 9 4 9 L1 L2 L3 L4	(Fire Panic = 19. Medical Panic = 78)
*00 Installer Code	4 6 0 0 L1 L2 L3 L4	

Alpha Keypad Zone Description Programming

*21 Zone 1 Alpha Description	Up to 12 Digits
*22 Zone 2 Alpha Description	Up to 12 Digits
*23 Zone 3 Alpha Description	Up to 12 Digits
*24 Zone 4 Alpha Description	Up to 12 Digits
*25 Zone 5 Alpha Description	Up to 12 Digits
*26 Zone 6 Alpha Description	Up to 12 Digits
0	Inserts Space and moves cursor one space right

CODE	Mose cursor left one space
INSTANT	Moves cursor right one space
7	Moves up through all characters
*7	Scrolls rapidly up through all characters
9	Moves down through all characters
*9	Scrolls rapidly down through all characters
STAY	Moves to next zone description
BYPASS	Moves to previous zone description

FBI XL4600DL Program Sheet



Monitronics Monitoring and Service: 1-800-447-9239

FBI XL4600DL Quick Reference Guide

Arm Away	Enter User Code, ARM light will turn on
Arm Stay	Press STAY + User Code When system is disarmed the motions will return to normal
Arm Instant	Press INSTANT key + User Code or INSTANT + STAY + User Code All zones will return to normal when system is disarmed
Disarming / Silencing Alarms	Enter User Code If disarming after an alarm enter User Code again to clear any Alarm Displays
Zone Bypassing	Press BYPASS key + User Code + Zone to Bypass (1 to 6) To bypass more zones press BYPASS key then any other zone you wish to bypass Bypassed zones will return to normal when you arm then disarm your system
User Codes	Press CODE + Master Code Enter User to add or change (2 to 5) Enter new 4-digit User Code (keypad will beep indicating you have successfully entered the code) To delete a User Code repeat above steps except press * instead of entering a new User Code <i>NOTE: The 1st code is the Master code, the 6th code is a Duress/Hostage code (if programmed)</i>
Reset Smoke Detector	Enter User Code then *. The smoke detector will be reset after a few seconds
Trouble Indicators	if AC/LB light is OFF the AC power has failed if AC/LB light is FLASHING the backup battery is low and needs to recharge or be replaced
Panic Buttons	Press * and # for Police Panic Press 1 and 3 for Medical Panic (Fire and Medical Panics may not be enabled on some systems) Press 7 and 9 for Fire Panic If keypad has separate Police, Fire and Medical keys press both at same time to use