

FBI XL4500 Program Sheet

- Enter Program CODE key + * + 4600
- Move to location * + 2 digit location
- Program location After every digit press # to move to next program location
Example: To program phone number enter 1#8#0#0# etc
- Exit Program STAY
- Default Panel Short "EEPROM RESET" pins on panel and power up system
- Hex Program CODE+1 = A, CODE+2 = B, CODE+3 = C, CODE+4 = D, CODE+5 = E, CODE+6 = F

Report Codes	Zone 1	31	Duress	21 to 29
	Zone 2	32	Keypad Fire Panic	19
	Zone 3	33	Keypad Police Panic	29
	Zone 4	34	Keypad Medical Panic	49
	Zone 5	35	Low Battery	78
	Zone 6	36	Low Battery Restoral	98
	Zone 7	37	AC Failure	79
	Zone 8	38	AC Failure Restoral	99
	Zone 9	39	Fire Trouble	76
	Zone 10	41	Fire Restore	96
	Zone 11	42	Smoke Detector*	16 or 18
	Zone 12	43	Cancel	D1 to D8
	Zone 13	44	Opening	5 + User
	Zone 14	45	Closing	6 + User
	Zone 15	46	Test/Download Complete	EE
	Zone 16	47	Zone Restores	9 + Zone

*01 Primary Phone

L1 L2 L3 L4 L5 L6 L7 L8 L9 L10 L11 L12

B = * C = 3 second pause A = End of Phone Number D = #

*02 Secondary Phone (Not Used)

L1 L2 L3 L4 L5 L6 L7 L8 L9 L10 L11 L12

*03 Dialer Information

L1 L2 L3 L4

- L1 Dialing/Format**
- 0 Pulse Dialing, Standard Format or 4x2
 - 1 TouchTone, Standard Format or 4x2
 - 2 Pulse Dialing, Extended Format
 - 3 TouchTone, Extended Format
 - 4 Pulse Dialing, Partial Extended Format
 - 5 TouchTone, Partial Extended Format
 - 8 No Dialer, Local Only System

- L2 Receiver Type**
- 0 10PPS 1400Hz No Parity
 - 1 10PPS 1400Hz Parity
 - 2 10PPS 2300Hz No Parity
 - 3 10PPS 2300Hz Parity
 - 4 20PPS 1400Hz No Parity
 - 5 20PPS 1400Hz, Parity
 - 6 20PPS 2300Hz No Parity
 - 7 20PPS 2300Hz Parity
 - 8 40PPS 1400Hz No Parity
 - A 40PPS 2300Hz No Parity
 - B 40PPS 2300Hz Parity

- L3 Message Type**
- 1 3x1 Format, No Bell Lockout
 - 2 4x1 Format, No Bell Lockout
 - 4 4x2 Format, No Bell Lockout
 - 9 3x1 Format with Bell Lockout
 - A 4x1 Format with Bell Lockout
 - C 4x2 Format with Bell Lockout

- L4 System Options**
- 0 Silent Panic
 - 1 Audible Panic
 - 2 Silent Panic, Split Report
 - 3 Audible Panic, Split Report
 - 4 Silent Panic, 24Hr Test Signal
 - 5 Audible Panic, 24Hr Test Signal
 - 6 Silent Panic, Split Report, 24Hr Test Signal
 - 7 Audible Panic, Split Report, 24Hr Test Signal
 - 8 Silent Panic, Bell Test on Arm
 - 9 Audible Panic, Bell Test on Arm
 - A Silent Panic, Split Report, Bell Test on Arm
 - B Audible Panic, Split Report, Bell Test on Arm

*04 Account 1

L1 L2 L3 L4

*05 Account 2 (Not programmed)

L1 L2 L3 L4

FBI XL4500 Program Sheet

*06 System Timeouts | 2 | 4 | 2 | F |
 L1 L2 L3 L4

L1 to L4 System Timeouts

L1 = Entry Delay - 1 to F (x15 Second Increments, F = 255 sec)
 L2 = Exit Delay - 1 to F (x15 Second Increments, F = 255 sec)
 L3 = Burg Timeout - 1 to F (x3 Minute Increments, F = Infiinite)
 L4 = Fire Timeout - 1 to F (x3 Minute Increments, F = Infinite)

*07 Zone 1 Programming | ? | ? | 3 | 1 | (Sends 31)
 L1 L2 L3 L4

*08 Zone 2 Programming | ? | ? | 3 | 2 | (Sends 32)
 L1 L2 L3 L4

*09 Zone 3 Programming | ? | ? | 3 | 3 | (Sends 33)
 L1 L2 L3 L4

*10 Zone 4 Programming | ? | ? | 3 | 4 | (Sends 34)
 L1 L2 L3 L4

*11 Zone 5 Programming | ? | ? | 3 | 5 | (Sends 35)
 L1 L2 L3 L4

*12 Not Used | | | | |
 L1 L2 L3 L4

L1 & L2 Zone Type

- | | |
|--|---|
| 10 Perimeter | 44 Interior, Chime |
| 11 Perimeter, Restore | 45 Interior, Chime, Restore |
| 12 Perimeter | 48 Interior, Dial Delay |
| 13 Perimeter, Day, Restore | 49 Interior, Restore, Dial Delay |
| 14 Perimeter, Chime | 4C Interior, Chime, Dial Delay |
| 15 Perimeter, Chime, Restore | 4D Interior, Chime, Restore, Dial Delay |
| 18 Perimeter, Dial Delay | |
| 19 Perimeter, Restore, Dial Delay | 24 Hour Zones |
| 1A Perimeter, Day, Dial Delay | 81 Alarm Audible |
| 1B Perimeter, Day, Restore, Dial Delay | 84 Fire |
| 1C Perimeter, Chime, Dial Delay | 89 Alarm Silent |
| 1D Perimeter, Chime, Restore, Dial Delay | 8A Trouble, Silent (LED Indicator Only) |
| 20 Delay | 91 Alarm Restore (Silent) |
| 21 Delay, Restore | 92 Trouble, Audible, Restore |
| 24 Delay, Chime | 94 Fire, Restore |
| 25 Delay, Chime, Restore | 99 Hold Up, Restore |
| 40 Interior | 9A Silent Trouble, Restore |
| 41 Interior, Restore | |

*13 Ambush/AC Loss Report Code | 2 | 6 | 7 | 9 | (Ambush = 26. AC Loss = 79)
 L1 L2 L3 L4

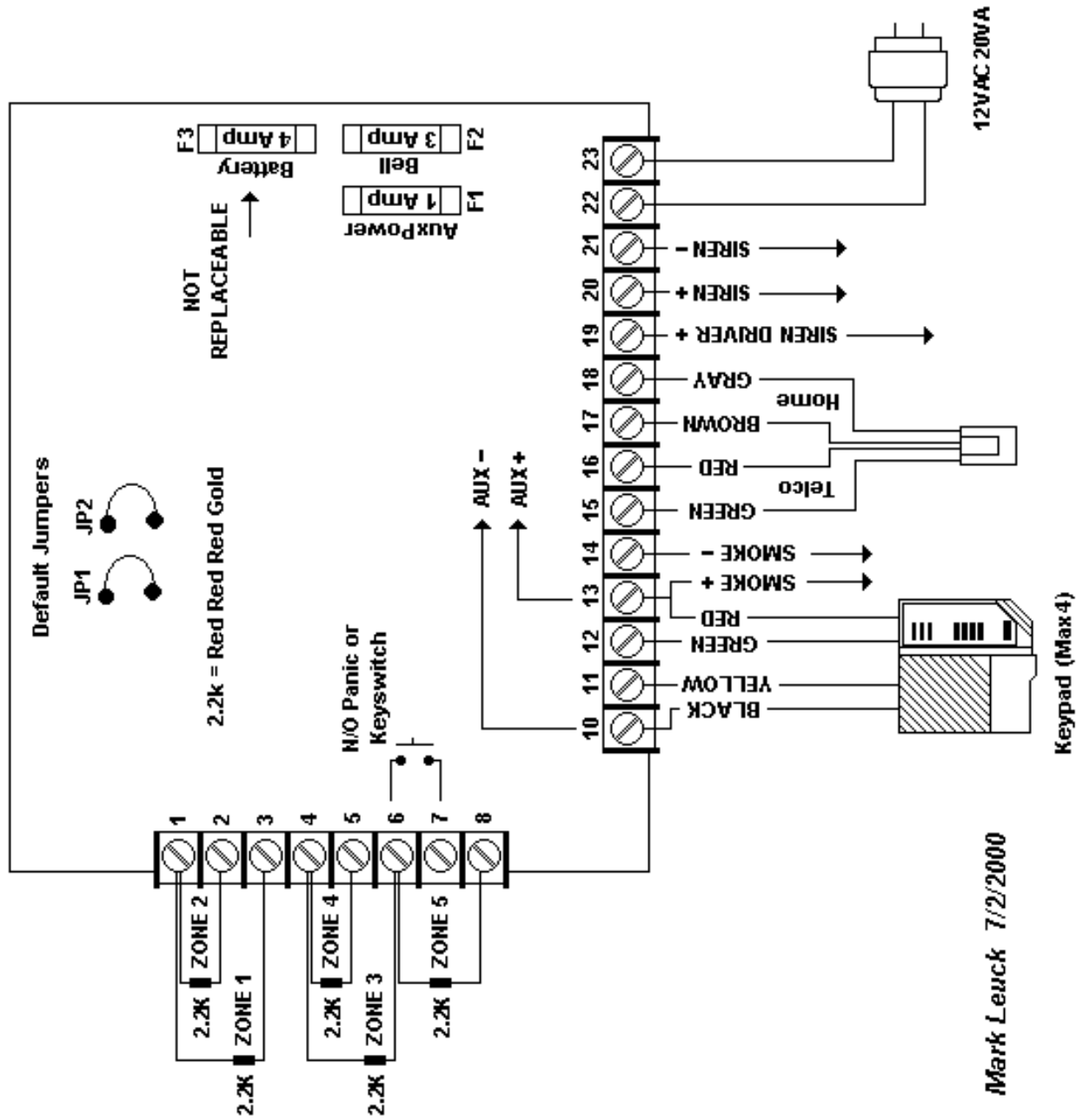
*14 Police Panic/Low Battery Report Code | 2 | 9 | 7 | 8 | (Panic = 29. Low Battery = 78)
 L1 L2 L3 L4

*15 Open/Close/Test Report Code | A | A | A | A | (For Opening/Closings use 5 6 A A)
 L1 L2 L3 L4

*16 Bypass/Restore/Trouble Report Code | A | A | 7 | A | (Fire Trouble sends 7 + Zone)
 L1 L2 L3 L4

*00 Installer Code | 4 | 6 | 0 | 0 |
 L1 L2 L3 L4

FBI XL4500 Program Sheet



Mark Leuck 7/2/2000

Monitronics Monitoring and Service: 1-800-447-9239

FBI XL4500 Quick Reference Guide

Arm Away	Enter User Code, ARM light will turn on
Arm Stay	Press STAY + User Code When system is disarmed the motions will return to normal
Arm Instant	Press INSTANT key + User Code or INSTANT + STAY + User Code All zones will return to normal when system is disarmed
Disarming / Silencing Alarms	Enter User Code If disarming after an alarm enter User Code again to clear any Alarm Displays
Zone Bypassing	Press BYPASS key + 4-digit code + Zone to Bypass (1 to 5) To bypass more zones press BYPASS key then any other zone you wish to bypass Bypassed zones will return to normal when you arm then disarm your system
User Codes	Press CODE + Master Code Enter User to add or change (2 to 5) Enter new 4-digit User Code (keypad will beep indicating you have successfully entered the code) To delete a User Code repeat above steps except press * instead of entering a new User Code <i>NOTE: The 1st code is the Master code, the 6th code is a Duress/Hostage code (if programmed)</i>
Reset Smoke Detector	Enter 4-digit code then *. The smoke detector will be reset after a few seconds
Trouble Indicators	if AC/LB light is OFF the AC power has failed if AC/LB light is FLASHING the backup battery is low and needs to recharge or be replaced
Panic Buttons	Press * and # for Police Panic Press 1 and 3 for Medical Panic (Fire and Medical Panics may not be enabled on some systems) Press 7 and 9 for Fire Panic If keypad has separate Police, Fire and Medical keys press both at same time to use