

# FBI XL-2G Gold Program Sheet

- Enter Program** Press CODE key + \* + 2468 + 1
- Move to location** Press \* + 2 digit location
- Program location** Press # after each digit and move to next location  
*Example: To program phone number enter 1#8#0#0# etc*
- Exit Program** Press STAY
- Default Panel** 1. Short "EEPROM RESET" pins on panel and power up  
 OR  
 2. Press CODE key + \* + 2468 + 1 and hold 1 & 3 at same time

**Hex Program** CODE+1 = A CODE+2 = B CODE+3 = C CODE+4 = D CODE+5 = E CODE+6 = F

<b>Report Codes</b>	<b>Zone 1</b>	<b>31</b>	<b>Duress</b>	<b>21 to 29</b>
	<b>Zone 2</b>	<b>32</b>	<b>Keypad Fire Panic</b>	<b>19</b>
	<b>Zone 3</b>	<b>33</b>	<b>Keypad Police Panic</b>	<b>29</b>
	<b>Zone 4</b>	<b>34</b>	<b>Keypad Medical Panic</b>	<b>49</b>
	<b>Zone 5</b>	<b>35</b>	<b>Low Battery</b>	<b>78</b>
	<b>Zone 6</b>	<b>36</b>	<b>Low Battery Restoral</b>	<b>98</b>
	<b>Zone 7</b>	<b>37</b>	<b>AC Failure</b>	<b>79</b>
	<b>Zone 8</b>	<b>38</b>	<b>AC Failure Restoral</b>	<b>99</b>
	<b>Zone 9</b>	<b>39</b>	<b>Fire Trouble</b>	<b>76</b>
	<b>Zone 10</b>	<b>41</b>	<b>Fire Restore</b>	<b>96</b>
	<b>Zone 11</b>	<b>42</b>	<b>Smoke Detector*</b>	<b>16 or 18</b>
	<b>Zone 12</b>	<b>43</b>	<b>Cancel</b>	<b>D1 to D8</b>
	<b>Zone 13</b>	<b>44</b>	<b>Opening</b>	<b>5 + User</b>
	<b>Zone 14</b>	<b>45</b>	<b>Closing</b>	<b>6 + User</b>
	<b>Zone 15</b>	<b>46</b>	<b>Test/Download Complete</b>	<b>EE</b>
	<b>Zone 16</b>	<b>47</b>	<b>Zone Restores</b>	<b>9 + Zone</b>

**\*01 Primary Phone Number**

L1	L2	L3	L4	L5	L6	L7	L8	L9	L10	L11	L12	

C = 3 second pause, \*70C = Disable Call Waiting  
 If 9 needed use 9 F + last 7 digits of Phone Number (F = 1800)

**\*02 Secondary Phone**

L1	L2	L3	L4	L5	L6	L7	L8	L9	L10	L11	L12	

**\*03 Download Phone**

L1	L2	L3	L4	L5	L6	L7	L8	L9	L10	L11	L12	

**\*04 Dialer Information**

L1	L2	L3	L4	

- L1 Dialer Format**
- 0 Pulse Dialing, Standard Format or 4x2
  - 1 TouchTone, Standard Format or 4x2
  - 2 Pulse Dialing, Extended Format
  - 3 TouchTone, Extended Format
  - 4 Pulse Dialing, Partial Extended Format
  - 5 TouchTone, Partial Extended Format
  - 8 No Dialer, Local Only System

- L2 Receiver Type**
- 0 10PPS 1400Hz
  - 1 10PPS 1400Hz Parity
  - 2 10PPS 2300 No Parity
  - 3 10PPS 2300Hz
  - 4 20PPS 1400Hz
  - 5 20PPS 1400Hz, Parity
  - 6 20PPS 2300Hz
  - 7 20PPS 2300Hz Parity
  - 8 40PPS 1400Hz
  - A 40PPS 2300Hz
  - B 40PPS 2300Hz Parity

- L3 Receiver Type**
- 0 3x1, US Pulse Format
  - 1 3x1, European Pulse Format
  - 2 4x1, US Pulse Format
  - 3 4x1, European Pulse Format
  - 4 3x2, US Pulse Format
  - 5 3x2, European Pulse Format
  - 6 4x2, US Pulse Format
  - 7 4x2, European Pulse Format
  - 8 3x1, Swinger, US Pulse Format
  - 9 3x1, Swinger, European Pulse
  - A 4x1, Swinger, US Pulse Format
  - B 4x1, Swinger, European Pulse
  - C 3x2, Swinger, US Pulse Format
  - D 3x2, Swinger, European Pulse Format
  - E 4x2, Swinger, US Pulse Format
  - F 4x2, Swinger, European Pulse Format

- L4 System Options**
- 0 Silent Panic
  - 1 Audible Panic
  - 2 Silent Panic, Split Report
  - 3 Audible Panic, Split Report
  - 4 Silent Panic, Audible Cancel Ringback
  - 5 Audible Panic, Audible Cancel Ringback
  - 6 Silent Panic, Split Report, Audible Cancel
  - 7 Audible Panic, Split Report, Audible Cancel
  - 8 Silent Panic, Bell Test on Arm
  - 9 Audible Panic, Bell Test on Arm
  - A Silent Panic, Split Report, Bell Test on Arm
  - B Audible Panic, Split Report, Bell Test on Arm
  - C Silent Panic, Audible Cancel, Bell Test on Arm
  - D Audible Panic, Audible Cancel, Bell Test on Arm
  - E Silent Panic, Split Report, Audible Cancel, Bell Test
  - F Audible Panic, Split Report, Audible Cancel, Bell Test

# FBI XL-2G Gold Program Sheet

\*05 Keypad Options

| 1 | 6 | 7 | E |  
L1 L2 L3 L4

## L1 Keypad Panics, Dialer Delay

- 0 Aux Panic Silent
- 1 Police Panic Enabled, Aux Panic Silent
- 2 Stay Mode Dialer Delay, Aux Panic Silent
- 3 Police Panic Enabled, Stay Mode Dialer Delay, Aux Panic Silent
- 4 Stay Mode Bell Instant, Aux Panic Silent
- 5 Police Panic Enabled, Stay Mode Bell Instant, Auxiliary Panic Silent
- 6 Stay Mode Dialer Delay, Stay Mode Bell Instant, Aux Panic Silent
- 7 Police Panic Enabled, Stay Dialer Delay, Stay Bell Instant, Aux Panic Silent
- 8 Aux Panic Audible
- 9 Police Panic Enabled, Aux Panic Audible
- A Stay Mode Dialer Delay, Aux Panic Audible
- B Police Panic Enabled, Stay Mode Dialer Delay, Aux Panic Audible
- C Stay Mode Bell Instant, Aux Panic Audible
- D Police Panic Enabled, Stay Bell Instant, Aux Panic Audible
- E Stay Dialer Delay, Stay Bell Instant, Aux Panic Audible
- F Police Panic Enabled, Stay Dialer Delay, Stay Bell Instant, Aux Panic Audible

## L2 Misc Options, Quick Arm, Quick Force Arm, Quick Bypass Enable

- 1 Zone 7 Silent Panic, 60Hz AC
- 2 Zone 7 Audible Panic, 60Hz AC
- 4 Zone 7 Silent Panic, 60Hz AC, Quick Commands Enabled
- 5 Zone 7 Keyswitch, 60Hz AC, Quick Commands Enabled
- 6 Zone 7 Audible Panic, 60Hz AC, Quick Commands Enabled
- 8 Zone 7 Silent Panic, 50Hz AC
- 9 Zone 7 Keyswitch, 50Hz AC
- A Zone 7 Silent Panic, 50Hz AC, Quick Commands Enabled
- C Zone 7 Silent Panic, 50Hz AC, Quick Commands Enabled
- D Zone 7 Keyswitch, 50Hz AC, Quick Commands Enabled
- E Zone 7 Audible Panic, 50Hz AC, Quick Commands Enabled

## L3 CS Test Time Interval

- 0 1 Day Test Report
- 1 7 Days Test Report
- 2 27 Days Test Report
- 3 60 Day Test Report
- 4 90 Day Test Report
- 6 1Hr Test Report
- 7 Test Report Disabled
- 8 24Hr Test Report, Euro Ring Count
- 9 1 Day Test Report, Euro Ring Select
- A 7 Day Test Report, Euro Ring Select
- B 27 Day Test Report, Euro Ring Select
- C 60 Day Test Report, Euro Ring Select
- D 90 Day Test Report, Euro Ring Select
- E 1Hr Test Report, European Ring Detect
- F Test Report Disabled, European Ring Detect

## L4 Restore Follower/User Download, Test Ringback

- 0 Restore by Bell, Test Report Ringback Audible
- 1 Restore by Loop, Test Report Ringback Audible
- 2 Restore by Bell, Restore Follows Loop, User Download, CS Ringback Audible
- 3 Restore by Loop, User Download, Test Report Ringback Audible
- 4 Restore by Bell
- 5 Restore by Loop
- 6 User Download Enabled
- 7 Restore by Loop, User Download
- 8 Restore by Bell, Test Rep Ringback Audible, Instant Arming
- 9 Restore by Loop, Test Rep Ringback Audible, Instant Arming
- A Restore by Bell, User Download, Test Rep Ringback Audible, Instant Arming
- B Restore by Loop, User Download, Test Rep Ringback Audible, Instant Arming
- C Restore by Bell, Instant Arming
- D Restore by Loop, Instant Arming
- E Restore by Bell, User Download, Test Rep Ringback Silent, Instant Arming
- F Restore by Loop, User Download, Test Rep Ringback Silent, Instant Arming

# FBI XL-2G Gold Program Sheet

**\*06 System Timeouts**

| 6 | 6 | 2 | F |  
L1 L2 L3 L4

**L1 Entry Time 1**

- 0 1 Second
- 1 6 Seconds
- 2 10 Seconds
- 3 15 Seconds
- 4 20 Seconds
- 5 25 Seconds
- 6 30 Seconds
- 7 35 Seconds
- 8 40 Seconds
- 9 45 Seconds
- A 50 Seconds
- B 55 Seconds
- C 1 Minute
- D 1 Minute, 5 Seconds
- E 1 Minute, 10 Seconds
- F 3 Minutes

**L2 Exit Time**

- 0 1 Second
- 1 10 Seconds
- 2 20 Seconds
- 3 30 Seconds
- 4 40 Seconds
- 5 50 Seconds
- 6 1 Minute
- 7 1 Minute 10 Seconds
- 8 1 Minute 20 Seconds
- 9 1 Minute 30 Seconds
- A 1 Minute 40 Seconds
- B 1 Minute 50 Seconds
- C 2 Minutes
- D 2 Minutes 10 Seconds
- E 2 Minutes 20 Seconds
- F 3 Minutes

**L3 Burg Bell Timeout**

- 1 3 Minutes
- 2 6 Minutes
- 3 9 Minutes
- 4 12 Minutes
- 5 15 Minutes
- 6 18 Minutes
- 7 21 Minutes
- 8 24 Minutes
- 9 27 Minutes
- A 30 Minutes
- B 33 Minutes
- C 36 Minutes
- D 39 Minutes
- E 42 Minutes
- F Infinite

**L4 Fire Bell Timeout**

- 1 3 Minutes
- 2 6 Minutes
- 3 9 Minutes
- 4 12 Minutes
- 5 15 Minutes
- 6 18 Minutes
- 7 21 Minutes
- 8 24 Minutes
- 9 27 Minutes
- A 30 Minutes
- B 33 Minutes
- C 36 Minutes
- D 39 Minutes
- E 42 Minutes
- F Infinite

**\*07 Misc System Options**

| 6 | 5 | 0 | 0 |  
L1 L2 L3 L4

**L1 Entry Delay 2 (Zones 4 to 6 only)**

- 0 1 Second
- 1 6 Seconds
- 2 10 Seconds
- 3 15 Seconds
- 4 20 Seconds
- 5 25 Seconds
- 6 30 Seconds
- 7 35 Seconds
- 8 40 Seconds
- 9 45 Seconds
- A 50 Seconds
- B 55 Seconds
- C 1 Minute
- D 1 Minute, 5 Seconds
- E 1 Minute, 10 Seconds
- F 3 Minutes

**L2 Ring Count, Dialer Delay**

- 0 Downloading Disabled
- 1 2 Rings to Answer Downloader
- 2 4 Rings to Answer Downloader
- 3 6 Rings to Answer Downloader
- 4 8 Rings to Answer Downloader
- 5 10 Rings to Answer Downloader
- 6 12 Rings to Answer Downloader
- 7 14 Rings to Answer Downloader
- 8 Downloading Disabled, 15 Second Dialer Delay
- 9 2 Rings to Answer Downloader, 15 Sec Dialer Delay
- A 4 Rings to Answer Downloader, 15 Sec Dialer Delay
- B 6 Rings to Answer Downloader, 15 Sec Dialer Delay
- C 8 Rings to Answer Downloader, 15 Sec Dialer Delay
- D 10 Rings to Answer Downloader, 15 Sec Dialer Delay
- E 12 Rings to Answer Downloader, 15 Sec Dialer Delay
- F 14 Rings to Answer Downloader, 15 Sec Dialer Delay

**L3 & L4 Trigger Types**

- 0 Smoke Power Output/Fire Power Output Reset
- 1 Fire Bell ON, Follows Fire Bell Timer
- 2 Burg Bell ON, Follows Burg Bell Timer
- 3 Phone Line Seizure, Follows Line Seizure Relay
- 4 Ready, Follows Ready LED
- 5 Armed, Follows Armed LED (Steady States Only)
- 6 Exit Time, ON during Exit Time
- 7 Entry Time, ON during Entry Time
- 8 Fire Only Latch, ON w/Fire Bell, OFF w/Code
- 9 Burg Only Latch, ON w/Burg Bell, OFF w/Code
- A Strobe, ON Steady w/Burg, OFF w/Code
- B Panic Alarm, Zone 7 (Hardwire Panic) ON w/Alarm, OFF w/Code
- C Shock Reset, \* Activates for 2-6 Seconds
- D Shock Code Reset, Normally Sinking, Floats when Armed for 2-6 Seconds

# FBI XL-2G Gold Program Sheet

*08 Account 1	 L1 L2 L3 L4	
*09 Account 2	 L1 L2 L3 L4	(Not programmed)
*10 Zone 1 Programming	?   ?   3   1   L1 L2 L3 L4	(Sends 31)
*11 Zone 2 Programming	?   ?   3   2   L1 L2 L3 L4	(Sends 32)
*12 Zone 3 Programming	?   ?   3   3   L1 L2 L3 L4	(Sends 33)
*13 Zone 4 Programming	?   ?   3   4   L1 L2 L3 L4	(Sends 34)
*14 Zone 5 Programming	?   ?   3   5   L1 L2 L3 L4	(Sends 35)
*15 Zone 6 Programming	?   ?   3   6   L1 L2 L3 L4	(Sends 36, if Smoke Detector use 8416)

**L1 & L2 Zone Types**

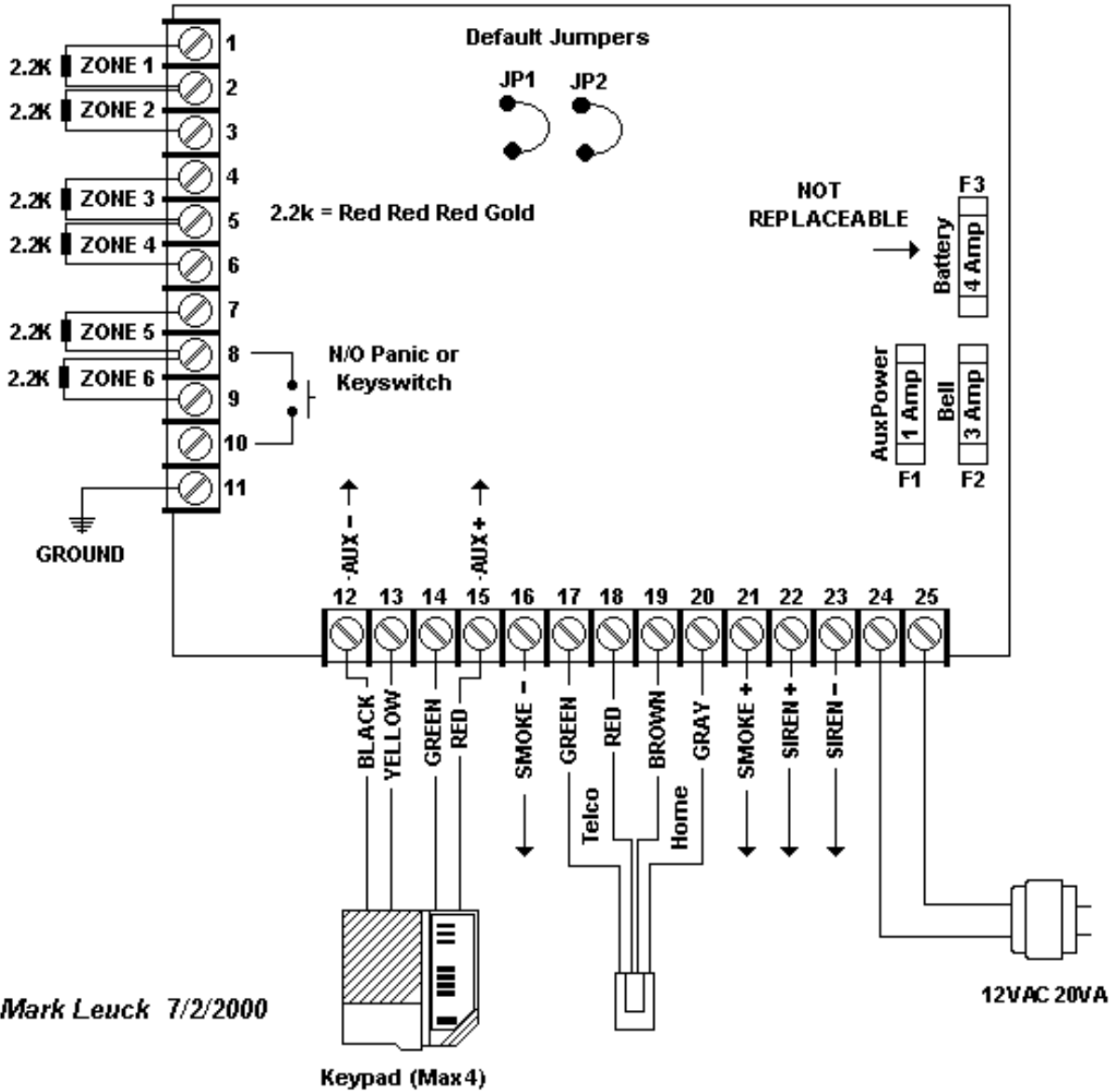
10 Perimeter	44 Interior, Chime
11 Perimeter, Bypass in Stay	45 Interior, Chime, Bypass in Stay
12 Perimeter, Day Zone	48 Interior, Fast Zone
13 Perimeter, Day, Bypass in Stay	49 Interior, Bypass in Stay, Fast Zone
14 Perimeter, Chime	4C Interior, Chime, Bypass in Stay
15 Perimeter, Chime, Bypass in Stay	4D Interior, Chime, Bypass in Stay, Fast Zn
18 Perimeter, Fast Zone	
19 Perimeter, Bypass in Stay, Fast Zone	<b>24 Hour Zones</b>
1A Perimeter, Day, Fast Zone	81 Alarm Audible
1B Perimeter, Day, Bypass in Stay, Fast Zn	82 Trouble, Audible
1C Perimeter, Chime, Fast Zone	84 Fire
1D Perimeter, Chime, Bypass in Stay, Fast	89 Alarm Silent
20 Delay	8A Trouble, Silent (LED Only)
21 Delay, Bypass in Stay	
24 Delay, Chime	
25 Delay, Chime, Bypass in Stay	
40 Interior	
41 Interior, Bypass in Stay	

*16 Ambush/AC Loss	2   6   7   9   L1 L2 L3 L4	(Ambush = 26. AC Loss = 79)
*17 Panic/Low Battery	2   9   7   8   L1 L2 L3 L4	(Panic = 29. Low Battery = 78)
*18 Open/Close/Test	A   A   A   A   L1 L2 L3 L4	(For Opening/Closings use 5 6 A A)
*19 Bypass/Restore/Trouble/Cancel	A   A   7   D   L1 L2 L3 L4	(Fire Trouble sends 7 + Zone)
*21 Keypad Fire/Medical Panics	1   9   4   9   L1 L2 L3 L4	(Fire Panic = 19. Medical Panic = 78)
*00 Installer Code	2   4   6   8   L1 L2 L3 L4	

**FBI LCD Keypad Programming**

*21 Zone 1 Alpha Description	Up to 12 Digits	0	Inserts Space, moves cursor one space right
*22 Zone 2 Alpha Description	Up to 12 Digits	CODE	Mose cursor left one space
*23 Zone 3 Alpha Description	Up to 12 Digits	INSTANT	Moves cursor right one space
*24 Zone 4 Alpha Description	Up to 12 Digits	7	Moves up through all characters
*25 Zone 5 Alpha Description	Up to 12 Digits	*7	Scrolls rapidly up through all characters
*26 Zone 6 Alpha Description	Up to 12 Digits	9	Moves down through all characters

# FBI XL-2G Gold Program Sheet



Mark Leuck 7/2/2000

Property

# Monitronics Monitoring and Service: 1-800-447-9239

## FBI XL-2G Gold Quick Reference Guide

Arm Away	Enter User Code, ARM light will turn on
Arm Stay	Press STAY + User Code When system is disarmed the motions will return to normal
Arm Instant	Press INSTANT key + User Code or INSTANT + STAY + User Code All zones will return to normal when system is disarmed
Disarming / Silencing Alarms	Enter User Code If disarming after an alarm enter User Code again to clear any Alarm Displays
Zone Bypassing	Press BYPASS key + User Code + Zone to Bypass (1 to 6) To bypass more zones press BYPASS key then any other zone you wish to bypass Bypassed zones will return to normal when you arm then disarm your system
User Codes	Press CODE + Master Code Enter User to add or change (2 to 5) Enter new 4-digit User Code (keypad will beep indicating you have successfully entered the code) To delete a User Code repeat above steps except press * instead of entering a new User Code <i>NOTE: The 1<sup>st</sup> code is the Master code, the 6<sup>th</sup> code is a Duress/Hostage code (if programmed)</i>
Reset Smoke Detector	Enter User Code then *. The smoke detector will be reset after a few seconds
Trouble Indicators	if AC/LB light is OFF the AC power has failed if AC/LB light is FLASHING the backup battery is low and needs to recharge or be replaced
Door Chimes	Press # 6 to enable or disable
Panic Buttons	Press * and # for Police Panic Press 1 and 3 for Medical Panic (Fire and Medical Panics may not be enabled on some systems) Press 7 and 9 for Fire Panic If keypad has separate Police, Fire and Medical keys press both at same time to use