

DSC Power864/PC5020 Program Sheet

Report Format SIA, Contact ID, 4/2, 3/1, SIA preferred
 Enter Program * 8 5010 (PROGRAM or SYSTEM light should flash, if long beep Code incorrect)
 Exit Program #
 Move to location Enter 3-digit location, some areas may require # to exit
 Default Panel 1. Connect wire from Zone 1 to PGM1
 2. Power up panel, wait 10 seconds
 3. If Zone 1 turns ON panel is defaulted, if not panel is locked
 Hex Program A = * 1 * B = * 2 * C = * 3 * D = * 4 * E = * 5 * F = * 6 *

[000] Keypad Assignment (must be done at each keypad)

[0] Slot (Valid entries 0 (Global) or 1 to 2 for Partition 1 to 8 and 1 to 8 for Slot)
 [1] Function Key 1 Assignment (Default = 03)
 [2] Function Key 2 Assignment (Default = 04)
 [3] Function Key 3 Assignment (Default = 06)
 [4] Function Key 4 Assignment (Default = 14)
 [5] Function Key 5 Assignment (Default = 16)

00 Null Key (Not Used)	11 * 5 User Programming	22 Active Camera Monitor Selection
01 Select Partition 1	12 * 6 User Functions	23 Bypass Recall
02 Select Partition 2	13 * 7 1 Command Output #1	24 Recall Bypass Group
03 Stay Arm	14 * 7 2 Command Output #2	25 For future use
04 Away Arm	15 General Voice Prompt Help	26 For future use
05 * 9 No-Entry Arm	(Voice prompts require ESCORT)	27 Select Partition 3
06 * 4 Chime On/Off	16 * 0 Quick Exit	28 Select Partition 4
07 * 6 4 System Test	17 * 1 Reactivate Stay/Away's	29 Select Partition 5
08 * 1 Bypass Mode	18 Identified Voice Prompt Help	30 Select Partition 6
09 * 2 Trouble Display	19 * 7 3 Command Output #3	31 Select Partition 7
09 * 2 Trouble Display	20 For future use	32 Select Partition 8
10 * 3 Alarm Memory	21 * 7 4 Command Output #4	

If multiple LCD keypads one must be set to slot 8 to program Zone description by downloading

[001] Zone 1-8 Definitions

Default	Default	
01 Zone 01	00 Zone 09	00 = Null Zone
03 Zone 02	00 Zone 10	01 = Delay 1
03 Zone 03	00 Zone 11	02 = Delay 2
03 Zone 04	00 Zone 12	03 = Instant
04 Zone 05	00 Zone 13	04 = Interior
04 Zone 06	00 Zone 14	05 = Interior Stay/Away
04 Zone 07	00 Zone 15	06 = Delay Stay/Away
04 Zone 08	00 Zone 16	07 = Delay 24hr Fire
		08 = Standard 24hr Fire
		09 = 24 Hr Supervisory (Links)
		10 = 24 Hr Supervisory Buzzer
		11 = 24 Hr Burglary
		12 = 24 Hr Holdup
		13 = 24 Hr Gas
		14 = 24 Hr Heat
		15 = 24 Hr Medical
		16 = 24 Hr Panic
		17 = 24 Hr Emergency
		18 = 24 Hr Sprinkler
		19 = 24 Hr Water
		20 = 24 Hr Freeze
		21 = 24 Hr Latching Tamper
		22 = Momentary Keyswitch Arm
		23 = Maintained Keyswitch Arm
		24 = Links Answer
		25 = Links Answer
		26 = 24 Hr Non-Alarm
		27 = Delayed 24 Hr Waterflow
		28 = Instant 24 Hr Waterflow
		29 = Auto Verified Fire Zone
		30 = Fire Supervisory Zone
		31 = Day Zone
		87 = Delayed 24 Hr Fire (Wireless)
		88 = Standard 24 Hr Fire (Wireless)

[002] Zone 17-32 Definitions

Default	Default
00 Zone 17	00 Zone 25
00 Zone 18	00 Zone 26
00 Zone 19	00 Zone 27
00 Zone 20	00 Zone 28
00 Zone 21	00 Zone 29
00 Zone 22	00 Zone 30
00 Zone 23	00 Zone 31
00 Zone 24	00 Zone 32

[003] Zone 33-48 Definitions

Default	Default
00 Zone 33	00 Zone 41
00 Zone 34	00 Zone 42
00 Zone 35	00 Zone 43
00 Zone 36	00 Zone 44
00 Zone 37	00 Zone 45
00 Zone 38	00 Zone 46
00 Zone 39	00 Zone 47
00 Zone 40	00 Zone 48

DSC Power864/PC5020 Program Sheet

[004] Zone 49-64 Definitions

Default	Default
00 Zone 49	00 Zone 57
00 Zone 50	00 Zone 58
00 Zone 51	00 Zone 59
00 Zone 52	00 Zone 60
00 Zone 53	00 Zone 61
00 Zone 54	00 Zone 62
00 Zone 55	00 Zone 63
00 Zone 56	00 Zone 64

[005] Partition System Times (enter section then 01 to 09 sub-section for Partition 1 to 8)

[01] Partition 1	[02] Partition 2
Default	Default
030 Entry Delay 1 [030-255 seconds]	030 Entry Delay 1 [030-255 seconds]
045 Entry Delay 2 [030-255 seconds]	045 Entry Delay 2 [030-255 seconds]
120 Exit Delay [045-255 seconds]	120 Exit Delay [045-255 seconds]
[03] Partition 3	[04] Partition 4
Default	Default
030 Entry Delay 1 [030-255 seconds]	030 Entry Delay 1 [030-255 seconds]
045 Entry Delay 2 [030-255 seconds]	045 Entry Delay 2 [030-255 seconds]
120 Exit Delay [045-255 seconds]	120 Exit Delay [045-255 seconds]
[05] Partition 5	[06] Partition 6
Default	Default
030 Entry Delay 1 [030-255 seconds]	030 Entry Delay 1 [030-255 seconds]
045 Entry Delay 2 [030-255 seconds]	045 Entry Delay 2 [030-255 seconds]
120 Exit Delay [045-255 seconds]	120 Exit Delay [045-255 seconds]
[07] Partition 7	[08] Partition 8
Default	Default
030 Entry Delay 1 [030-255 seconds]	030 Entry Delay 1 [030-255 seconds]
045 Entry Delay 2 [030-255 seconds]	045 Entry Delay 2 [030-255 seconds]
120 Exit Delay [045-255 seconds]	120 Exit Delay [045-255 seconds]

[09] Partition 7
Default
006 | | | | Bell Cut-off [001-255 minutes]

[006] Installer's Code

Default
5555 | | | |

[007] Master Code

Default
1234 | | | |

[008] Maintenance Code

Default
AAAA | | | |

[009] PCS5020 PGM Output Programming (PGM 1 & 2)

Default
19 | | | | PGM 01
10 | | | | PGM 02

00 = Not Used	13 = Kissoff Output
01 = Burg/Fire Bell Output	14 = Ground Start Pulse
02 = For Future Use	15 = Remote Operation
03 = Sensor Reset (4-wire Smokes *72)	16 = Links 1000 Support
04 = 2-wire Smoke Support (PGM2 only)	17 = Away Armed Status
05 = System Armed Status	18 = Stay Armed Status
06 = Ready To Arm	19 = Command Output 1 *71
07 = Keypad Buzzer Follow Mode	20 = Command Output 2 *72
08 = Courtesy Pulse (Entry/Exit time + 2 minutes)	21 = Command Output 3 *73
09 = System Trouble Output	22 = Command Output 4 *74
10 = Latched System Event/Strobe	23 = 24 Hr Silent Input
11 = System Tamper	24 = 24 Hr Audible Input
12 = TLM and Alarm	25 = Delayed Fire and Burg Output

DSC Power864/PC5020 Program Sheet

[010] PC5020 / PC5208 PGM Output Programming (PGM 3-10)

Default	Default
01 <input type="checkbox"/> <input type="checkbox"/> PGM 03 (PC5020/PC5208)	01 <input type="checkbox"/> <input type="checkbox"/> PGM 07 (PC5208)
01 <input type="checkbox"/> <input type="checkbox"/> PGM 04 (PC5020/PC5208)	01 <input type="checkbox"/> <input type="checkbox"/> PGM 08 (PC5208)
01 <input type="checkbox"/> <input type="checkbox"/> PGM 05 (PC5208)	01 <input type="checkbox"/> <input type="checkbox"/> PGM 09 (PC5208)
01 <input type="checkbox"/> <input type="checkbox"/> PGM 06 (PC5208)	01 <input type="checkbox"/> <input type="checkbox"/> PGM 10 (PC5208)

[011] PCS5204 PGM Output Programming (PGM 11-14)

Default	Default
01 <input type="checkbox"/> <input type="checkbox"/> PGM 11 (PC5208)	01 <input type="checkbox"/> <input type="checkbox"/> PGM 13 (PC5208)
01 <input type="checkbox"/> <input type="checkbox"/> PGM 12 (PC5208)	01 <input type="checkbox"/> <input type="checkbox"/> PGM 14 (PC5208)

[012] Keypad Lockout Options

Default

000 <input type="checkbox"/> <input type="checkbox"/> <input type="checkbox"/> <input type="checkbox"/> Number of Invalid Codes Before Lockout	
000 <input type="checkbox"/> <input type="checkbox"/> <input type="checkbox"/> <input type="checkbox"/> Lockout Duration (in minutes)	

[013] First System Option Code

Default	(Toggle Zone lights ON or OFF then # to exit)
Option ON	OFF
OFF <input type="checkbox"/> <input type="checkbox"/> 1 Normally Closed Loops	End-of-Line Resistors
OFF <input type="checkbox"/> <input type="checkbox"/> 2 Double End-of-Line Resistors	Single End-of-Line Resistors
ON <input type="checkbox"/> <input type="checkbox"/> 3 Panels shows Trouble when Armed	Panel shows Fire Trouble only when Armed
OFF <input type="checkbox"/> <input type="checkbox"/> 4 Tamper/Fault do not show open	Tampers/Fault show open
OFF <input type="checkbox"/> <input type="checkbox"/> 5 For Future Use	
ON <input type="checkbox"/> <input type="checkbox"/> 6 Audible Exit Fault Enabled	Audible Exit Fault Disabled
ON <input type="checkbox"/> <input type="checkbox"/> 7 Event Buffer follows Swinger	Event Buf Logs Events Past swinger
OFF <input type="checkbox"/> <input type="checkbox"/> 8 Temporal Three Fire Signal Enabled	Standard Pulsed Fire

[014] Second System Option Code

Default	(Toggle Zone lights ON or OFF then # to exit)
Option ON	OFF
OFF <input type="checkbox"/> <input type="checkbox"/> 1 Arm/Disarm Bell Squawk enable	Arm/Disarm Bell Squawk disable
OFF <input type="checkbox"/> <input type="checkbox"/> 2 Bell Squawk During Auto Arm	No Bell Squawk
ON <input type="checkbox"/> <input type="checkbox"/> 3 Bell Squawk On Exit Delay	No Bell Squawk
OFF <input type="checkbox"/> <input type="checkbox"/> 4 Bell Squawk On Entry Delay	No Bell Squawk
OFF <input type="checkbox"/> <input type="checkbox"/> 5 Bell Squawk On Trouble	No Bell Squawk
ON <input type="checkbox"/> <input type="checkbox"/> 6 Audible Exit Beeps	Silent Exit Delay
OFF <input type="checkbox"/> <input type="checkbox"/> 7 Exit Delay Termination Enabled	Exit Del. Termination Disabled
OFF <input type="checkbox"/> <input type="checkbox"/> 8 Fire Bell is Continuous	Fire Bell follows Bell Cut-Off

[015] Third System Option Code

Default	(Toggle Zone lights ON or OFF then # to exit)
Option ON	OFF
ON <input type="checkbox"/> <input type="checkbox"/> 1 [F] Keys Enabled	Fire Keys Disabled
OFF <input type="checkbox"/> <input type="checkbox"/> 2 Panic Keys Audible	Panic Keys Silent
OFF <input type="checkbox"/> <input type="checkbox"/> 3 Quick Exit Enabled	Quick Exit Disabled
ON <input type="checkbox"/> <input type="checkbox"/> 4 Quick Arming Enabled	Function Keys Disabled
	Function Keys do not require Code
OFF <input type="checkbox"/> <input type="checkbox"/> 5 Code Required for Bypassing	Code not Required
OFF <input type="checkbox"/> <input type="checkbox"/> 6 Master Code Not Changable	Master Code Changable
ON <input type="checkbox"/> <input type="checkbox"/> 7 TLM Enabled (Phone Monitor)	TLM Disabled
OFF <input type="checkbox"/> <input type="checkbox"/> 8 TLM Audible When Armed	TLM Trouble Only W/Armed

[016] Fourth System Option Code

Default	(Toggle Zone lights ON or OFF then # to exit)
Option ON	OFF
ON <input type="checkbox"/> <input type="checkbox"/> 1 AC Trouble Displayed	AC Trouble not Displayed
OFF <input type="checkbox"/> <input type="checkbox"/> 2 Trouble Flashes if AC Fails	Trouble doesn't follow AC
ON <input type="checkbox"/> <input type="checkbox"/> 3 Blank KP When Not Used	Keypad always Active
OFF <input type="checkbox"/> <input type="checkbox"/> 4 Code Req. to Stop KP Blanking	No Code Required
OFF <input type="checkbox"/> <input type="checkbox"/> 5 Keypad Backlight Enabled	Keypad Backlighting Disabled
OFF <input type="checkbox"/> <input type="checkbox"/> 6 Power Save Mode Enabled	Power Save Mode Disabled
OFF <input type="checkbox"/> <input type="checkbox"/> 7 Bypass Shows while Armed	Bypass doesn't show/Armed
OFF <input type="checkbox"/> <input type="checkbox"/> 8 Keypad Tampers enabled	Keypad Tampers disabled

[017] Fifth System Option Code

Default	(Toggle Zone lights ON or OFF then # to exit)
Option ON	OFF
ON <input type="checkbox"/> <input type="checkbox"/> 1 WLS Keyfob does not use Code	WLS Keyfob uses Code
ON <input type="checkbox"/> <input type="checkbox"/> 2 Auto Arm chedule in *6	In Installer Programming Only
ON <input type="checkbox"/> <input type="checkbox"/> 3 Audible RF Jam Trouble Beeps	Silent RF Trouble Jam Beeps
ON <input type="checkbox"/> <input type="checkbox"/> 4 Double Hit Enabled	Disabled
OFF <input type="checkbox"/> <input type="checkbox"/> 5 Late to Close Enabled	Disabled
OFF <input type="checkbox"/> <input type="checkbox"/> 6 Daylight Savings Time Enabled	Disabled
ON <input type="checkbox"/> <input type="checkbox"/> 7 Periodic Camera Test Enabled	Disabled
OFF <input type="checkbox"/> <input type="checkbox"/> 8 Squawk on Away Arm/Disarm only	Bell Squawk on all Arm/Disarms

DSC Power864/PC5020 Program Sheet

[018] Sixth System Option Code

(Toggle Zone lights ON or OFF then # to exit)

Default Option ON OFF

- | | |
|---|--------------------------------------|
| OFF OFF 1 Test Transmission Exception Enabled | Test Transmission Exception Disabled |
| OFF OFF 2 Verbal Chime is Enabled | Verbal Chime is Disabled |
| OFF OFF 3 Verbal Alarm is Enabled | Verbal Alarm is Disabled |
| OFF OFF 4 Water-Flow Silence Inhibit Enabled | Water-Flow Silence Inhibit Disabled |
| OFF OFF 5 Keypad Buzzer Follows Bell Enabled | Keypad Buzzer Follows Bell Disabled |
| ON ON 6 Cross Zoning is Enabled | Police Code is Enabled |
| OFF OFF 7 Exit Delay Restart Enabled | Exit Delay Restart Disabled |
| OFF OFF 8 For Future Use | |

[020] Keypad Zone Assignments (If using Z type keypads)

Default

- 00 | | | Keypad (Slot 1) Zone Valid entries are 01-64
 00 | | | Keypad (Slot 2) Zone
 00 | | | Keypad (Slot 3) Zone
 00 | | | Keypad (Slot 4) Zone
 00 | | | Keypad (Slot 5) Zone
 00 | | | Keypad (Slot 6) Zone
 00 | | | Keypad (Slot 7) Zone
 00 | | | Keypad (Slot 8) Zone

First assign keypad slot in 000 section 0 (11 to 18)
 (Keypad added as 11 would be Slot 1 here, 18 is Slot 8)
 then add Zone number here in proper slot
 (Ex: Zone 07 to Keypad 12 enter 00 07 00 00 00 00 00)
 (Keypad zones over-ride regular hardwire zones)
[Click HERE for Keypad Zone Wiring\(linkID=1715\)](#)

[030] Zone Loop Response

Default

Option ON

OFF

- | | |
|---------------------------------|--------------------------------|
| ON ON 1 Zone 1 is Fast Loop | Zone 1 is Normal Loop Response |
| ON ON 2 Zone 2 is Fast Loop | Zone 2 is Normal Loop Response |
| ON ON 3 Zone 3 is Fast Loop | Zone 3 is Normal Loop Response |
| ON ON 4 Zone 4 is Fast Loop | Zone 4 is Normal Loop Response |
| ON ON 5 Zone 5 is Fast Loop | Zone 5 is Normal Loop Response |
| ON ON 6 Zone 6 is Fast Loop | Zone 6 is Normal Loop Response |
| ON ON 7 Zone 7 is Fast Loop | Zone 7 is Normal Loop Response |
| ON ON 8 Zone 8 is Fast Loop | Zone 8 is Normal Loop Response |

Zone Attributes

		Opt 1	Opt 2	Opt 3	Opt 4	Opt 5	Opt 6	Opt 7	Opt 8	Opt 9
	ON	Audible	Steady	Chime	Bypass	Force	Swinger	Tx Delay	Wireless	Cross Zone
	OFF	Silent	Pulsed	No	No	No	No	No	No	No
[101] Zone 1										
[102] Zone 2										
[103] Zone 3										
[104] Zone 4										
[105] Zone 5										
[106] Zone 6										
[107] Zone 7										
[108] Zone 8										

all the way to

[164] Zone 64 | | | | | | | | | |

[160] Maximum Dialing Attempts to Each Phone Number

Default: 008 | | | | Valid entries are 001-255 attempts (Do not enter 000)

[161] Post Dial Wait for Handshake

Default: 040 | | | | Valid entries are 001-255 seconds

[164] PGM Output Timer

Default: 005 | | | | Valid entries are 001-255 seconds

[170] Auto ARm Postpone Timer

Default: 000 | | | | Valid entries are 001-255 minutes, 000 disables

[176] Burglary Verified Timer (Cross Zone timer)

Default: 000 | | | | Valid entries are 001-255 minutes

[177] Waterflow Delay Timer

Default: 000 | | | | Valid entries are 001-255 seconds

[178] Alarm time Period for Verbal Alarm

Default: 015 | | | | Valid entries are 001-255 seconds

DSC Power864/PC5020 Program Sheet

Auto-Arm Schedule (Valid entries are 0000-2359 Default: 9999)

[181] Partition 1 Arm Shedule

Sunday				
Monday				
Tuesday				
Wednesday				
Thursday				
Friday				
Saturday				

[185] Partition 5 Arm Shedule

Sunday				
Monday				
Tuesday				
Wednesday				
Thursday				
Friday				
Saturday				

[182] Partition 2 Arm Shedule

Sunday				
Monday				
Tuesday				
Wednesday				
Thursday				
Friday				
Saturday				

[186] Partition 6 Arm Shedule

Sunday				
Monday				
Tuesday				
Wednesday				
Thursday				
Friday				
Saturday				

[183] Partition 3 Arm Shedule

Sunday				
Monday				
Tuesday				
Wednesday				
Thursday				
Friday				
Saturday				

[187] Partition 7 Arm Shedule

Sunday				
Monday				
Tuesday				
Wednesday				
Thursday				
Friday				
Saturday				

[184] Partition 4 Arm Shedule

Sunday				
Monday				
Tuesday				
Wednesday				
Thursday				
Friday				
Saturday				

[188] Partition 8 Arm Shedule

Sunday				
Monday				
Tuesday				
Wednesday				
Thursday				
Friday				
Saturday				

[190] No Activity Arming Pre-Alert Time (All Partitions)

Default: 001 | | | | Valid entries are 001-255 seconds, 000 = no Pre-alert

[191] Partition 1 No Activity Timer

Default: 000 | | | | Valid entries are 001-255 seconds, 000 = Disable

[192] Partition 2 No Activity Timer

Default: 000 | | | | Valid entries are 001-255 seconds, 000 = Disable

[193] Partition 3 No Activity Timer

Default: 000 | | | | Valid entries are 001-255 seconds, 000 = Disable

[194] Partition 4 No Activity Timer

Default: 000 | | | | Valid entries are 001-255 seconds, 000 = Disable

[195] Partition 5 No Activity Timer

Default: 000 | | | | Valid entries are 001-255 seconds, 000 = Disable

[196] Partition 6 No Activity Timer

Default: 000 | | | | Valid entries are 001-255 seconds, 000 = Disable

[197] Partition 7 No Activity Timer

Default: 000 | | | | Valid entries are 001-255 seconds, 000 = Disable

[198] Partition 8 No Activity Timer

Default: 000 | | | | Valid entries are 001-255 seconds, 000 = Disable

DSC Power864/PC5020 Program Sheet

[201] Partition Mask

Default	Option ON	OFF
ON <u>ON</u>	1 Partition 1 is Enabled	Partition 1 is Disabled
OFF <u>OFF</u>	2 Partition 2 is Enabled	Partition 2 is Disabled
OFF <u>OFF</u>	3 Partition 3 is Enabled	Partition 3 is Disabled
OFF <u>OFF</u>	4 Partition 4 is Enabled	Partition 4 is Disabled
OFF <u>OFF</u>	5 Partition 5 is Enabled	Partition 5 is Disabled
OFF <u>OFF</u>	6 Partition 6 is Enabled	Partition 6 is Disabled
OFF <u>OFF</u>	7 Partition 7 is Enabled	Partition 7 is Disabled
OFF <u>OFF</u>	8 Partition 8 is Enabled	Partition 8 is Disabled

[202] Partition 1 Selection Mask (Zn 01 to 18)

Default	Option ON
ON <u>ON</u>	1 Zone 1 Enabled
ON <u>ON</u>	2 Zone 2 Enabled
ON <u>ON</u>	3 Zone 3 Enabled
ON <u>ON</u>	4 Zone 4 Enabled
ON <u>ON</u>	5 Zone 5 Enabled
ON <u>ON</u>	6 Zone 6 Enabled
ON <u>ON</u>	7 Zone 7 Enabled
ON <u>ON</u>	8 Zone 8 Enabled

[203] Partition 1 Selection Mask (Zn 09 to 16)

Default	Option ON
OFF <u>OFF</u>	1 Zone 9 Enabled
OFF <u>OFF</u>	2 Zone 10 Enabled
OFF <u>OFF</u>	3 Zone 11 Enabled
OFF <u>OFF</u>	4 Zone 12 Enabled
OFF <u>OFF</u>	5 Zone 13 Enabled
OFF <u>OFF</u>	6 Zone 14 Enabled
OFF <u>OFF</u>	7 Zone 15 Enabled
OFF <u>OFF</u>	8 Zone 16 Enabled

[204] Partition 1 Selection Mask (Zn 17 to 24)

Default	Option ON
OFF <u>OFF</u>	1 Zone 17 Enabled
OFF <u>OFF</u>	2 Zone 18 Enabled
OFF <u>OFF</u>	3 Zone 19 Enabled
OFF <u>OFF</u>	4 Zone 20 Enabled
OFF <u>OFF</u>	5 Zone 21 Enabled
OFF <u>OFF</u>	6 Zone 22 Enabled
OFF <u>OFF</u>	7 Zone 23 Enabled
OFF <u>OFF</u>	8 Zone 24 Enabled

[205] Partition 1 Selection Mask (Zn 251 to 32)

Default	Option ON
OFF <u>OFF</u>	1 Zone 25 Enabled
OFF <u>OFF</u>	2 Zone 26 Enabled
OFF <u>OFF</u>	3 Zone 27 Enabled
OFF <u>OFF</u>	4 Zone 28 Enabled
OFF <u>OFF</u>	5 Zone 29 Enabled
OFF <u>OFF</u>	6 Zone 30 Enabled
OFF <u>OFF</u>	7 Zone 31 Enabled
OFF <u>OFF</u>	8 Zone 32 Enabled

[206] Partition 1 Selection Mask (Zn 33 to 40)

Default	Option ON
OFF <u>OFF</u>	1 Zone 33 Enabled
OFF <u>OFF</u>	2 Zone 34 Enabled
OFF <u>OFF</u>	3 Zone 35 Enabled
OFF <u>OFF</u>	4 Zone 36 Enabled
OFF <u>OFF</u>	5 Zone 37 Enabled
OFF <u>OFF</u>	6 Zone 38 Enabled
OFF <u>OFF</u>	7 Zone 39 Enabled
OFF <u>OFF</u>	8 Zone 40 Enabled

[207] Partition 1 Selection Mask (Zn 41 to 48)

Default	Option ON
OFF <u>OFF</u>	1 Zone 41 Enabled
OFF <u>OFF</u>	2 Zone 42 Enabled
OFF <u>OFF</u>	3 Zone 43 Enabled
OFF <u>OFF</u>	4 Zone 44 Enabled
OFF <u>OFF</u>	5 Zone 45 Enabled
OFF <u>OFF</u>	6 Zone 46 Enabled
OFF <u>OFF</u>	7 Zone 47 Enabled
OFF <u>OFF</u>	8 Zone 48 Enabled

[208] Partition 1 Selection Mask (Zn 49 to 56)

Default	Option ON
OFF <u>OFF</u>	1 Zone 49 Enabled
OFF <u>OFF</u>	2 Zone 50 Enabled
OFF <u>OFF</u>	3 Zone 51 Enabled
OFF <u>OFF</u>	4 Zone 52 Enabled
OFF <u>OFF</u>	5 Zone 53 Enabled
OFF <u>OFF</u>	6 Zone 54 Enabled
OFF <u>OFF</u>	7 Zone 55 Enabled
OFF <u>OFF</u>	8 Zone 56 Enabled

[209] Partition 1 Selection Mask (Zn 57 to 64)

Default	Option ON
OFF <u>OFF</u>	1 Zone 57 Enabled
OFF <u>OFF</u>	2 Zone 58 Enabled
OFF <u>OFF</u>	3 Zone 59 Enabled
OFF <u>OFF</u>	4 Zone 60 Enabled
OFF <u>OFF</u>	5 Zone 61 Enabled
OFF <u>OFF</u>	6 Zone 62 Enabled
OFF <u>OFF</u>	7 Zone 63 Enabled
OFF <u>OFF</u>	8 Zone 64 Enabled

Partition 2 Zone Assignments

[210] Partition 2 Selection Mask (Zn 01 to 18)

Default	Option ON
OFF <u>OFF</u>	1 Zone 1 Enabled
OFF <u>OFF</u>	2 Zone 2 Enabled
OFF <u>OFF</u>	3 Zone 3 Enabled
OFF <u>OFF</u>	4 Zone 4 Enabled
OFF <u>OFF</u>	5 Zone 5 Enabled
OFF <u>OFF</u>	6 Zone 6 Enabled
OFF <u>OFF</u>	7 Zone 7 Enabled
OFF <u>OFF</u>	8 Zone 8 Enabled

[211] Partition 2 Selection Mask (Zn 09 to 16)

Default	Option ON
OFF <u>OFF</u>	1 Zone 9 Enabled
OFF <u>OFF</u>	2 Zone 10 Enabled
OFF <u>OFF</u>	3 Zone 11 Enabled
OFF <u>OFF</u>	4 Zone 12 Enabled
OFF <u>OFF</u>	5 Zone 13 Enabled
OFF <u>OFF</u>	6 Zone 14 Enabled
OFF <u>OFF</u>	7 Zone 15 Enabled
OFF <u>OFF</u>	8 Zone 16 Enabled

[212] Partition 2 Selection Mask (Zn 17 to 24)

[213] Partition 2 Selection Mask (Zn 251 to 32)

[214] Partition 2 Selection Mask (Zn 33 to 40)

[215] Partition 2 Selection Mask (Zn 41 to 48)

[216] Partition 2 Selection Mask (Zn 49 to 56)

[217] Partition 2 Selection Mask (Zn 57 to 64)

DSC Power864/PC5020 Program Sheet

Partition 3 Zone Assignments

[218] Partition 3 Selection Mask (Zn 01 to 18)

Default	Option ON
OFF <u>OFF</u>	1 Zone 1 Enabled
OFF <u>OFF</u>	2 Zone 2 Enabled
OFF <u>OFF</u>	3 Zone 3 Enabled
OFF <u>OFF</u>	4 Zone 4 Enabled
OFF <u>OFF</u>	5 Zone 5 Enabled
OFF <u>OFF</u>	6 Zone 6 Enabled
OFF <u>OFF</u>	7 Zone 7 Enabled
OFF <u>OFF</u>	8 Zone 8 Enabled

[220] Partition 3 Selection Mask (Zn 17 to 24)

[222] Partition 3 Selection Mask (Zn 33 to 40)

[224] Partition 3 Selection Mask (Zn 49 to 56)

Partition 4 Zone Assignments

[226] Partition 4 Selection Mask (Zn 01 to 18)

Default	Option ON
OFF <u>OFF</u>	1 Zone 1 Enabled
OFF <u>OFF</u>	2 Zone 2 Enabled
OFF <u>OFF</u>	3 Zone 3 Enabled
OFF <u>OFF</u>	4 Zone 4 Enabled
OFF <u>OFF</u>	5 Zone 5 Enabled
OFF <u>OFF</u>	6 Zone 6 Enabled
OFF <u>OFF</u>	7 Zone 7 Enabled
OFF <u>OFF</u>	8 Zone 8 Enabled

[228] Partition 4 Selection Mask (Zn 17 to 24)

[230] Partition 4 Selection Mask (Zn 33 to 40)

[232] Partition 4 Selection Mask (Zn 49 to 56)

Partition 5 Zone Assignments

[234] Partition 5 Selection Mask (Zn 01 to 18)

Default	Option ON
OFF <u>OFF</u>	1 Zone 1 Enabled
OFF <u>OFF</u>	2 Zone 2 Enabled
OFF <u>OFF</u>	3 Zone 3 Enabled
OFF <u>OFF</u>	4 Zone 4 Enabled
OFF <u>OFF</u>	5 Zone 5 Enabled
OFF <u>OFF</u>	6 Zone 6 Enabled
OFF <u>OFF</u>	7 Zone 7 Enabled
OFF <u>OFF</u>	8 Zone 8 Enabled

[236] Partition 5 Selection Mask (Zn 17 to 24)

[238] Partition 5 Selection Mask (Zn 33 to 40)

[240] Partition 5 Selection Mask (Zn 49 to 56)

Partition 6 Zone Assignments

[242] Partition 6 Selection Mask (Zn 01 to 18)

Default	Option ON
OFF <u>OFF</u>	1 Zone 1 Enabled
OFF <u>OFF</u>	2 Zone 2 Enabled
OFF <u>OFF</u>	3 Zone 3 Enabled
OFF <u>OFF</u>	4 Zone 4 Enabled
OFF <u>OFF</u>	5 Zone 5 Enabled
OFF <u>OFF</u>	6 Zone 6 Enabled
OFF <u>OFF</u>	7 Zone 7 Enabled
OFF <u>OFF</u>	8 Zone 8 Enabled

[244] Partition 6 Selection Mask (Zn 17 to 24)

[246] Partition 6 Selection Mask (Zn 33 to 40)

[248] Partition 6 Selection Mask (Zn 49 to 56)

[219] Partition 3 Selection Mask (Zn 09 to 16)

Default	Option ON
OFF <u>OFF</u>	1 Zone 9 Enabled
OFF <u>OFF</u>	2 Zone 10 Enabled
OFF <u>OFF</u>	3 Zone 11 Enabled
OFF <u>OFF</u>	4 Zone 12 Enabled
OFF <u>OFF</u>	5 Zone 13 Enabled
OFF <u>OFF</u>	6 Zone 14 Enabled
OFF <u>OFF</u>	7 Zone 15 Enabled
OFF <u>OFF</u>	8 Zone 16 Enabled

[221] Partition 3 Selection Mask (Zn 251 to 32)

[223] Partition 3 Selection Mask (Zn 41 to 48)

[225] Partition 3 Selection Mask (Zn 57 to 64)

[227] Partition 4 Selection Mask (Zn 09 to 16)

Default	Option ON
OFF <u>OFF</u>	1 Zone 9 Enabled
OFF <u>OFF</u>	2 Zone 10 Enabled
OFF <u>OFF</u>	3 Zone 11 Enabled
OFF <u>OFF</u>	4 Zone 12 Enabled
OFF <u>OFF</u>	5 Zone 13 Enabled
OFF <u>OFF</u>	6 Zone 14 Enabled
OFF <u>OFF</u>	7 Zone 15 Enabled
OFF <u>OFF</u>	8 Zone 16 Enabled

[229] Partition 4 Selection Mask (Zn 251 to 32)

[231] Partition 4 Selection Mask (Zn 41 to 48)

[233] Partition 4 Selection Mask (Zn 57 to 64)

[235] Partition 5 Selection Mask (Zn 09 to 16)

Default	Option ON
OFF <u>OFF</u>	1 Zone 9 Enabled
OFF <u>OFF</u>	2 Zone 10 Enabled
OFF <u>OFF</u>	3 Zone 11 Enabled
OFF <u>OFF</u>	4 Zone 12 Enabled
OFF <u>OFF</u>	5 Zone 13 Enabled
OFF <u>OFF</u>	6 Zone 14 Enabled
OFF <u>OFF</u>	7 Zone 15 Enabled
OFF <u>OFF</u>	8 Zone 16 Enabled

[237] Partition 5 Selection Mask (Zn 251 to 32)

[239] Partition 5 Selection Mask (Zn 41 to 48)

[241] Partition 5 Selection Mask (Zn 57 to 64)

[243] Partition 6 Selection Mask (Zn 09 to 16)

Default	Option ON
OFF <u>OFF</u>	1 Zone 9 Enabled
OFF <u>OFF</u>	2 Zone 10 Enabled
OFF <u>OFF</u>	3 Zone 11 Enabled
OFF <u>OFF</u>	4 Zone 12 Enabled
OFF <u>OFF</u>	5 Zone 13 Enabled
OFF <u>OFF</u>	6 Zone 14 Enabled
OFF <u>OFF</u>	7 Zone 15 Enabled
OFF <u>OFF</u>	8 Zone 16 Enabled

[245] Partition 6 Selection Mask (Zn 251 to 32)

[247] Partition 6 Selection Mask (Zn 41 to 48)

[249] Partition 6 Selection Mask (Zn 57 to 64)

DSC Power864/PC5020 Program Sheet

Partition 7 Zone Assignments

[250] Partition 7 Selection Mask (Zn 01 to 18)

Default					
OFF	OFF	1	Zone 1	Enabled	
OFF	OFF	2	Zone 2	Enabled	
OFF	OFF	3	Zone 3	Enabled	
OFF	OFF	4	Zone 4	Enabled	
OFF	OFF	5	Zone 5	Enabled	
OFF	OFF	6	Zone 6	Enabled	
OFF	OFF	7	Zone 7	Enabled	
OFF	OFF	8	Zone 8	Enabled	

[252] Partition 7 Selection Mask (Zn 17 to 24)

[254] Partition 7 Selection Mask (Zn 33 to 40)

[256] Partition 7 Selection Mask (Zn 49 to 56)

Partition 8 Zone Assignments

[258] Partition 8 Selection Mask (Zn 01 to 18)

Default					
OFF	OFF	1	Zone 1	Enabled	
OFF	OFF	2	Zone 2	Enabled	
OFF	OFF	3	Zone 3	Enabled	
OFF	OFF	4	Zone 4	Enabled	
OFF	OFF	5	Zone 5	Enabled	
OFF	OFF	6	Zone 6	Enabled	
OFF	OFF	7	Zone 7	Enabled	
OFF	OFF	8	Zone 8	Enabled	

[260] Partition 8 Selection Mask (Zn 17 to 24)

[262] Partition 8 Selection Mask (Zn 33 to 40)

[264] Partition 8 Selection Mask (Zn 49 to 56)

[251] Partition 7 Selection Mask (Zn 09 to 16)

Default					
OFF	OFF	1	Zone 9	Enabled	
OFF	OFF	2	Zone 10	Enabled	
OFF	OFF	3	Zone 11	Enabled	
OFF	OFF	4	Zone 12	Enabled	
OFF	OFF	5	Zone 13	Enabled	
OFF	OFF	6	Zone 14	Enabled	
OFF	OFF	7	Zone 15	Enabled	
OFF	OFF	8	Zone 16	Enabled	

[253] Partition 7 Selection Mask (Zn 251 to 32)

[255] Partition 7 Selection Mask (Zn 41 to 48)

[257] Partition 7 Selection Mask (Zn 57 to 64)

[259] Partition 8 Selection Mask (Zn 09 to 16)

Default					
OFF	OFF	1	Zone 9	Enabled	
OFF	OFF	2	Zone 10	Enabled	
OFF	OFF	3	Zone 11	Enabled	
OFF	OFF	4	Zone 12	Enabled	
OFF	OFF	5	Zone 13	Enabled	
OFF	OFF	6	Zone 14	Enabled	
OFF	OFF	7	Zone 15	Enabled	
OFF	OFF	8	Zone 16	Enabled	

[261] Partition 8 Selection Mask (Zn 251 to 32)

[263] Partition 8 Selection Mask (Zn 41 to 48)

[265] Partition 8 Selection Mask (Zn 57 to 64)

Communicator Programming

[301] First Telephone Number (32 Digits)

2 (B) = * *3* (C) = # *4* (D) = Wait for Dial Tone *5* (E) = 2 Sec Pause *6* (F) = End Number (If adding more than one hex digit Example: *555* gives 3 2-second pauses)																																	

[302] Second Telephone Number (32 Digits)

--	--	--	--	--	--	--	--	--	--	--	--	--	--	--	--	--	--	--	--	--	--	--	--	--	--	--	--	--	--	--	--	--	--	--

If Pager program Number + pauses *5555* gives 4 2-second pauses

[303] Third Telephone Number (32 Digits)

--	--	--	--	--	--	--	--	--	--	--	--	--	--	--	--	--	--	--	--	--	--	--	--	--	--	--	--	--	--	--	--	--	--	--

[304] Call Waiting Cancel String

Default: DB70EF | | | | | | | | | |

[310] Partition 1 Account Identifier Code (4 Digits)

If SIA enter 0 if any 0 in Account Number Pager will not send properly if Hex Characters A C D F are in Account Number			

[311] Partition 2 Account Identifier Code (4 Digits)

--	--	--	--

[313] Partition 3 Account Identifier Code (4 Digits)

--	--	--	--

[314] Partition 4 Account Identifier Code (4 Digits)

--	--	--	--

[315] Partition 5 Account Identifier Code (4 Digits)

--	--	--	--

[316] Partition 6 Account Identifier Code (4 Digits)

--	--	--	--

[317] Partition 7 Account Identifier Code (4 Digits)

--	--	--	--

[318] Partition 8 Account Identifier Code (4 Digits)

--	--	--	--

DSC Power864/PC5020 Program Sheet

[320] Alarm Report Codes Zone 01 to 16

<input type="checkbox"/>	<input type="checkbox"/>	Zone 01 Alarm
<input type="checkbox"/>	<input type="checkbox"/>	Zone 02 Alarm
<input type="checkbox"/>	<input type="checkbox"/>	Zone 03 Alarm
<input type="checkbox"/>	<input type="checkbox"/>	Zone 04 Alarm
<input type="checkbox"/>	<input type="checkbox"/>	Zone 05 Alarm
<input type="checkbox"/>	<input type="checkbox"/>	Zone 06 Alarm
<input type="checkbox"/>	<input type="checkbox"/>	Zone 07 Alarm
<input type="checkbox"/>	<input type="checkbox"/>	Zone 08 Alarm

<input type="checkbox"/>	<input type="checkbox"/>	Zone 09 Alarm
<input type="checkbox"/>	<input type="checkbox"/>	Zone 10 Alarm
<input type="checkbox"/>	<input type="checkbox"/>	Zone 11 Alarm
<input type="checkbox"/>	<input type="checkbox"/>	Zone 12 Alarm
<input type="checkbox"/>	<input type="checkbox"/>	Zone 13 Alarm
<input type="checkbox"/>	<input type="checkbox"/>	Zone 14 Alarm
<input type="checkbox"/>	<input type="checkbox"/>	Zone 15 Alarm
<input type="checkbox"/>	<input type="checkbox"/>	Zone 16 Alarm

[321] Alarm Report Codes Zone 17 to 32

<input type="checkbox"/>	<input type="checkbox"/>	Zone 17 Alarm
<input type="checkbox"/>	<input type="checkbox"/>	Zone 18 Alarm
<input type="checkbox"/>	<input type="checkbox"/>	Zone 19 Alarm
<input type="checkbox"/>	<input type="checkbox"/>	Zone 20 Alarm
<input type="checkbox"/>	<input type="checkbox"/>	Zone 21 Alarm
<input type="checkbox"/>	<input type="checkbox"/>	Zone 22 Alarm
<input type="checkbox"/>	<input type="checkbox"/>	Zone 23 Alarm
<input type="checkbox"/>	<input type="checkbox"/>	Zone 24 Alarm

<input type="checkbox"/>	<input type="checkbox"/>	Zone 25 Alarm
<input type="checkbox"/>	<input type="checkbox"/>	Zone 26 Alarm
<input type="checkbox"/>	<input type="checkbox"/>	Zone 27 Alarm
<input type="checkbox"/>	<input type="checkbox"/>	Zone 28 Alarm
<input type="checkbox"/>	<input type="checkbox"/>	Zone 29 Alarm
<input type="checkbox"/>	<input type="checkbox"/>	Zone 30 Alarm
<input type="checkbox"/>	<input type="checkbox"/>	Zone 31 Alarm
<input type="checkbox"/>	<input type="checkbox"/>	Zone 32 Alarm

[322] Alarm Report Codes Zone 33 to 48

<input type="checkbox"/>	<input type="checkbox"/>	Zone 33 Alarm
<input type="checkbox"/>	<input type="checkbox"/>	Zone 34 Alarm
<input type="checkbox"/>	<input type="checkbox"/>	Zone 35 Alarm
<input type="checkbox"/>	<input type="checkbox"/>	Zone 36 Alarm
<input type="checkbox"/>	<input type="checkbox"/>	Zone 37 Alarm
<input type="checkbox"/>	<input type="checkbox"/>	Zone 38 Alarm
<input type="checkbox"/>	<input type="checkbox"/>	Zone 39 Alarm
<input type="checkbox"/>	<input type="checkbox"/>	Zone 40 Alarm

<input type="checkbox"/>	<input type="checkbox"/>	Zone 41 Alarm
<input type="checkbox"/>	<input type="checkbox"/>	Zone 42 Alarm
<input type="checkbox"/>	<input type="checkbox"/>	Zone 43 Alarm
<input type="checkbox"/>	<input type="checkbox"/>	Zone 44 Alarm
<input type="checkbox"/>	<input type="checkbox"/>	Zone 45 Alarm
<input type="checkbox"/>	<input type="checkbox"/>	Zone 46 Alarm
<input type="checkbox"/>	<input type="checkbox"/>	Zone 47 Alarm
<input type="checkbox"/>	<input type="checkbox"/>	Zone 48 Alarm

[323] Alarm Report Codes Zone 49 to 64

<input type="checkbox"/>	<input type="checkbox"/>	Zone 49 Alarm
<input type="checkbox"/>	<input type="checkbox"/>	Zone 50 Alarm
<input type="checkbox"/>	<input type="checkbox"/>	Zone 51 Alarm
<input type="checkbox"/>	<input type="checkbox"/>	Zone 52 Alarm
<input type="checkbox"/>	<input type="checkbox"/>	Zone 53 Alarm
<input type="checkbox"/>	<input type="checkbox"/>	Zone 54 Alarm
<input type="checkbox"/>	<input type="checkbox"/>	Zone 55 Alarm
<input type="checkbox"/>	<input type="checkbox"/>	Zone 56 Alarm

<input type="checkbox"/>	<input type="checkbox"/>	Zone 57 Alarm
<input type="checkbox"/>	<input type="checkbox"/>	Zone 58 Alarm
<input type="checkbox"/>	<input type="checkbox"/>	Zone 59 Alarm
<input type="checkbox"/>	<input type="checkbox"/>	Zone 60 Alarm
<input type="checkbox"/>	<input type="checkbox"/>	Zone 61 Alarm
<input type="checkbox"/>	<input type="checkbox"/>	Zone 62 Alarm
<input type="checkbox"/>	<input type="checkbox"/>	Zone 63 Alarm
<input type="checkbox"/>	<input type="checkbox"/>	Zone 64 Alarm

[324] Alarm Restoral Report Codes Zones 01 to 16

<input type="checkbox"/>	<input type="checkbox"/>	Zone 01 Alarm Restore
<input type="checkbox"/>	<input type="checkbox"/>	Zone 02 Alarm Restore
<input type="checkbox"/>	<input type="checkbox"/>	Zone 03 Alarm Restore
<input type="checkbox"/>	<input type="checkbox"/>	Zone 04 Alarm Restore
<input type="checkbox"/>	<input type="checkbox"/>	Zone 05 Alarm Restore
<input type="checkbox"/>	<input type="checkbox"/>	Zone 06 Alarm Restore
<input type="checkbox"/>	<input type="checkbox"/>	Zone 07 Alarm Restore
<input type="checkbox"/>	<input type="checkbox"/>	Zone 08 Alarm Restore

<input type="checkbox"/>	<input type="checkbox"/>	Zone 09 Alarm Restore
<input type="checkbox"/>	<input type="checkbox"/>	Zone 10 Alarm Restore
<input type="checkbox"/>	<input type="checkbox"/>	Zone 11 Alarm Restore
<input type="checkbox"/>	<input type="checkbox"/>	Zone 12 Alarm Restore
<input type="checkbox"/>	<input type="checkbox"/>	Zone 13 Alarm Restore
<input type="checkbox"/>	<input type="checkbox"/>	Zone 14 Alarm Restore
<input type="checkbox"/>	<input type="checkbox"/>	Zone 15 Alarm Restore
<input type="checkbox"/>	<input type="checkbox"/>	Zone 16 Alarm Restore

[325] Alarm Restoral Report Codes Zone 17 to 32

<input type="checkbox"/>	<input type="checkbox"/>	Zone 17 Alarm Restore
<input type="checkbox"/>	<input type="checkbox"/>	Zone 18 Alarm Restore
<input type="checkbox"/>	<input type="checkbox"/>	Zone 19 Alarm Restore
<input type="checkbox"/>	<input type="checkbox"/>	Zone 20 Alarm Restore
<input type="checkbox"/>	<input type="checkbox"/>	Zone 21 Alarm Restore
<input type="checkbox"/>	<input type="checkbox"/>	Zone 22 Alarm Restore
<input type="checkbox"/>	<input type="checkbox"/>	Zone 23 Alarm Restore
<input type="checkbox"/>	<input type="checkbox"/>	Zone 24 Alarm Restore

<input type="checkbox"/>	<input type="checkbox"/>	Zone 25 Alarm Restore
<input type="checkbox"/>	<input type="checkbox"/>	Zone 26 Alarm Restore
<input type="checkbox"/>	<input type="checkbox"/>	Zone 27 Alarm Restore
<input type="checkbox"/>	<input type="checkbox"/>	Zone 28 Alarm Restore
<input type="checkbox"/>	<input type="checkbox"/>	Zone 29 Alarm Restore
<input type="checkbox"/>	<input type="checkbox"/>	Zone 30 Alarm Restore
<input type="checkbox"/>	<input type="checkbox"/>	Zone 31 Alarm Restore
<input type="checkbox"/>	<input type="checkbox"/>	Zone 32 Alarm Restore

[326] Alarm Restoral Report Codes Zone 33 to 48

<input type="checkbox"/>	<input type="checkbox"/>	Zone 33 Alarm Restore
<input type="checkbox"/>	<input type="checkbox"/>	Zone 34 Alarm Restore
<input type="checkbox"/>	<input type="checkbox"/>	Zone 35 Alarm Restore
<input type="checkbox"/>	<input type="checkbox"/>	Zone 36 Alarm Restore
<input type="checkbox"/>	<input type="checkbox"/>	Zone 37 Alarm Restore
<input type="checkbox"/>	<input type="checkbox"/>	Zone 38 Alarm Restore
<input type="checkbox"/>	<input type="checkbox"/>	Zone 39 Alarm Restore
<input type="checkbox"/>	<input type="checkbox"/>	Zone 40 Alarm Restore

<input type="checkbox"/>	<input type="checkbox"/>	Zone 41 Alarm Restore
<input type="checkbox"/>	<input type="checkbox"/>	Zone 42 Alarm Restore
<input type="checkbox"/>	<input type="checkbox"/>	Zone 43 Alarm Restore
<input type="checkbox"/>	<input type="checkbox"/>	Zone 44 Alarm Restore
<input type="checkbox"/>	<input type="checkbox"/>	Zone 45 Alarm Restore
<input type="checkbox"/>	<input type="checkbox"/>	Zone 46 Alarm Restore
<input type="checkbox"/>	<input type="checkbox"/>	Zone 47 Alarm Restore
<input type="checkbox"/>	<input type="checkbox"/>	Zone 48 Alarm Restore

DSC Power864/PC5020 Program Sheet

[327] Alarm Restoral Report Codes Zone 49 to 64

<input type="checkbox"/> F	<input type="checkbox"/> F	Zone 49 Alarm Restore	<input type="checkbox"/> F	<input type="checkbox"/> F	Zone 57 Alarm Restore
<input type="checkbox"/> F	<input type="checkbox"/> F	Zone 50 Alarm Restore	<input type="checkbox"/> F	<input type="checkbox"/> F	Zone 58 Alarm Restore
<input type="checkbox"/> F	<input type="checkbox"/> F	Zone 51 Alarm Restore	<input type="checkbox"/> F	<input type="checkbox"/> F	Zone 59 Alarm Restore
<input type="checkbox"/> F	<input type="checkbox"/> F	Zone 52 Alarm Restore	<input type="checkbox"/> F	<input type="checkbox"/> F	Zone 60 Alarm Restore
<input type="checkbox"/> F	<input type="checkbox"/> F	Zone 53 Alarm Restore	<input type="checkbox"/> F	<input type="checkbox"/> F	Zone 61 Alarm Restore
<input type="checkbox"/> F	<input type="checkbox"/> F	Zone 54 Alarm Restore	<input type="checkbox"/> F	<input type="checkbox"/> F	Zone 62 Alarm Restore
<input type="checkbox"/> F	<input type="checkbox"/> F	Zone 55 Alarm Restore	<input type="checkbox"/> F	<input type="checkbox"/> F	Zone 63 Alarm Restore
<input type="checkbox"/> F	<input type="checkbox"/> F	Zone 56 Alarm Restore	<input type="checkbox"/> F	<input type="checkbox"/> F	Zone 64 Alarm Restore

[328] Miscellaneous Alarm Report Codes

<input type="checkbox"/> F	<input type="checkbox"/> F	Duress	<input type="checkbox"/> F	<input type="checkbox"/> F	Zone Expander Supervisory Restore
<input type="checkbox"/> F	<input type="checkbox"/> F	Opening After Alarm	<input type="checkbox"/> F	<input type="checkbox"/> F	Cross Zone Police Code Alarm
<input type="checkbox"/> F	<input type="checkbox"/> F	Recent Closing/Exit Alarm	<input type="checkbox"/> F	<input type="checkbox"/> F	Burglary Not Verified
<input type="checkbox"/> F	<input type="checkbox"/> F	Zone Expander Superv.	<input type="checkbox"/> F	<input type="checkbox"/> F	Alarm Cancelled

[329] Priority Alarm and Restoral Report Codes

<input type="checkbox"/> F	<input type="checkbox"/> F	Keypad Fire Alarm	<input type="checkbox"/> F	<input type="checkbox"/> F	Keypad Fire Restoral
<input type="checkbox"/> F	<input type="checkbox"/> F	Keypad Aux Alarm	<input type="checkbox"/> F	<input type="checkbox"/> F	Keypad Aux Restoral
<input type="checkbox"/> F	<input type="checkbox"/> F	Keypad Panic Alarm	<input type="checkbox"/> F	<input type="checkbox"/> F	Keypad Panic Restoral
<input type="checkbox"/> F	<input type="checkbox"/> F	Auxiliary Input Alarm	<input type="checkbox"/> F	<input type="checkbox"/> F	Auxiliary Input Restore

[330] Tamper Report Codes, Zone 01 to 16

<input type="checkbox"/> F	<input type="checkbox"/> F	Zone 01 Tamper	<input type="checkbox"/> F	<input type="checkbox"/> F	Zone 09 Tamper
<input type="checkbox"/> F	<input type="checkbox"/> F	Zone 02 Tamper	<input type="checkbox"/> F	<input type="checkbox"/> F	Zone 10 Tamper
<input type="checkbox"/> F	<input type="checkbox"/> F	Zone 03 Tamper	<input type="checkbox"/> F	<input type="checkbox"/> F	Zone 11 Tamper
<input type="checkbox"/> F	<input type="checkbox"/> F	Zone 04 Tamper	<input type="checkbox"/> F	<input type="checkbox"/> F	Zone 12 Tamper
<input type="checkbox"/> F	<input type="checkbox"/> F	Zone 05 Tamper	<input type="checkbox"/> F	<input type="checkbox"/> F	Zone 13 Tamper
<input type="checkbox"/> F	<input type="checkbox"/> F	Zone 06 Tamper	<input type="checkbox"/> F	<input type="checkbox"/> F	Zone 14 Tamper
<input type="checkbox"/> F	<input type="checkbox"/> F	Zone 07 Tamper	<input type="checkbox"/> F	<input type="checkbox"/> F	Zone 15 Tamper
<input type="checkbox"/> F	<input type="checkbox"/> F	Zone 08 Tamper	<input type="checkbox"/> F	<input type="checkbox"/> F	Zone 16 Tamper

[331] Tamper Report Codes Zone 17 to 32

<input type="checkbox"/> F	<input type="checkbox"/> F	Zone 17 Tamper	<input type="checkbox"/> F	<input type="checkbox"/> F	Zone 25 Tamper
<input type="checkbox"/> F	<input type="checkbox"/> F	Zone 18 Tamper	<input type="checkbox"/> F	<input type="checkbox"/> F	Zone 26 Tamper
<input type="checkbox"/> F	<input type="checkbox"/> F	Zone 19 Tamper	<input type="checkbox"/> F	<input type="checkbox"/> F	Zone 27 Tamper
<input type="checkbox"/> F	<input type="checkbox"/> F	Zone 20 Tamper	<input type="checkbox"/> F	<input type="checkbox"/> F	Zone 28 Tamper
<input type="checkbox"/> F	<input type="checkbox"/> F	Zone 21 Tamper	<input type="checkbox"/> F	<input type="checkbox"/> F	Zone 29 Tamper
<input type="checkbox"/> F	<input type="checkbox"/> F	Zone 22 Tamper	<input type="checkbox"/> F	<input type="checkbox"/> F	Zone 30 Tamper
<input type="checkbox"/> F	<input type="checkbox"/> F	Zone 23 Tamper	<input type="checkbox"/> F	<input type="checkbox"/> F	Zone 31 Tamper
<input type="checkbox"/> F	<input type="checkbox"/> F	Zone 24 Tamper	<input type="checkbox"/> F	<input type="checkbox"/> F	Zone 32 Tamper

[332] Tamper Report Codes Zone 33 to 48

<input type="checkbox"/> F	<input type="checkbox"/> F	Zone 33 Tamper	<input type="checkbox"/> F	<input type="checkbox"/> F	Zone 41 Tamper
<input type="checkbox"/> F	<input type="checkbox"/> F	Zone 34 Tamper	<input type="checkbox"/> F	<input type="checkbox"/> F	Zone 42 Tamper
<input type="checkbox"/> F	<input type="checkbox"/> F	Zone 35 Tamper	<input type="checkbox"/> F	<input type="checkbox"/> F	Zone 43 Tamper
<input type="checkbox"/> F	<input type="checkbox"/> F	Zone 36 Tamper	<input type="checkbox"/> F	<input type="checkbox"/> F	Zone 44 Tamper
<input type="checkbox"/> F	<input type="checkbox"/> F	Zone 37 Tamper	<input type="checkbox"/> F	<input type="checkbox"/> F	Zone 45 Tamper
<input type="checkbox"/> F	<input type="checkbox"/> F	Zone 38 Tamper	<input type="checkbox"/> F	<input type="checkbox"/> F	Zone 46 Tamper
<input type="checkbox"/> F	<input type="checkbox"/> F	Zone 39 Tamper	<input type="checkbox"/> F	<input type="checkbox"/> F	Zone 47 Tamper
<input type="checkbox"/> F	<input type="checkbox"/> F	Zone 40 Tamper	<input type="checkbox"/> F	<input type="checkbox"/> F	Zone 48 Tamper

[333] Tamper Report Codes Zone 49 to 64

<input type="checkbox"/> F	<input type="checkbox"/> F	Zone 49 Tamper	<input type="checkbox"/> F	<input type="checkbox"/> F	Zone 57 Tamper
<input type="checkbox"/> F	<input type="checkbox"/> F	Zone 50 Tamper	<input type="checkbox"/> F	<input type="checkbox"/> F	Zone 58 Tamper
<input type="checkbox"/> F	<input type="checkbox"/> F	Zone 51 Tamper	<input type="checkbox"/> F	<input type="checkbox"/> F	Zone 59 Tamper
<input type="checkbox"/> F	<input type="checkbox"/> F	Zone 52 Tamper	<input type="checkbox"/> F	<input type="checkbox"/> F	Zone 60 Tamper
<input type="checkbox"/> F	<input type="checkbox"/> F	Zone 53 Tamper	<input type="checkbox"/> F	<input type="checkbox"/> F	Zone 61 Tamper
<input type="checkbox"/> F	<input type="checkbox"/> F	Zone 54 Tamper	<input type="checkbox"/> F	<input type="checkbox"/> F	Zone 62 Tamper
<input type="checkbox"/> F	<input type="checkbox"/> F	Zone 55 Tamper	<input type="checkbox"/> F	<input type="checkbox"/> F	Zone 63 Tamper
<input type="checkbox"/> F	<input type="checkbox"/> F	Zone 56 Tamper	<input type="checkbox"/> F	<input type="checkbox"/> F	Zone 64 Tamper

[334] Tamper Restoral Report Codes, Zone 01 to 16

<input type="checkbox"/> F	<input type="checkbox"/> F	Zone 01 Tamper Restore	<input type="checkbox"/> F	<input type="checkbox"/> F	Zone 09 Tamper Restore
<input type="checkbox"/> F	<input type="checkbox"/> F	Zone 02 Tamper Restore	<input type="checkbox"/> F	<input type="checkbox"/> F	Zone 10 Tamper Restore
<input type="checkbox"/> F	<input type="checkbox"/> F	Zone 03 Tamper Restore	<input type="checkbox"/> F	<input type="checkbox"/> F	Zone 11 Tamper Restore
<input type="checkbox"/> F	<input type="checkbox"/> F	Zone 04 Tamper Restore	<input type="checkbox"/> F	<input type="checkbox"/> F	Zone 12 Tamper Restore
<input type="checkbox"/> F	<input type="checkbox"/> F	Zone 05 Tamper Restore	<input type="checkbox"/> F	<input type="checkbox"/> F	Zone 13 Tamper Restore
<input type="checkbox"/> F	<input type="checkbox"/> F	Zone 06 Tamper Restore	<input type="checkbox"/> F	<input type="checkbox"/> F	Zone 14 Tamper Restore
<input type="checkbox"/> F	<input type="checkbox"/> F	Zone 07 Tamper Restore	<input type="checkbox"/> F	<input type="checkbox"/> F	Zone 15 Tamper Restore
<input type="checkbox"/> F	<input type="checkbox"/> F	Zone 08 Tamper Restore	<input type="checkbox"/> F	<input type="checkbox"/> F	Zone 16 Tamper Restore

DSC Power864/PC5020 Program Sheet

[335] Tamper Restoral Report Codes Zone 17 to 32

<input type="checkbox"/> F	<input type="checkbox"/> F	Zone 17 Tamper Restore	<input type="checkbox"/> F	<input type="checkbox"/> F	Zone 25 Tamper Restore
<input type="checkbox"/> F	<input type="checkbox"/> F	Zone 18 Tamper Restore	<input type="checkbox"/> F	<input type="checkbox"/> F	Zone 26 Tamper Restore
<input type="checkbox"/> F	<input type="checkbox"/> F	Zone 19 Tamper Restore	<input type="checkbox"/> F	<input type="checkbox"/> F	Zone 27 Tamper Restore
<input type="checkbox"/> F	<input type="checkbox"/> F	Zone 20 Tamper Restore	<input type="checkbox"/> F	<input type="checkbox"/> F	Zone 28 Tamper Restore
<input type="checkbox"/> F	<input type="checkbox"/> F	Zone 21 Tamper Restore	<input type="checkbox"/> F	<input type="checkbox"/> F	Zone 29 Tamper Restore
<input type="checkbox"/> F	<input type="checkbox"/> F	Zone 22 Tamper Restore	<input type="checkbox"/> F	<input type="checkbox"/> F	Zone 30 Tamper Restore
<input type="checkbox"/> F	<input type="checkbox"/> F	Zone 23 Tamper Restore	<input type="checkbox"/> F	<input type="checkbox"/> F	Zone 31 Tamper Restore
<input type="checkbox"/> F	<input type="checkbox"/> F	Zone 24 Tamper Restore	<input type="checkbox"/> F	<input type="checkbox"/> F	Zone 32 Tamper Restore

[336] Tamper Restoral Report Codes Zone 33 to 48

<input type="checkbox"/> F	<input type="checkbox"/> F	Zone 33 Tamper Restore	<input type="checkbox"/> F	<input type="checkbox"/> F	Zone 41 Tamper Restore
<input type="checkbox"/> F	<input type="checkbox"/> F	Zone 34 Tamper Restore	<input type="checkbox"/> F	<input type="checkbox"/> F	Zone 42 Tamper Restore
<input type="checkbox"/> F	<input type="checkbox"/> F	Zone 35 Tamper Restore	<input type="checkbox"/> F	<input type="checkbox"/> F	Zone 43 Tamper Restore
<input type="checkbox"/> F	<input type="checkbox"/> F	Zone 36 Tamper Restore	<input type="checkbox"/> F	<input type="checkbox"/> F	Zone 44 Tamper Restore
<input type="checkbox"/> F	<input type="checkbox"/> F	Zone 37 Tamper Restore	<input type="checkbox"/> F	<input type="checkbox"/> F	Zone 45 Tamper Restore
<input type="checkbox"/> F	<input type="checkbox"/> F	Zone 38 Tamper Restore	<input type="checkbox"/> F	<input type="checkbox"/> F	Zone 46 Tamper Restore
<input type="checkbox"/> F	<input type="checkbox"/> F	Zone 39 Tamper Restore	<input type="checkbox"/> F	<input type="checkbox"/> F	Zone 47 Tamper Restore
<input type="checkbox"/> F	<input type="checkbox"/> F	Zone 40 Tamper Restore	<input type="checkbox"/> F	<input type="checkbox"/> F	Zone 48 Tamper Restore

[337] Tamper Restoral Report Codes Zone 49 to 64

<input type="checkbox"/> F	<input type="checkbox"/> F	Zone 49 Tamper Restore	<input type="checkbox"/> F	<input type="checkbox"/> F	Zone 57 Tamper Restore
<input type="checkbox"/> F	<input type="checkbox"/> F	Zone 50 Tamper Restore	<input type="checkbox"/> F	<input type="checkbox"/> F	Zone 58 Tamper Restore
<input type="checkbox"/> F	<input type="checkbox"/> F	Zone 51 Tamper Restore	<input type="checkbox"/> F	<input type="checkbox"/> F	Zone 59 Tamper Restore
<input type="checkbox"/> F	<input type="checkbox"/> F	Zone 52 Tamper Restore	<input type="checkbox"/> F	<input type="checkbox"/> F	Zone 60 Tamper Restore
<input type="checkbox"/> F	<input type="checkbox"/> F	Zone 53 Tamper Restore	<input type="checkbox"/> F	<input type="checkbox"/> F	Zone 61 Tamper Restore
<input type="checkbox"/> F	<input type="checkbox"/> F	Zone 54 Tamper Restore	<input type="checkbox"/> F	<input type="checkbox"/> F	Zone 62 Tamper Restore
<input type="checkbox"/> F	<input type="checkbox"/> F	Zone 55 Tamper Restore	<input type="checkbox"/> F	<input type="checkbox"/> F	Zone 63 Tamper Restore
<input type="checkbox"/> F	<input type="checkbox"/> F	Zone 56 Tamper Restore	<input type="checkbox"/> F	<input type="checkbox"/> F	Zone 64 Tamper Restore

[338] Miscellaneous Tamper Reporting Codes

<input type="checkbox"/> 0	<input type="checkbox"/> 0	General System Tamper
<input type="checkbox"/> 0	<input type="checkbox"/> 0	General System Tamper Restoral
<input type="checkbox"/> 0	<input type="checkbox"/> 0	Keypad Lockout

[339] Closing (Arming) Report Codes, Access Codes 01 to 16

<input type="checkbox"/> 0	<input type="checkbox"/> 0	User Code 01	<input type="checkbox"/> 0	<input type="checkbox"/> 0	User Code 09
<input type="checkbox"/> 0	<input type="checkbox"/> 0	User Code 02	<input type="checkbox"/> 0	<input type="checkbox"/> 0	User Code 10
<input type="checkbox"/> 0	<input type="checkbox"/> 0	User Code 03	<input type="checkbox"/> 0	<input type="checkbox"/> 0	User Code 11
<input type="checkbox"/> 0	<input type="checkbox"/> 0	User Code 04	<input type="checkbox"/> 0	<input type="checkbox"/> 0	User Code 12
<input type="checkbox"/> 0	<input type="checkbox"/> 0	User Code 05	<input type="checkbox"/> 0	<input type="checkbox"/> 0	User Code 13
<input type="checkbox"/> 0	<input type="checkbox"/> 0	User Code 06	<input type="checkbox"/> 0	<input type="checkbox"/> 0	User Code 14
<input type="checkbox"/> 0	<input type="checkbox"/> 0	User Code 07	<input type="checkbox"/> 0	<input type="checkbox"/> 0	User Code 15
<input type="checkbox"/> 0	<input type="checkbox"/> 0	User Code 08	<input type="checkbox"/> 0	<input type="checkbox"/> 0	User Code 16

[340] Closing (Arming) Report Codes, Access Codes 17 to 32

<input type="checkbox"/> 0	<input type="checkbox"/> 0	User Code 17	<input type="checkbox"/> 0	<input type="checkbox"/> 0	User Code 25
<input type="checkbox"/> 0	<input type="checkbox"/> 0	User Code 18	<input type="checkbox"/> 0	<input type="checkbox"/> 0	User Code 26
<input type="checkbox"/> 0	<input type="checkbox"/> 0	User Code 19	<input type="checkbox"/> 0	<input type="checkbox"/> 0	User Code 27
<input type="checkbox"/> 0	<input type="checkbox"/> 0	User Code 20	<input type="checkbox"/> 0	<input type="checkbox"/> 0	User Code 28
<input type="checkbox"/> 0	<input type="checkbox"/> 0	User Code 21	<input type="checkbox"/> 0	<input type="checkbox"/> 0	User Code 29
<input type="checkbox"/> 0	<input type="checkbox"/> 0	User Code 22	<input type="checkbox"/> 0	<input type="checkbox"/> 0	User Code 30
<input type="checkbox"/> 0	<input type="checkbox"/> 0	User Code 23	<input type="checkbox"/> 0	<input type="checkbox"/> 0	User Code 31
<input type="checkbox"/> 0	<input type="checkbox"/> 0	User Code 24	<input type="checkbox"/> 0	<input type="checkbox"/> 0	User Code 32

[341] Miscellaneous Closing (Arming) Report Codes

<input type="checkbox"/> 0	<input type="checkbox"/> 0	Closing Duress 33	<input type="checkbox"/> 0	<input type="checkbox"/> 0	Closing Master 42
<input type="checkbox"/> 0	<input type="checkbox"/> 0	Closing Duress 34	<input type="checkbox"/> 0	<input type="checkbox"/> 0	Partial Closing
<input type="checkbox"/> 0	<input type="checkbox"/> 0	Closing Master 40	<input type="checkbox"/> 0	<input type="checkbox"/> 0	Special Closing
<input type="checkbox"/> 0	<input type="checkbox"/> 0	Closing Master 41	<input type="checkbox"/> 0	<input type="checkbox"/> 0	Late to Close

[342] Opening (Disarming) Report Codes, Access Codes 01 to 16

<input type="checkbox"/> 0	<input type="checkbox"/> 0	User Code 01	<input type="checkbox"/> 0	<input type="checkbox"/> 0	User Code 09
<input type="checkbox"/> 0	<input type="checkbox"/> 0	User Code 02	<input type="checkbox"/> 0	<input type="checkbox"/> 0	User Code 10
<input type="checkbox"/> 0	<input type="checkbox"/> 0	User Code 03	<input type="checkbox"/> 0	<input type="checkbox"/> 0	User Code 11
<input type="checkbox"/> 0	<input type="checkbox"/> 0	User Code 04	<input type="checkbox"/> 0	<input type="checkbox"/> 0	User Code 12
<input type="checkbox"/> 0	<input type="checkbox"/> 0	User Code 05	<input type="checkbox"/> 0	<input type="checkbox"/> 0	User Code 13
<input type="checkbox"/> 0	<input type="checkbox"/> 0	User Code 06	<input type="checkbox"/> 0	<input type="checkbox"/> 0	User Code 14
<input type="checkbox"/> 0	<input type="checkbox"/> 0	User Code 07	<input type="checkbox"/> 0	<input type="checkbox"/> 0	User Code 15
<input type="checkbox"/> 0	<input type="checkbox"/> 0	User Code 08	<input type="checkbox"/> 0	<input type="checkbox"/> 0	User Code 16

DSC Power864/PC5020 Program Sheet

[343] Opening (Disarming) Report Codes, Access Codes 17 to 32

<input type="checkbox"/> 0	<input type="checkbox"/> 0	User Code 17	<input type="checkbox"/> 0	<input type="checkbox"/> 0	User Code 25
<input type="checkbox"/> 0	<input type="checkbox"/> 0	User Code 18	<input type="checkbox"/> 0	<input type="checkbox"/> 0	User Code 26
<input type="checkbox"/> 0	<input type="checkbox"/> 0	User Code 19	<input type="checkbox"/> 0	<input type="checkbox"/> 0	User Code 27
<input type="checkbox"/> 0	<input type="checkbox"/> 0	User Code 20	<input type="checkbox"/> 0	<input type="checkbox"/> 0	User Code 28
<input type="checkbox"/> 0	<input type="checkbox"/> 0	User Code 21	<input type="checkbox"/> 0	<input type="checkbox"/> 0	User Code 29
<input type="checkbox"/> 0	<input type="checkbox"/> 0	User Code 22	<input type="checkbox"/> 0	<input type="checkbox"/> 0	User Code 30
<input type="checkbox"/> 0	<input type="checkbox"/> 0	User Code 23	<input type="checkbox"/> 0	<input type="checkbox"/> 0	User Code 31
<input type="checkbox"/> 0	<input type="checkbox"/> 0	User Code 24	<input type="checkbox"/> 0	<input type="checkbox"/> 0	User Code 32

[344] Miscellaneous Opening (Disarming) Report Codes

<input type="checkbox"/> 0	<input type="checkbox"/> 0	Opening Duress 33	<input type="checkbox"/> 0	<input type="checkbox"/> 0	Opening Master42
<input type="checkbox"/> 0	<input type="checkbox"/> 0	Opening Duress 34	<input type="checkbox"/> 0	<input type="checkbox"/> 0	Auto Arm Cancellation
<input type="checkbox"/> 0	<input type="checkbox"/> 0	Opening Master 40	<input type="checkbox"/> 0	<input type="checkbox"/> 0	Special Opening
<input type="checkbox"/> 0	<input type="checkbox"/> 0	Opening Master 41			

[345] Maintenance Alarm Report Codes

<input type="checkbox"/> F	<input type="checkbox"/> F	Battery Trouble	<input type="checkbox"/> F	<input type="checkbox"/> F	Auxiliary Power Supply Trouble
<input type="checkbox"/> F	<input type="checkbox"/> F	AC Failure Trouble	<input type="checkbox"/> F	<input type="checkbox"/> F	TLM Trouble (via LINKS)
<input type="checkbox"/> F	<input type="checkbox"/> F	Bell Circuit Trouble	<input type="checkbox"/> F	<input type="checkbox"/> F	General System Trouble
<input type="checkbox"/> F	<input type="checkbox"/> F	Fire Trouble Alarm	<input type="checkbox"/> F	<input type="checkbox"/> F	General System Supervisory

[346] Maintenance Restoral Report Codes

<input type="checkbox"/> 0	<input type="checkbox"/> 0	Battery Restore	<input type="checkbox"/> 0	<input type="checkbox"/> 0	Auxiliary Power Supply Restore
<input type="checkbox"/> 0	<input type="checkbox"/> 0	AC Failure Restoral	<input type="checkbox"/> 0	<input type="checkbox"/> 0	TLM Restoral
<input type="checkbox"/> 0	<input type="checkbox"/> 0	Bell Circuit Restoral	<input type="checkbox"/> 0	<input type="checkbox"/> 0	General System Trouble Restore
<input type="checkbox"/> 0	<input type="checkbox"/> 0	Fire Trouble Restore	<input type="checkbox"/> 0	<input type="checkbox"/> 0	General System Supervisory Restore

[347] Miscellaneous Maintenance Report Codes

<input type="checkbox"/> 0	<input type="checkbox"/> 0	Phone Number 1 Fail to Communicate
<input type="checkbox"/> 0	<input type="checkbox"/> 0	Phone Number 2 Fail to Communicate
<input type="checkbox"/> 0	<input type="checkbox"/> 0	Event Buffer 75% Full Since Last Upload
<input type="checkbox"/> 0	<input type="checkbox"/> 0	DLS Lead IN
<input type="checkbox"/> 0	<input type="checkbox"/> 0	DLS Lead OUT
<input type="checkbox"/> 0	<input type="checkbox"/> 0	General Zone Trouble Alarm
<input type="checkbox"/> 0	<input type="checkbox"/> 0	General Zone Trouble Restore
<input type="checkbox"/> 0	<input type="checkbox"/> 0	Delinquency Code

[348] Test Transmission Report Codes

<input type="checkbox"/> F	<input type="checkbox"/> F	Walk Test End	<input type="checkbox"/> F	<input type="checkbox"/> F	Periodic Test Transmission
<input type="checkbox"/> F	<input type="checkbox"/> F	Walk Test Begin	<input type="checkbox"/> F	<input type="checkbox"/> F	System Test
<input type="checkbox"/> F	<input type="checkbox"/> F	TLM Line 1 Trouble	<input type="checkbox"/> F	<input type="checkbox"/> F	LINKS 1000 Test Transmission Code

[350] Communicator Format Options (Third telephone number follows format of First)

Default						
02	<input type="checkbox"/> 0	<input type="checkbox"/> 4	1st Phone Number	01 = 4/2 20 BPS 1400 HZ	04 = SIA FSK	07 = 10 BPS, 1400Hz
02	<input type="checkbox"/> 0	<input type="checkbox"/> 5	2nd Phone Number	02 = 4/2 20 BPS 2300 HZ	05 = Pager	08 = 10 BPS, 2300Hz
				03 = DTMF CONTACT ID	06 = Residential Dial	

Alarms/Restoral Communicator Call Directions

(Toggle Zone lights ON or OFF then # to exit)

	Zone Light 1 1st Telephone Number	Zone Light 2 2nd Telephone Number	Zone Light 3 1st Telephone via Links 1000	Zone Light 4 2nd Telephone via Links	Zone Light 5 Alternate Communicator
[351] Partition 1	<input type="checkbox"/> ON	<input type="checkbox"/> OFF	<input type="checkbox"/> OFF	<input type="checkbox"/> OFF	<input type="checkbox"/> OFF
[352] Partition 2	<input type="checkbox"/> ON	<input type="checkbox"/> OFF	<input type="checkbox"/> OFF	<input type="checkbox"/> OFF	<input type="checkbox"/> OFF
[353] Partition 3	<input type="checkbox"/> ON	<input type="checkbox"/> OFF	<input type="checkbox"/> OFF	<input type="checkbox"/> OFF	<input type="checkbox"/> OFF
[354] Partition 4	<input type="checkbox"/> ON	<input type="checkbox"/> OFF	<input type="checkbox"/> OFF	<input type="checkbox"/> OFF	<input type="checkbox"/> OFF
[355] Partition 5	<input type="checkbox"/> ON	<input type="checkbox"/> OFF	<input type="checkbox"/> OFF	<input type="checkbox"/> OFF	<input type="checkbox"/> OFF
[356] Partition 6	<input type="checkbox"/> ON	<input type="checkbox"/> OFF	<input type="checkbox"/> OFF	<input type="checkbox"/> OFF	<input type="checkbox"/> OFF
[357] Partition 7	<input type="checkbox"/> ON	<input type="checkbox"/> OFF	<input type="checkbox"/> OFF	<input type="checkbox"/> OFF	<input type="checkbox"/> OFF
[358] Partition 8	<input type="checkbox"/> ON	<input type="checkbox"/> OFF	<input type="checkbox"/> OFF	<input type="checkbox"/> OFF	<input type="checkbox"/> OFF

Tamper/Restore Communicator Call Directions

(Toggle Zone lights ON or OFF then # to exit)

	Zone Light 1 1st Telephone Number	Zone Light 2 2nd Telephone Number	Zone Light 3 1st Telephone via Links 1000	Zone Light 4 2nd Telephone via Links	Zone Light 5 Alternate Communicator
[359] Partition 1	<input type="checkbox"/> ON	<input type="checkbox"/> OFF	<input type="checkbox"/> OFF	<input type="checkbox"/> OFF	<input type="checkbox"/> OFF
[360] Partition 2	<input type="checkbox"/> ON	<input type="checkbox"/> OFF	<input type="checkbox"/> OFF	<input type="checkbox"/> OFF	<input type="checkbox"/> OFF
[361] Partition 3	<input type="checkbox"/> ON	<input type="checkbox"/> OFF	<input type="checkbox"/> OFF	<input type="checkbox"/> OFF	<input type="checkbox"/> OFF
[362] Partition 4	<input type="checkbox"/> ON	<input type="checkbox"/> OFF	<input type="checkbox"/> OFF	<input type="checkbox"/> OFF	<input type="checkbox"/> OFF
[363] Partition 5	<input type="checkbox"/> ON	<input type="checkbox"/> OFF	<input type="checkbox"/> OFF	<input type="checkbox"/> OFF	<input type="checkbox"/> OFF
[364] Partition 6	<input type="checkbox"/> ON	<input type="checkbox"/> OFF	<input type="checkbox"/> OFF	<input type="checkbox"/> OFF	<input type="checkbox"/> OFF
[365] Partition 7	<input type="checkbox"/> ON	<input type="checkbox"/> OFF	<input type="checkbox"/> OFF	<input type="checkbox"/> OFF	<input type="checkbox"/> OFF
[366] Partition 8	<input type="checkbox"/> ON	<input type="checkbox"/> OFF	<input type="checkbox"/> OFF	<input type="checkbox"/> OFF	<input type="checkbox"/> OFF

DSC Power864/PC5020 Program Sheet

Opening/Closing Communicator Call Directions	(Toggle Zone lights ON or OFF then # to exit)				
	Zone Light 1 1st Telephone Number	Zone Light 2 2nd Telephone Number	Zone Light 3 1st Telephone via Links 1000	Zone Light 4 2nd Telephone via Links	Zone Light 5 Alternate Communicator
[367] Partition 1	ON	OFF	OFF	OFF	OFF
[368] Partition 2	ON	OFF	OFF	OFF	OFF
[369] Partition 3	ON	OFF	OFF	OFF	OFF
[370] Partition 4	ON	OFF	OFF	OFF	OFF
[371] Partition 5	ON	OFF	OFF	OFF	OFF
[372] Partition 6	ON	OFF	OFF	OFF	OFF
[373] Partition 7	ON	OFF	OFF	OFF	OFF
[374] Partition 8	ON	OFF	OFF	OFF	OFF

[375] Maintenance Alarm/Restoral Call Direction	(Toggle Zone lights ON or OFF then # to exit)
Default	OFF
Option ON	
ON <u>ON</u> 1 1st Telephone Number	Disabled
OFF <u>OFF</u> 2 2nd Telephone Number	Disabled
OFF <u>OFF</u> 3 1st Telephone Number (LINKS)	Disabled
OFF <u>OFF</u> 4 2nd Telephone Number (LINKS)	Disabled
OFF <u>OFF</u> 5 Alternate Communication	Disabled
OFF <u>OFF</u> 6 to 8 for Future Use	

[376] System Test Transmissions Call Directions	(Toggle Zone lights ON or OFF then # to exit)
Default	OFF
Option ON	
ON <u>ON</u> 1 1st Telephone Number	Disabled
OFF <u>OFF</u> 2 2nd Telephone Number	Disabled
OFF <u>OFF</u> 3 1st Telephone Number (LINKS)	Disabled
OFF <u>OFF</u> 4 2nd Telephone Number (LINKS)	Disabled
OFF <u>OFF</u> 5 Alternate Communication	Disabled
OFF <u>OFF</u> 6 to 8 for Future Use	

[377] Communication Variables	
Default	
003 <u>0</u> <u>0</u> <u>3</u>	Swinger Shutdwn (Alarms&Rest) (001-014 Trans, 000=disabled)
003 <u>0</u> <u>0</u> <u>3</u>	Swinger Shutdwn (Tampers&Rest) (001-014 Trans, 000=disabled)
003 <u>0</u> <u>0</u> <u>3</u>	Swinger Shutdwn (Maint&Rest) (001-014 Trans, 000=disabled)
000 <u>0</u> <u>0</u> <u>0</u>	Communication Delay (001-255 seconds)
030 <u>0</u> <u>6</u> <u>0</u>	AC Failure Communication Delay (001-255 minutes)
003 <u>0</u> <u>0</u> <u>6</u>	TLM Trouble Delay Land Line (# of valid checks) (000-255 x 10 seconds)
030 <u>0</u> <u>3</u> <u>0</u>	TLM Trouble Delay Links (# of valid checks) (000-255 x 10 seconds)
030 <u>0</u> <u>3</u> <u>0</u>	Test Transmission Cycle (001-255 days; 000 to disable)
007 <u>0</u> <u>0</u> <u>7</u>	Transmitter Low Battery Transmission Delay (000-255 days)
030 <u>0</u> <u>3</u> <u>0</u>	Delinquency Transmission Cycle (000-255 days)
005 <u>0</u> <u>0</u> <u>5</u>	Communications Cancelled Window (000-255 days)

[378] Test Transmission Time of Day
 Default
 9999 | | | | Valid entries are 0000 to 2359

[380] First Communicator Option Code	(Toggle Zone lights ON or OFF then # to exit)
Default	OFF
Option ON	
ON <u>ON</u> 1 Communications Enabled	Disabled
OFF <u>ON</u> 2 Restorals on Bell Time-Out	Restorals Follow Zones
OFF <u>OFF</u> 3 Pulse Dialing	DTMF Dialing
ON <u>ON</u> 4 Switch to Pulse after 5th Attempt	DTMF for All Attempts
OFF <u>OFF</u> 5 3rd Phone Number Enabled	Disabled
OFF <u>OFF</u> 6 Alternate Dial 1st & 3rd	Call 1st Number, Backup to 3rd
OFF <u>OFF</u> 7 Call Links as well as Land Line	Links is Backup to Land Line
OFF <u>OFF</u> 8 Delinquency Follows Activity (hrs)	Delinquency Follows Arming (days)

[381] Second Communicator Option Code	(Toggle Zone lights ON or OFF then # to exit)
Default	OFF
Option ON	
OFF <u>OFF</u> 1 Open after Alarm Ringback Enabled	Disabled
OFF <u>OFF</u> 2 Open After Bell Ringback Enabled	Disabled
OFF <u>OFF</u> 3 SIA sends Programmed Report Codes	SIA sends Automatic Report Codes
OFF <u>OFF</u> 4 Closing Confirmation Enabled	Disabled
ON <u>ON</u> 5 5928 Phone 1 & 3 Listen In Enabled	Disabled
OFF <u>OFF</u> 6 5928 Phone 2 Listen In Enabled	Disabled
OFF <u>OFF</u> 7 Contact ID uses Pgrm'd Report Codes	Contact ID uses Automatic Reporting
OFF <u>OFF</u> 8 Local Mode Enabled	Disabled

DSC Power864/PC5020 Program Sheet

[382] Third Communicator Option Code (Toggle Zone lights ON or OFF then # to exit)

Default	Option ON	OFF
OFF	<input type="checkbox"/> OFF	1 Contact ID Partial Closing Identifier is 5
OFF	<input type="checkbox"/> OFF	2 Alarm Communications during Walk Test
ON	<input type="checkbox"/> ON	3 Communication Cancel Message Enabled
OFF	<input type="checkbox"/> OFF	4 Call Waiting Cancel Enabled
OFF	<input type="checkbox"/> OFF	5 For Future Use
OFF	<input type="checkbox"/> OFF	6 AC Fail Transmission Delay in Hours
OFF	<input type="checkbox"/> OFF	7 For Future Use
OFF	<input type="checkbox"/> OFF	8 For Future Use

OFF Partial Closing ID is 4
 Communications Disabled during Walk Test
 Cancel Message Disabled
 Call Waiting Cancel Disabled
 AC Fail Transmission Delay in Minutes

[390] Links Preamble First Telephone Number
 Default
 FFFF | | | | |

[391] Links Preamble Second Telephone Number
 Default
 FFFF | | | | |

[392] Links Preamble Third Telephone Number
 Default
 FFFF | F | F | F | F |

[393] Links Special Function Preamble
 Default
 FFFFFFF | F | F | F | F | F | F |

Download Programming

[401] First Downloading Option Code (Toggle Zone lights ON or OFF then # to exit)

Default	Option ON	OFF
OFF	<input type="checkbox"/> ON	1 Downloading Enabled
ON	<input type="checkbox"/> ON	2 User Can Enable DLS Window
OFF	<input type="checkbox"/> OFF	3 Call Back Enabled
OFF	<input type="checkbox"/> OFF	4 User Initiated Call-Up Enabled
OFF	<input type="checkbox"/> OFF	5 Auto Event Buffer Upload Enabled
OFF	<input type="checkbox"/> OFF	6 to 8 For Future Use

Disabled
 Disabled
 Disabled
 Disabled
 Disabled

[402] Downloading Telephone Number (32 Digits)
 | L | E | A | V | E | | B | L | A | N | K | | | | | | | | | | | | | | | | | | | | | | |

[403] Downloading Access Code
 Default
 5020 | 5 | 0 | 2 | 0 |

[404] Panel Identification Code
 Default
 5020 | 5 | 0 | 2 | 0 |

[405] Answer Machine Double Call Timer
 Default
 060 | 0 | 4 | 0 |

[406] Number of Rings to Answer On
 Default
 000 | 0 | 1 | 0 |

[490] Links Preamble Download Phone Number
 Default
 FFFF | | | | |

	Opt 1	Opt 2	Opt 3	Opt 4	Opt 5	Opt 6	Opt 7	Opt 8
[501] PGM 1								
[502] PGM 2								
[503] PGM 3								
[504] PGM 4								
[505] PGM 5								
[506] PGM 6								
[507] PGM 7								
[508] PGM 8								
[509] PGM 9								
[510] PGM 10								
[511] PGM 11								
[512] PGM 12								
[513] PGM 13								
[514] PGM 14								

DSC Power864/PC5020 Program Sheet

PGM Partition Assignment

	Part 1	Part 2	Part 3	Part 4	Part 5	Part 6	Part 7	Part 8
[551] PGM 1	<input type="checkbox"/>	<input type="checkbox"/>	<input type="checkbox"/>	<input type="checkbox"/>	<input type="checkbox"/>	<input type="checkbox"/>	<input type="checkbox"/>	<input type="checkbox"/>
[552] PGM 2	<input type="checkbox"/>	<input type="checkbox"/>	<input type="checkbox"/>	<input type="checkbox"/>	<input type="checkbox"/>	<input type="checkbox"/>	<input type="checkbox"/>	<input type="checkbox"/>
[553] PGM 3	<input type="checkbox"/>	<input type="checkbox"/>	<input type="checkbox"/>	<input type="checkbox"/>	<input type="checkbox"/>	<input type="checkbox"/>	<input type="checkbox"/>	<input type="checkbox"/>
[554] PGM 4	<input type="checkbox"/>	<input type="checkbox"/>	<input type="checkbox"/>	<input type="checkbox"/>	<input type="checkbox"/>	<input type="checkbox"/>	<input type="checkbox"/>	<input type="checkbox"/>
[555] PGM 5	<input type="checkbox"/>	<input type="checkbox"/>	<input type="checkbox"/>	<input type="checkbox"/>	<input type="checkbox"/>	<input type="checkbox"/>	<input type="checkbox"/>	<input type="checkbox"/>
[556] PGM 6	<input type="checkbox"/>	<input type="checkbox"/>	<input type="checkbox"/>	<input type="checkbox"/>	<input type="checkbox"/>	<input type="checkbox"/>	<input type="checkbox"/>	<input type="checkbox"/>
[557] PGM 7	<input type="checkbox"/>	<input type="checkbox"/>	<input type="checkbox"/>	<input type="checkbox"/>	<input type="checkbox"/>	<input type="checkbox"/>	<input type="checkbox"/>	<input type="checkbox"/>
[558] PGM 8	<input type="checkbox"/>	<input type="checkbox"/>	<input type="checkbox"/>	<input type="checkbox"/>	<input type="checkbox"/>	<input type="checkbox"/>	<input type="checkbox"/>	<input type="checkbox"/>
[5509] PGM 9	<input type="checkbox"/>	<input type="checkbox"/>	<input type="checkbox"/>	<input type="checkbox"/>	<input type="checkbox"/>	<input type="checkbox"/>	<input type="checkbox"/>	<input type="checkbox"/>
[560] PGM 10	<input type="checkbox"/>	<input type="checkbox"/>	<input type="checkbox"/>	<input type="checkbox"/>	<input type="checkbox"/>	<input type="checkbox"/>	<input type="checkbox"/>	<input type="checkbox"/>
[561] PGM 11	<input type="checkbox"/>	<input type="checkbox"/>	<input type="checkbox"/>	<input type="checkbox"/>	<input type="checkbox"/>	<input type="checkbox"/>	<input type="checkbox"/>	<input type="checkbox"/>
[562] PGM 12	<input type="checkbox"/>	<input type="checkbox"/>	<input type="checkbox"/>	<input type="checkbox"/>	<input type="checkbox"/>	<input type="checkbox"/>	<input type="checkbox"/>	<input type="checkbox"/>
[563] PGM 13	<input type="checkbox"/>	<input type="checkbox"/>	<input type="checkbox"/>	<input type="checkbox"/>	<input type="checkbox"/>	<input type="checkbox"/>	<input type="checkbox"/>	<input type="checkbox"/>
[564] PGM 14	<input type="checkbox"/>	<input type="checkbox"/>	<input type="checkbox"/>	<input type="checkbox"/>	<input type="checkbox"/>	<input type="checkbox"/>	<input type="checkbox"/>	<input type="checkbox"/>

[700] Auto Clock Adjust

Default

60 | 6 | 0 | Valid entries are 0-99 seconds

[701] First International Options Code

Default

Option ON

OFF | OFF | 1 50 Hz AC
 OFF | OFF | 2 Time Base is Internal Crystal
 OFF | OFF | 3 AC/DC Arming Inhibit Enabled
 OFF | OFF | 4 All Tamper Req. Installer Reset
 OFF | OFF | 5 6-Digit User Access Codes
 OFF | OFF | 6 Busy Tone Detection Enabled
 OFF | OFF | 7 High Current Battery Charge
 OFF | OFF | 8 For Future Use

OFF

60 Hz AC
 Time Base is AC Line
 AC/DC Arming Inhibit Disabled
 All Tamper Follow Restore
 4-Digit User Access Codes
 Busy Tone Detection Disabled
 Standard Current Battery Charge

[702] Second International Options Code

Default

Option ON

OFF | OFF | 1 Pulse Dialing Make/Break Ratio 33/67
 ON | ON | 2 Force Dialing Enabled
 OFF | OFF | 3 Land Line Test Trans. in Minutes
 OFF | OFF | 4 1600Hz Handshake
 OFF | OFF | 5 ID Tone Enabled
 OFF | OFF | 6 2100 Hz ID Tone
 OFF | OFF | 7 One Time 1-Hr User Enabled DLS Window
 OFF | OFF | 8 Bell Enabled FTC when Armed

OFF

Pulse Dialing Make/Break Ratio 40/60
 Force Dialing Disabled
 Land Line Test Trans. in Days
 Standard Handshake
 ID Tone Disabled
 1300 Hz ID Tone
 Full 6-Hr User Enabled DLS Window
 FTC Trouble Only when Armed

[703] Delay Between Dialing Attempts

Default

001 | 0 | 0 | 1 | Valid entries are 000-255 seconds

DSC Power864/PC5020 Program Sheet

Module Programming

[801] PC5400 Printer

[802] PC5908/5928 Intercom

[803] PC2150/2250 Long Range Radio or Skyroute

[804] PC5132 Wireless Receiver (Use "ESN" Number from sticker on sensor, if only "SN" add 0 as 1st digit)

All DSC Wireless sensor Serial Numbers go here EXCEPT
 WLS910 Hand Held Keypad (see section 33 to 36)
 WLS909 Keyfob (see section 41 to 56)

Default = 000000 (WARNING! If these sections only accept 5 digits Receiver is V2.0 or 2.1!)

[01] Zone 1	<input type="text"/>	[17] Zone 17	<input type="text"/>
[02] Zone 2	<input type="text"/>	[18] Zone 18	<input type="text"/>
[03] Zone 3	<input type="text"/>	[19] Zone 19	<input type="text"/>
[04] Zone 4	<input type="text"/>	[20] Zone 20	<input type="text"/>
[05] Zone 5	<input type="text"/>	[21] Zone 21	<input type="text"/>
[06] Zone 6	<input type="text"/>	[22] Zone 22	<input type="text"/>
[07] Zone 7	<input type="text"/>	[23] Zone 23	<input type="text"/>
[08] Zone 8	<input type="text"/>	[24] Zone 24	<input type="text"/>
[09] Zone 9	<input type="text"/>	[25] Zone 25	<input type="text"/>
[10] Zone 10	<input type="text"/>	[26] Zone 26	<input type="text"/>
[11] Zone 11	<input type="text"/>	[27] Zone 27	<input type="text"/>
[12] Zone 12	<input type="text"/>	[28] Zone 28	<input type="text"/>
[13] Zone 13	<input type="text"/>	[29] Zone 29	<input type="text"/>
[14] Zone 14	<input type="text"/>	[30] Zone 30	<input type="text"/>
[15] Zone 15	<input type="text"/>	[31] Zone 31	<input type="text"/>
[16] Zone 16	<input type="text"/>	[32] Zone 32	<input type="text"/>

Handheld Keypad Serial Numbers

Default = 000000

[33] Keypad 01	<input type="text"/>	[35] Keypad 03	<input type="text"/>
[34] Keypad 02	<input type="text"/>	[36] Keypad 04	<input type="text"/>

Wireless Keyfob Serial Numbers

Default = 000000

[41] Key 01	<input type="text"/>	[49] Key 09	<input type="text"/>
[42] Key 02	<input type="text"/>	[50] Key 10	<input type="text"/>
[43] Key 03	<input type="text"/>	[51] Key 11	<input type="text"/>
[44] Key 04	<input type="text"/>	[52] Key 12	<input type="text"/>
[45] Key 05	<input type="text"/>	[53] Key 13	<input type="text"/>
[46] Key 06	<input type="text"/>	[54] Key 14	<input type="text"/>
[47] Key 07	<input type="text"/>	[55] Key 15	<input type="text"/>
[48] Key 08	<input type="text"/>	[56] Key 16	<input type="text"/>

Partition 1 Handheld Keypad Options (WLS910 Hand Held Keypad Button Definitions here)

[57] Function Key 1	<input type="text"/>	Function Key 3	<input type="text"/>
Function Key 2	<input type="text"/>	Function Key 4	<input type="text"/>

Partition 2 Handheld Keypad Options (WLS910 Hand Held Keypad Button Definitions here)

[58] Function Key 1	<input type="text"/>	Function Key 3	<input type="text"/>
Function Key 2	<input type="text"/>	Function Key 4	<input type="text"/>

Partition 1 Wireless Key Options (WLS909 Keyfob Button Definitions here)

[59] Function Key 1	<input type="text"/>	Function Key 3	<input type="text"/>
Function Key 2	<input type="text"/>	Function Key 4	<input type="text"/>

Partition 2 Wireless Key Options (Add Keyfob Button Definitions here)

[60] Function Key 1	<input type="text"/>	Function Key 3	<input type="text"/>
Function Key 2	<input type="text"/>	Function Key 4	<input type="text"/>

- | | |
|-----------------------------|--------------------------------|
| [00] Key Not Used | [16] * 0 Quick Exit |
| [01] For Future Use | [17] * 1 Reactivate Stay/Aways |
| [02] For Future Use | [18] For Future Use |
| [03] Stay Arm | [19] * 7 3 Command Output 3 |
| [04] Away Arm | [20] For Future Use |
| [05] * 9 No-Entry Arm | [21] * 7 4 Command Output 4 |
| [06] * 4 Chime ON/OFFI | [22] to [26] For Future Use |
| [07] * 6 ---- 4 System Test | [27] Disarm (OFF) |
| [08] to [12] For Future Use | [28] Fire Alarm |
| [13] * 7 1 Command Output 1 | [29] Aux/Medical Alarm |
| [14] * 7 2 Sensor Reset | [30] Police Panic |
| [15] For Future Use | |

DSC Power864/PC5020 Program Sheet

[805] PC51000 Module Programming

[806] PC5108L Module Programming

Special Installer Functions

[981] Installer Buzzer Walk Test Mode Begin/End

[902] Module Supervision Enable/Reset

[903] View Module Supervision Field

[904] Wireless Module Placement Test
 Select the module / transmitter (Zones 01-32)
 Press # to Cancel

Placement	Led Keypad	Alpha Keypad	Bell / Buzzer
Good	Light 1 ON Steady	GOOD	1 Beep / Squawk
Fair	Light 2 ON Steady	FAIR	2 Beeps / Squawks
Bad	Light 3 ON Steady	BAD	3 Beeps / Squawks

[906] Local Test of Downlook Remote Trigger
 Enter this section to initiate a test, select one of below options

- [1] Telephone Number 1 via landline [3] Telephone Number 1 via LINKS
- [2] Telephone Number 2 via landline [4] Telephone Number 2 via LINKS

[990] Installer Lockout Enable

[991] Installer Lockout Disable

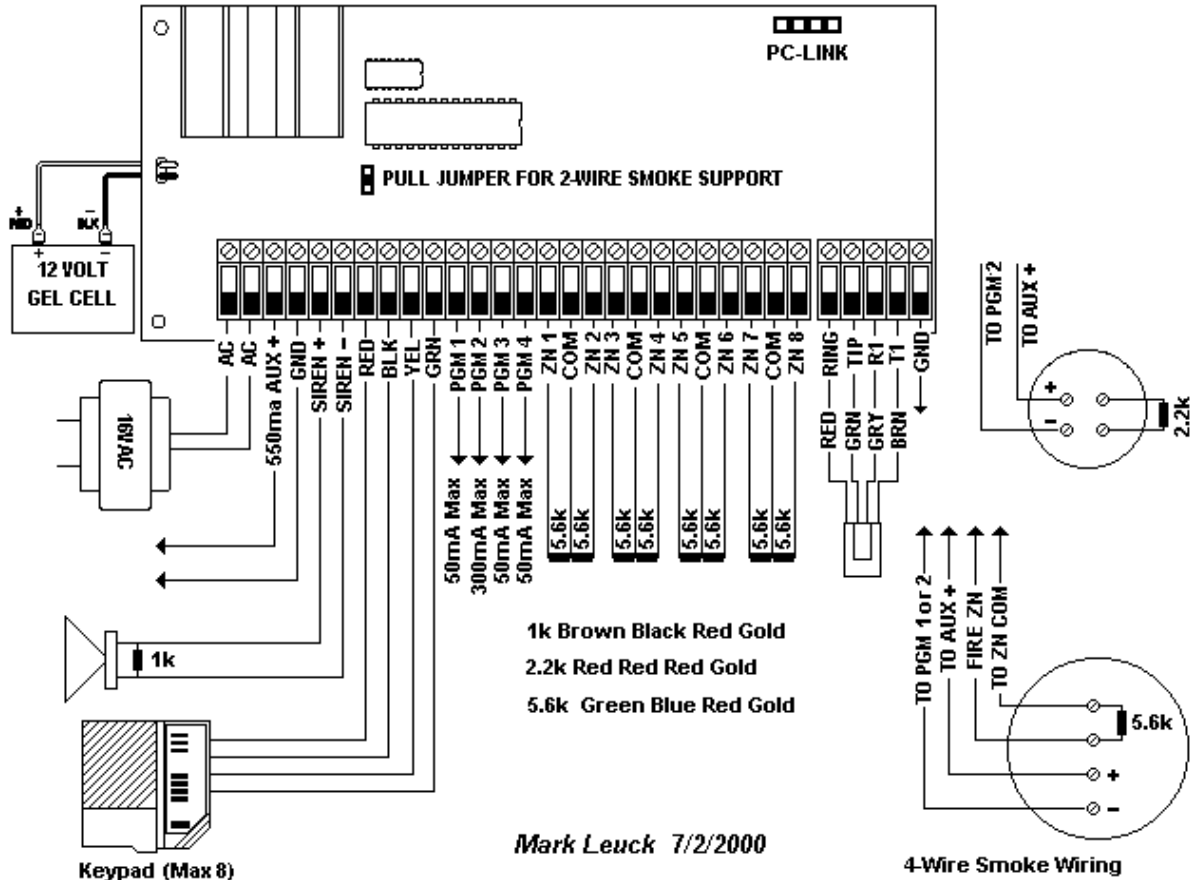
[995] Restore PC5580 Factory Default Programming 995 + Installer Code + 995

[996] Restore PC5132 Factory Default Programming 996 + Installer Code + 996

[997] Restore PC5400 Factory Default Programming 997 + Installer Code + 997

[998] Restore PC5936 Factory Default Programming 998 + Installer Code + 998

[999] Restore PC5015 Factory Default Programming 999 + Installer Code + 999



Monitronics PC5020/Power864 Quick Reference Guide

Monitoring and Service call 1-800-447-9239

Arm Away	<p>Hold AWAY button for 3 seconds (if available) Or Enter User Code then leave</p>
Arm Stay	<p>Hold STAY key for 3 seconds (if available) Or Enter User Code and do not leave, system should arm with interior motion detectors bypassed</p>
Disarming / Silencing Alarm	<p>Enter 4 digit User Code Press # and enter User Code again if a mistake is made while disarming</p>
Instant Doors	<p>Press * 9 + User Code, system will arm all exterior zones instant, instant zones will return to normal when system is disarmed</p>
Zone Bypassing	<p>Press * 1 + Zone to bypass (01 to 64) When finished press # When system is disarmed all bypassed zones will reset to normal</p>
User Codes	<p>Press * 5 + Master Code + User (01 to 32) + New User Code + # To erase a code repeat steps above but enter * instead of 4 digit code. To exit press # The 40th code is the Master Code, the 33rd code is a Hostage Code (if enabled)</p>
Door Chimes	<p>Hold CHIME button for 2 seconds (if available) or press * 4 to turn on or off</p>
Smoke Detector Reset	<p>To silence siren enter 4 digit User Code. To reset smoke detector press * 72. There will be a 5-second tone while smoke detector resets</p>
Trouble Light	<p>If the SYSTEM or TROUBLE Light turns on press * + 2 and view Zone Lights Light 1 = System Fault (Press 1 again) 1 = Low System Battery 2 = Siren Trouble Any other Light in this section indicates Internal Panel Problem</p> <p>Light 2 = AC Failure Light 3 = Telephone Line Trouble Light 4 = Failure to Communicate Light 5 = Zone Trouble Light 6 = Zone Tamper Light 7 = Zone Low Battery Light 8 = Loss of System Clock Set Clock: Press * + 6 + Master Code + 1, enter Hours + Minutes + Day + Month + Year + # to exit <i>Example: 1:30PM 07/19/99 would be 1330 0719 99</i></p>
Alarm Memory	<p>Press * + 3, the zone or zones that caused the last alarm will flash, press # to exit</p>