

DSC PC5010/Power832 v2 Program Sheet

How To Identify Largest chip on main board will show
 06000464 = 5010 v1.0 06000666 = 5010 v2.0

Report Format SIA, Contact ID, 4/2, 3/1, SIA preferred

Siren Problems 1k resistor on siren outputs to prevent constant low siren sounds

Enter Program * 8 5010 (PROGRAM or SYSTEM light should flash, if long beep Code incorrect)

Exit Program #

Move to location Enter 3-digit location, some areas may require # to exit

Move to location Enter 3-digit location, some areas may require # to exit

Default Panel 1. Connect wire from Zone 1 to PGM1
 2. Power up panel, wait 10 seconds
 3. If Zone 1 turns ON panel is defaulted, if not panel is locked

Hex Program A = * 1 * B = * 2 * C = * 3 * D = * 4 * E = * 5 * F = * 6 *

[000] Keypad Assignment (must be done at each keypad)
 [0] Slot (Valid entries 0 (Global) 1 & 2 for Partition, 1-8 for Slot)
 [1] Function Key 1 Assignment (Valid entries are 00-18)
 [2] Function Key 2 Assignment
 [3] Function Key 3 Assignment
 [4] Function Key 4 Assignment
 [5] Function Key 5 Assignment

00 Null Key (Not Used)	08 * 1 Bypass Mode	16 * 0 Quick Exit
01 Select Partition 1	09 * 2 Trouble Display	17 * 1 Reactivate Stay/Away's
02 Select Partition 2	10 * 3 Alarm Memory	18 Identified Voice Prompt Help
03 Stay Arm	11 * 5 User Programming	19 * 7 3 Command Output 3
04 Away Arm	12 * 6 User Functions	20 For Future Use
05 * 9 No-Entry Arm	13 * 7 1 Utility Output	21 * 7 4 Command Output 4
06 * 4 Chime On/Off	14 * 7 2 Sensor Reset	
07 * 6 4 System Test	15 General Voice Prompt Help	(Voice prompts require ESCORT)

If multiple LCD keypads make 1 slot 8 to enable Zone description programming by downloading

<p>[001] Zone 01-08 Definitions</p> <p>Default</p> <p>01 Zone 01 03 Zone 02 03 Zone 03 03 Zone 04</p>	<p>Default</p> <p>05 Zone 05 05 Zone 06 05 Zone 07 05 Zone 08</p>	<p>00 = Null Zone/Zone Deleted 01 = Delay 1 02 = Delay 2 03 = Instant 04 = Interior 05 = Interior Stay/Away 06 = Delay Stay/Away 07 = Delay 24hr Fire 08 = Standard 24hr Fire 09 = 24 Hour Supervisory (Links) 10 = 24 Hour Supervisory Buzzer 11 = 24 Hour Burglary 12 = 24 Hour Holdup 13 = 24 Hour Gas 14 = 24 Hour Heat 15 = 24 Hour Medical 16 = 24 Hour Panic 17 = 24 Hour Emergency 18 = 24 Hour Sprinkler 19 = 24 Hour Water 20 = 24 Hour Freeze 21 = 24 Hour Latching Tamper 22 = Momentary Keyswitch Arm 23 = Maintained Keyswitch Arm 24 = Links Answer 87 = Delay Wireless Fire 88 = Standard Wireless</p>
<p>[002] Zone 09-16 Definitions</p> <p>Default</p> <p>00 Zone 09 00 Zone 10 00 Zone 11 00 Zone 12</p>	<p>Default</p> <p>00 Zone 13 00 Zone 14 00 Zone 15 00 Zone 16</p>	
<p>[003] Zone 17-24 Definitions</p> <p>Default</p> <p>00 Zone 17 00 Zone 18 00 Zone 19 00 Zone 20</p>	<p>Default</p> <p>00 Zone 21 00 Zone 22 00 Zone 23 00 Zone 24</p>	
<p>[004] Zone 25-32 Definitions</p> <p>Default</p> <p>00 Zone 25 00 Zone 26 00 Zone 27 00 Zone 28</p>	<p>Default</p> <p>00 Zone 29 00 Zone 30 00 Zone 31 00 Zone 32</p>	
<p>[005] System Times</p> <p>Default</p> <p>030 Entry Delay 1 Enter 3 digits from [000-255] 045 Entry Delay 2 Enter 3 digits from [000-255] 120 Exit Delay Enter 3 digits from [000-255] 006 Bell Cut-off Enter 3 digits from [000-255]</p>		

DSC PC5010/Power832 v2 Program Sheet

[006] Installer's Code

Default

5010 | | | | |

[007] Master Code

Default

1234 | | | | |

[008] Maintenance Code

Default

AAAA | | | | |

[009] PCS5010 PGM Output Programming (PGM 1 & 2)

Default

19 | | | | PGM 01

10 | | | | PGM 02

Programmable Output Options

00 = Not Used

01 = Burg/Fire Bell Output

02 = For Future Use

03 = Sensor Reset (4-wire Smokes *72)

04 = 2-Wire Smokes (PGM2 ONLY)**

05 = System (Partition) Armed Status

06 = Ready To Arm

07 = Keypad Buzzer Follow Mode

08 = Courtesy Pulse (Entry/Exit time + 2 minutes)

09 = System Trouble Output

10 = Latched System Event/Strobe

11 = System Tamper

12 = TLM and Alarm

13 = Kissoff Output

14 = Ground Start Pulse

15 = Remote Operation (DLS-1)

16 = Links 1000 Support (PGM1 only)

17 = Stay Arm

18 = Away Arm

19 = * 7 1 Command Output

20 = * 7 2 Command Output

21 = * 7 3 Command Output

22 = * 7 4 Command Output

23 = Silent 24-Hr (PGM2 Only)

24 = Audible 24-Hr (PGM2 Only)

**For 2-Wire Smoke Support Jumper CON1 on board must be removed

[010] PC5208 PGM Output Programming (PGM 3-10)

Default

01 | | | | PGM 03

01 | | | | PGM 04

01 | | | | PGM 05

01 | | | | PGM 06

Default

01 | | | | PGM 07

01 | | | | PGM 08

01 | | | | PGM 09

01 | | | | PGM 10

[011] PCS5204 PGM Output Programming (PGM 11-14)

Default

01 | | | | PGM 11

01 | | | | PGM 12

Default

01 | | | | PGM 13

01 | | | | PGM 14

[012] Keypad Lockout Options

Default

000 | 0 | 0 | 0 | Number of Invalid Codes Before Lockout

000 | 0 | 0 | 0 | Lockout Duration (in minutes)

[013] First System Option Code

(Toggle Zone lights ON or OFF then # to exit)

Default

Option ON

OFF | OFF | 1 Normally Closed Loops
 OFF | OFF | 2 Double End-of-Line Resistors
 ON | ON | 3 Panels shows trouble w/Armed
 OFF | OFF | 4 Tamper/Fault do not show open
 OFF | OFF | 5 Zone 1 is Fast Loop Response
 ON | ON | 6 Audible Exit Fault Enabled
 ON | ON | 7 Event Buffer follows Swinger
 OFF | OFF | 8 Temporal 3 Fire Signal Enabled

OFF

End-of-Line Resistors
 Single End-of-Line Resistors
 Panel shows Fire Trbl only w/Armed
 Tamper/Fault show open
 Zone 1 is Standard Loop
 Audible Exit Fault Disabled
 Event Buf Logs Events Past swinger
 Standard Pulsed Fire

[014] Second System Option Code

(Toggle Zone lights ON or OFF then # to exit)

Default

Option ON

OFF | OFF | 1 Arm/Disarm Bell Squawk enable
 OFF | OFF | 2 Bell Squawk During Auto Arm
 ON | OFF | 3 Bell Squawk On Exit Delay
 OFF | OFF | 4 Bell Squawk On Entry Delay
 OFF | OFF | 5 Bell Squawk On Trouble
 ON | ON | 6 Audible Exit Beeps
 OFF | OFF | 7 Exit Delay Termination Enabled
 OFF | OFF | 8 Fire Bell is Continuous

OFF

Arm/Disarm Bell Squawk disable
 No Bell Squawk
 No Bell Squawk
 No Bell Squawk
 No Bell Squawk
 Silent Exit Delay
 Exit Del. Termination Disabled
 Fire Bell follows Bell Cut-Off

DSC PC5010/Power832 v2 Program Sheet

[015] Third System Option Code		(Toggle Zone lights ON or OFF then # to exit)	
Default	Option ON		OFF
ON <input type="checkbox"/> ON	1 [F] Keys Enabled	Fire Keys Disabled	
OFF <input type="checkbox"/> ON	2 Panic Keys Audible	Panic Keys Silent	
OFF <input type="checkbox"/> ON	3 Quick Exit Enabled	Quick Exit Disabled	
ON <input type="checkbox"/> ON	4 Quick Arming Enabled	Function Keys Disabled	
OFF <input type="checkbox"/> OFF	5 Code Required for Bypassing	Code not Required	
OFF <input type="checkbox"/> OFF	6 Master Code Not Changable	Master Code Changable	
ON <input type="checkbox"/> ON	7 TLM Enabled (Phone Monitor)	TLM Disabled	
OFF <input type="checkbox"/> OFF	8 TLM Audible When Armed	TLM Trouble Only W/Armed	

[016] Fourth System Option Code		(Toggle Zone lights ON or OFF then # to exit)	
Default	Option ON		OFF
ON <input type="checkbox"/> ON	1 AC Trouble Displayed	AC Trouble not Displayed	
OFF <input type="checkbox"/> OFF	2 Trouble Flashes if AC Fails	Trouble doesn't follow AC	
ON <input type="checkbox"/> OFF	3 Blank KP When Not Used	Keypad always Active	
OFF <input type="checkbox"/> OFF	4 Code Req. to Stop KP Blanking	No Code Required	
OFF <input type="checkbox"/> ON	5 Keypad Backlight Enabled	Keypad Backlighting Disabled	
OFF <input type="checkbox"/> OFF	6 Power Save Mode Enabled	Power Save Mode Disabled	
OFF <input type="checkbox"/> OFF	7 Bypass Shows while Armed	Bypass doesn't show/Armed	
OFF <input type="checkbox"/> OFF	8 Keypad Tamper enabled	Keypad Tamper disabled	

[020] Keypad Zone Assignments (Keypad zones will replace regular hardwire zones)

Default

00 <input type="checkbox"/> <input type="checkbox"/> Keypad (Slot 1) Zone	Valid entries are 01-32
00 <input type="checkbox"/> <input type="checkbox"/> Keypad (Slot 2) Zone	
00 <input type="checkbox"/> <input type="checkbox"/> Keypad (Slot 3) Zone	First assign keypad slot in 000 section 0 (11 to 18)
00 <input type="checkbox"/> <input type="checkbox"/> Keypad (Slot 4) Zone	(Keypad added as 11 would be Slot 1 here, 18 is Slot 8)
00 <input type="checkbox"/> <input type="checkbox"/> Keypad (Slot 5) Zone	then add Zone number here in proper slot
00 <input type="checkbox"/> <input type="checkbox"/> Keypad (Slot 6) Zone	(Ex: Zone 07 to Keypad 12 enter 00 07 00 00 00 00 00 00)
00 <input type="checkbox"/> <input type="checkbox"/> Keypad (Slot 7) Zone	
00 <input type="checkbox"/> <input type="checkbox"/> Keypad (Slot 8) Zone	

Zone Attributes (If Wireless is used turn light 8 ON)	Opt 1	Opt 2	Opt 3	Opt 4	Opt 5	Opt 6	Opt 7	Opt 8
ON	Audible	Steady	Chime	Bypass	Force	Swinger	Tx Delay	Wireless
OFF	Silent	Pulsed	No	No	No	No	No	No
[101] Zone 1	<input type="checkbox"/>	<input type="checkbox"/>	<input type="checkbox"/>	<input type="checkbox"/>	<input type="checkbox"/>	<input type="checkbox"/>	<input type="checkbox"/>	<input type="checkbox"/>
[102] Zone 2	<input type="checkbox"/>	<input type="checkbox"/>	<input type="checkbox"/>	<input type="checkbox"/>	<input type="checkbox"/>	<input type="checkbox"/>	<input type="checkbox"/>	<input type="checkbox"/>
[103] Zone 3	<input type="checkbox"/>	<input type="checkbox"/>	<input type="checkbox"/>	<input type="checkbox"/>	<input type="checkbox"/>	<input type="checkbox"/>	<input type="checkbox"/>	<input type="checkbox"/>
[104] Zone 4	<input type="checkbox"/>	<input type="checkbox"/>	<input type="checkbox"/>	<input type="checkbox"/>	<input type="checkbox"/>	<input type="checkbox"/>	<input type="checkbox"/>	<input type="checkbox"/>
[105] Zone 5	<input type="checkbox"/>	<input type="checkbox"/>	<input type="checkbox"/>	<input type="checkbox"/>	<input type="checkbox"/>	<input type="checkbox"/>	<input type="checkbox"/>	<input type="checkbox"/>
[106] Zone 6	<input type="checkbox"/>	<input type="checkbox"/>	<input type="checkbox"/>	<input type="checkbox"/>	<input type="checkbox"/>	<input type="checkbox"/>	<input type="checkbox"/>	<input type="checkbox"/>
[107] Zone 7	<input type="checkbox"/>	<input type="checkbox"/>	<input type="checkbox"/>	<input type="checkbox"/>	<input type="checkbox"/>	<input type="checkbox"/>	<input type="checkbox"/>	<input type="checkbox"/>
[108] Zone 8	<input type="checkbox"/>	<input type="checkbox"/>	<input type="checkbox"/>	<input type="checkbox"/>	<input type="checkbox"/>	<input type="checkbox"/>	<input type="checkbox"/>	<input type="checkbox"/>
To								
[132] Zone 32	<input type="checkbox"/>	<input type="checkbox"/>	<input type="checkbox"/>	<input type="checkbox"/>	<input type="checkbox"/>	<input type="checkbox"/>	<input type="checkbox"/>	<input type="checkbox"/>

PGM Attributes (PC5010 Main Board) {button PGM Attribute Programming,JumpID("", "Scribble1688")}

[141] PGM 1 Attributes

[142] PGM 2 Attributes

PGM Attributes (PC5208 Output Expander)

[143] PGM 3 Attributes

[144] PGM 4 Attributes

[145] PGM 5 Attributes

[146] PGM 6 Attributes

[147] PGM 7 Attributes

[148] PGM 8 Attributes

[149] PGM 9 Attributes

[150] PGM 10 Attributes

PGM Attributes (PC5204 Power Supply)

[151] PGM 11 Attributes

[152] PGM 12 Attributes

[153] PGM 13 Attributes

[154] PGM 14 Attributes

DSC PC5010/Power832 v2 Program Sheet

[160] Maximum Dialing Attempts to Each Phone Number

Default: 008 | | | Valid entries are 001-255 attempts (Do not enter 000)

[161] Post Dial Wait for Handshake

Default: 040 | | | Valid entries are 001-255 seconds

[201] Partition 2 Enable

Default Option ON
OFF | OFF | 1 Partition 2 Enabled
OFF | OFF | 2 To 8 Future Use

OFF
Partition 2 Not Enabled

[202] Partition 1 Zone Assignments 01 to 08

Default Option ON
ON | ON | 1 Zone 01 is on Partition 1
ON | ON | 2 Zone 02 is on Partition 1
ON | ON | 3 Zone 03 is on Partition 1
ON | ON | 4 Zone 04 is on Partition 1
ON | ON | 5 Zone 05 is on Partition 1
ON | ON | 6 Zone 06 is on Partition 1
ON | ON | 7 Zone 07 is on Partition 1
ON | ON | 8 Zone 08 is on Partition 1

(Toggle Zone lights ON or OFF then # to exit)
OFF

Zone 01 is not on Partition 1
Zone 02 is not on Partition 1
Zone 03 is not on Partition 1
Zone 04 is not on Partition 1
Zone 05 is not on Partition 1
Zone 06 is not on Partition 1
Zone 07 is not on Partition 1
Zone 08 is not on Partition 1

[203] Partition 1 Zone Assignments 09 to 16

Default Option ON
ON | ON | 1 Zone 09 is on Partition 1
ON | ON | 2 Zone 10 is on Partition 1
ON | ON | 3 Zone 11 is on Partition 1
ON | ON | 4 Zone 12 is on Partition 1
ON | ON | 5 Zone 13 is on Partition 1
ON | ON | 6 Zone 14 is on Partition 1
ON | ON | 7 Zone 15 is on Partition 1
ON | ON | 8 Zone 16 is on Partition 1

(Toggle Zone lights ON or OFF then # to exit)
OFF

Zone 09 is not on Partition 1
Zone 10 is not on Partition 1
Zone 11 is not on Partition 1
Zone 12 is not on Partition 1
Zone 13 is not on Partition 1
Zone 14 is not on Partition 1
Zone 15 is not on Partition 1
Zone 16 is not on Partition 1

[204] Partition 1 Zone Assignments 17 to 24

Default Option ON
ON | ON | 1 Zone 17 is on Partition 1
ON | ON | 2 Zone 18 is on Partition 1
ON | ON | 3 Zone 19 is on Partition 1
ON | ON | 4 Zone 20 is on Partition 1
ON | ON | 5 Zone 21 is on Partition 1
ON | ON | 6 Zone 22 is on Partition 1
ON | ON | 7 Zone 23 is on Partition 1
ON | ON | 8 Zone 24 is on Partition 1

(Toggle Zone lights ON or OFF then # to exit)
OFF

Zone 17 is not on Partition 1
Zone 18 is not on Partition 1
Zone 19 is not on Partition 1
Zone 20 is not on Partition 1
Zone 21 is not on Partition 1
Zone 22 is not on Partition 1
Zone 23 is not on Partition 1
Zone 24 is not on Partition 1

[205] Partition 1 Zone Assignments 25 to 32

Default Option ON
ON | ON | 1 Zone 25 is on Partition 1
ON | ON | 2 Zone 26 is on Partition 1
ON | ON | 3 Zone 27 is on Partition 1
ON | ON | 4 Zone 28 is on Partition 1
ON | ON | 5 Zone 29 is on Partition 1
ON | ON | 6 Zone 30 is on Partition 1
ON | ON | 7 Zone 31 is on Partition 1
ON | ON | 8 Zone 32 is on Partition 1

(Toggle Zone lights ON or OFF then # to exit)
OFF

Zone 25 is not on Partition 1
Zone 26 is not on Partition 1
Zone 27 is not on Partition 1
Zone 28 is not on Partition 1
Zone 29 is not on Partition 1
Zone 30 is not on Partition 1
Zone 31 is not on Partition 1
Zone 32 is not on Partition 1

[206] Partition 2 Zone Assignments 01 to 08

Default Option ON
OFF | OFF | 1 Zone 01 is on Partition 2
OFF | OFF | 2 Zone 02 is on Partition 2
OFF | OFF | 3 Zone 03 is on Partition 2
OFF | OFF | 4 Zone 04 is on Partition 2
OFF | OFF | 5 Zone 05 is on Partition 2
OFF | OFF | 6 Zone 06 is on Partition 2
OFF | OFF | 7 Zone 07 is on Partition 2
OFF | OFF | 8 Zone 08 is on Partition 2

(Toggle Zone lights ON or OFF then # to exit)
OFF

Zone 01 is not on Partition 2
Zone 02 is not on Partition 2
Zone 03 is not on Partition 2
Zone 04 is not on Partition 2
Zone 05 is not on Partition 2
Zone 06 is not on Partition 2
Zone 07 is not on Partition 2
Zone 08 is not on Partition 2

DSC PC5010/Power832 v2 Program Sheet

[323] Alarm Report Codes Zone 25 to 32

Default

FF | F | F | Zone 25 Alarm
FF | F | F | Zone 26 Alarm
FF | F | F | Zone 27 Alarm
FF | F | F | Zone 28 Alarm

Default

FF | F | F | Zone 29 Alarm
FF | F | F | Zone 30 Alarm
FF | F | F | Zone 31 Alarm
FF | F | F | Zone 32 Alarm

[324] Alarm Restoral Report Codes Zones 01 to 08

Default

FF | F | F | Zone 01 Restoral
FF | F | F | Zone 02 Restoral
FF | F | F | Zone 03 Restoral
FF | F | F | Zone 04 Restoral

Default

FF | F | F | Zone 05 Restoral
FF | F | F | Zone 06 Restoral
FF | F | F | Zone 07 Restoral
FF | F | F | Zone 08 Restoral

[325] Alarm Restoral Report Codes Zone 09 to 16

Default

FF | F | F | Zone 09 Restoral
FF | F | F | Zone 10 Restoral
FF | F | F | Zone 11 Restoral
FF | F | F | Zone 12 Restoral

Default

FF | F | F | Zone 13 Restoral
FF | F | F | Zone 14 Restoral
FF | F | F | Zone 15 Restoral
FF | F | F | Zone 16 Restoral

[326] Alarm Restoral Report Codes Zone 17 to 24

Default

FF | F | F | Zone 17 Restoral
FF | F | F | Zone 18 Restoral
FF | F | F | Zone 19 Restoral
FF | F | F | Zone 20 Restoral

Default

FF | F | F | Zone 21 Restoral
FF | F | F | Zone 22 Restoral
FF | F | F | Zone 23 Restoral
FF | F | F | Zone 24 Restoral

[327] Alarm Restoral Report Codes Zone 25 to 32

Default

FF | F | F | Zone 25 Restoral
FF | F | F | Zone 26 Restoral
FF | F | F | Zone 27 Restoral
FF | F | F | Zone 28 Restoral

Default

FF | F | F | Zone 29 Restoral
FF | F | F | Zone 30 Restoral
FF | F | F | Zone 31 Restoral
FF | F | F | Zone 32 Restoral

[328] Miscellaneous Alarm Reporting Codes

Default

FF | F | F | Duress
FF | F | F | Opening After Alarm (Cancel)
FF | F | F | Recent Closing (Exit Alarm)

Default

FF | F | F | Zone Expander Supervisory Alarm
FF | F | F | Zone Expander Supervisory Restore
FF | F | F | Cross Zone Police Alarm

[329] Priority Alarm and Restoral

Default

FF | F | F | Keypad Fire Alarm
FF | F | F | Keypad Aux (Medical) Alarm
FF | F | F | Keypad Panic Alarm
FF | F | F | PGM2 / 2-Wire Smoke Alarm

Default

FF | F | F | Keypad Fire Restoral
FF | F | F | Keypad Aux (Medical) Restoral
FF | F | F | Keypad Panic Alarm
FF | F | F | PGM2 / 2-Wire Smoke Restoral

[330] Tamper Reporting Codes Zones 01 to 08

Default

FF | F | F | Zone 01 Tamper
FF | F | F | Zone 02 Tamper
FF | F | F | Zone 03 Tamper
FF | F | F | Zone 04 Tamper

Default

FF | F | F | Zone 05 Tamper
FF | F | F | Zone 06 Tamper
FF | F | F | Zone 07 Tamper
FF | F | F | Zone 08 Tamper

[331] Tamper Report Codes Zone 09 to 16

Default

FF | F | F | Zone 09 Tamper
FF | F | F | Zone 10 Tamper
FF | F | F | Zone 11 Tamper
FF | F | F | Zone 12 Tamper

(PC580 v2.3 only)

Default

FF | F | F | Zone 13 Tamper
FF | F | F | Zone 14 Tamper
FF | F | F | Zone 15 Tamper
FF | F | F | Zone 16 Tamper

[332] Tamper Report Codes Zone 17 to 24

Default

FF | F | F | Zone 17 Tamper
FF | F | F | Zone 18 Tamper
FF | F | F | Zone 19 Tamper
FF | F | F | Zone 20 Tamper

Default

FF | F | F | Zone 21 Tamper
FF | F | F | Zone 22 Tamper
FF | F | F | Zone 23 Tamper
FF | F | F | Zone 24 Tamper

[333] Tamper Report Codes Zone 25 to 32

Default

FF | F | F | Zone 25 Tamper
FF | F | F | Zone 26 Tamper
FF | F | F | Zone 27 Tamper
FF | F | F | Zone 28 Tamper

Default

FF | F | F | Zone 29 Tamper
FF | F | F | Zone 30 Tamper
FF | F | F | Zone 31 Tamper
FF | F | F | Zone 32 Tamper

DSC PC5010/Power832 v2 Program Sheet

[334] Tamper Restoral Reporting Codes Zones 01 tp 08

Default

FF Zone 01 Tamper Restoral
FF Zone 02 Tamper Restoral
FF Zone 03 Tamper Restoral
FF Zone 04 Tamper Restoral

Default

FF Zone 05 Tamper Restoral
FF Zone 06 Tamper Restoral
FF Zone 07 Tamper Restoral
FF Zone 08 Tamper Restoral

[335] Tamper Restoral Report Codes Zone 09 to 16

Default

FF Zone 09 Tamper Restoral
FF Zone 10 Tamper Restoral
FF Zone 11 Tamper Restoral
FF Zone 12 Tamper Restoral

Default

FF Zone 13 Tamper Restoral
FF Zone 14 Tamper Restoral
FF Zone 15 Tamper Restoral
FF Zone 16 Tamper Restoral

[336] Tamper Restoral Report Codes Zone 17 to 24

Default

FF Zone 17 Tamper Restoral
FF Zone 18 Tamper Restoral
FF Zone 19 Tamper Restoral
FF Zone 20 Tamper Restoral

Default

FF Zone 21 Tamper Restoral
FF Zone 22 Tamper Restoral
FF Zone 23 Tamper Restoral
FF Zone 24 Tamper Restoral

[337] Tamper Restoral Report Codes Zone 25 to 32

Default

FF Zone 25 Tamper Restoral
FF Zone 26 Tamper Restoral
FF Zone 27 Tamper Restoral
FF Zone 28 Tamper Restoral

Default

FF Zone 29 Tamper Restoral
FF Zone 30 Tamper Restoral
FF Zone 31 Tamper Restoral
FF Zone 32 Tamper Restoral

[338] Miscellaneous Tamper Reporting Codes

Default

FF General System Tamper
FF General System Tamper Restoral
FF Keypad Lockout

[339] Closing (Arming) Reporting Codes Access Codes 01 to 08

Default

FF User Code 01 Closing
FF User Code 02 Closing
FF User Code 03 Closing
FF User Code 04 Closing

Default

FF User Code 05 Closing
FF User Code 06 Closing
FF User Code 07 Closing
FF User Code 08 Closing

[340] Closing (Arming) Reporting Codes Access Codes 09 to 16

Default

FF User Code 09 Closing
FF User Code 10 Closing
FF User Code 11 Closing
FF User Code 12 Closing

Default

FF User Code 13 Closing
FF User Code 14 Closing
FF User Code 15 Closing
FF User Code 16 Closing

[341] Closing (Arming) Reporting Codes Access Codes 17 to 24

Default

FF User Code 17 Closing
FF User Code 18 Closing
FF User Code 19 Closing
FF User Code 20 Closing

Default

FF User Code 21 Closing
FF User Code 22 Closing
FF User Code 23 Closing
FF User Code 24 Closing

[342] Closing (Arming) Reporting Codes Access Codes 25 to 32

Default

FF User Code 25 Closing
FF User Code 26 Closing
FF User Code 27 Closing
FF User Code 28 Closing

Default

FF User Code 29 Closing
FF User Code 30 Closing
FF User Code 31 Closing
FF User Code 32 Closing

[343] Miscellaneous Closing (Arming) Reporting Codes

Default

FF User Code 33 Closing
FF User Code 34 Closing
FF Master Code 40 Closing
FF Master Code 41 Closing

Default

FF Master Code 42 Closing
FF Partial Closing
FF Special Closing

[344] Opening (Disarming) Reporting Codes Access Codes 01 to 08

Default

FF User Code 01 Opening
FF User Code 02 Opening
FF User Code 03 Opening
FF User Code 04 Opening

Default

FF User Code 05 Opening
FF User Code 06 Opening
FF User Code 07 Opening
FF User Code 08 Opening

DSC PC5010/Power832 v2 Program Sheet

[345] Opening (Disarming) Reporting Codes Access Codes 09 to 16

Default

FF User Code 09 Opening
 FF User Code 10 Opening
 FF User Code 11 Opening
 FF User Code 12 Opening

Default

FF User Code 13 Opening
 FF User Code 14 Opening
 FF User Code 15 Opening
 FF User Code 16 Opening

[346] Opening (Disarming) Reporting Codes Access Codes 17 to 24

Default

FF User Code 17 Opening
 FF User Code 18 Opening
 FF User Code 19 Opening
 FF User Code 20 Opening

Default

FF User Code 21 Opening
 FF User Code 22 Opening
 FF User Code 23 Opening
 FF User Code 24 Opening

[347] Opening (Disarming) Reporting Codes Access Codes 25 to 32

Default

FF User Code 25 Opening
 FF User Code 26 Opening
 FF User Code 27 Opening
 FF User Code 28 Opening

Default

FF User Code 29 Opening
 FF User Code 30 Opening
 FF User Code 31 Opening
 FF User Code 32 Opening

[348] Miscellaneous Opening (Disarming) Reporting Codes

Default

FF User Code 33 Opening
 FF User Code 34 Opening
 FF Master Code 40 Opening
 FF Master Code 41 Opening

Default

FF Master Code 42 Opening
 FF Auto Arm Cancellation
 FF Special Opening

[349] Maintenance Alarm Reporting Codes

Default

FF Battery Trouble
 FF AC Failure Trouble
 FF Bell Circuit Trouble
 FF Fire Trouble Alarm

Default

FF Auxiliary Power Supply Trouble
 FF TLM Trouble (via LINKS)
 FF General System Trouble
 FF General System Supervisory

[350] Maintenance Restoral Reporting Codes

Default

FF Battery Trouble Restoral
 FF AC Failure Trouble Restoral
 FF Bell Circuit Trouble Restoral
 FF Fire Trouble Alarm Restoral

Default

FF Auxiliary Power Supply Restoral
 FF TLM Trouble Restoral
 FF General System Trouble Restoral
 FF General System Superv. Restoral

[351] Miscellaneous Maintenance Report Codes

Default

FF Phone Number 1 FTC
 FF Phone Number 1 FTC Restoral
 FF Event Buffer 75% Full
 FF DLS Lead IN

Default

FF DLS Lead OUT
 FF General Zone Trouble Alarm
 FF General Zone Trouble Restoral
 FF Delinquency Code

[352] Test Transmission Report Codes

Default

FF Periodic Test Transmission
 FF System Test

Default

FF LINKS 1000 Test Transmission Code

[353] Wireless Maintenance Report Codes

Default

FF General Zone Low Battery
 FF General Zone Low Battery Restoral

[360] Communicator Format Options

Default

02 <input type="checkbox"/> <u>0</u> <input type="checkbox"/> <u>4</u> <input type="checkbox"/> 1st & 3rd Phone Number	01 = 4/2 20BPS 1400HZ	<u>04</u> = SIA FSK
02 <input type="checkbox"/> <u>0</u> <input type="checkbox"/> <u>5</u> <input type="checkbox"/> 2nd Phone Number	02 = 4/2 20BPS 2300HZ	05 = Pager
	03 = Contact ID	

[361] Partition 1 Alarms/Restorals Call Directions

Default

Option ON
 ON ON | 1 1st Telephone Number
 OFF OFF | 2 2nd Telephone Number
 OFF OFF | 3 1st Telephone Number (LINKS)
 OFF OFF | 4 2nd Telephone Number (LINKS)
 OFF OFF | 5 to 8 for Future Use

(Toggle Zone lights ON or OFF then # to exit)

OFF
 Disabled
 Disabled
 Disabled
 Disabled

DSC PC5010/Power832 v2 Program Sheet

[362] Partition 2 Alarms/ Restorals Call Directions (Toggle Zone lights ON or OFF then # to exit)
 Default Option ON
 ON ON | 1 1st Telephone Number Disabled
 OFF OFF | 2 2nd Telephone Number Disabled
 OFF OFF | 3 1st Telephone Number (LINKS) Disabled
 OFF OFF | 4 2nd Telephone Number (LINKS) Disabled
 OFF OFF | 5 to 8 for Future Use

[363] Partition 1 Tamper/Restorals Call Directions (Toggle Zone lights ON or OFF then # to exit)
 Default Option ON
 ON ON | 1 1st Telephone Number Disabled
 OFF OFF | 2 2nd Telephone Number Disabled
 OFF OFF | 3 1st Telephone Number (LINKS) Disabled
 OFF OFF | 4 2nd Telephone Number (LINKS) Disabled
 OFF OFF | 5 to 8 for Future Use

[364] Partition 2 Tamper/Restorals Call Directions (Toggle Zone lights ON or OFF then # to exit)
 Default Option ON
 ON ON | 1 1st Telephone Number Disabled
 OFF OFF | 2 2nd Telephone Number Disabled
 OFF OFF | 3 1st Telephone Number (LINKS) Disabled
 OFF OFF | 4 2nd Telephone Number (LINKS) Disabled
 OFF OFF | 5 to 8 for Future Use

[365] Partition 1 Openings/Closings Call Directions (Toggle Zone lights ON or OFF then # to exit)
 Default Option ON
 ON OFF | 1 1st Telephone Number Disabled
 OFF OFF | 2 2nd Telephone Number Disabled
 OFF OFF | 3 1st Telephone Number (LINKS) Disabled
 OFF OFF | 4 2nd Telephone Number (LINKS) Disabled
 OFF OFF | 5 to 8 for Future Use

[366] Partition 2 Openings/Closings Call Directions (Toggle Zone lights ON or OFF then # to exit)
 Default Option ON
 ON OFF | 1 1st Telephone Number Disabled
 OFF OFF | 2 2nd Telephone Number Disabled
 OFF OFF | 3 1st Telephone Number (LINKS) Disabled
 OFF OFF | 4 2nd Telephone Number (LINKS) Disabled
 OFF OFF | 5 to 8 for Future Use

[367] Maintenance Alarms/Restorals Call Directions (Toggle Zone lights ON or OFF then # to exit)
 Default Option ON
 ON ON | 1 1st Telephone Number Disabled
 OFF OFF | 2 2nd Telephone Number Disabled
 OFF OFF | 3 1st Telephone Number (LINKS) Disabled
 OFF OFF | 4 2nd Telephone Number (LINKS) Disabled
 OFF OFF | 5 to 8 for Future Use

[368] System Test Transmissions Call Directions (Toggle Zone lights ON or OFF then # to exit)
 Default Option ON
 ON ON | 1 1st Telephone Number Disabled
 OFF OFF | 2 2nd Telephone Number Disabled
 OFF OFF | 3 1st Telephone Number (LINKS) Disabled
 OFF OFF | 4 2nd Telephone Number (LINKS) Disabled
 OFF OFF | 5 to 8 for Future Use

[370] Communication Variables
 Default
 003 | 0 | 0 | 3 | Swinger Shutdwn (Alarms&Rest) (001-014 Trans, 000=disabled)
 003 | 0 | 0 | 3 | Swinger Shutdwn (Tamper&Rest) (001-014 Trans, 000=disabled)
 003 | 0 | 0 | 3 | Swinger Shutdwn (Maint&Rest) (001-014 Trans, 000=disabled)
 000 | 0 | 0 | 0 | Communication Delay (001-255 seconds)
 030 | 0 | 6 | 0 | AC Failure Communication Delay (001-255 minutes)
 003 | 0 | 0 | 6 | TLM Trouble Delay Land Line (No. of valid checks required - 000-255 x 10s)
 030 | 0 | 3 | 0 | TLM Trouble Delay Links (No. of valid checks required - 000-255 x 10s)
 030 | 0 | 3 | 0 | Test Transmission Cycle (001-255 days; 000 to disable)
 007 | 0 | 0 | 7 | Transmitter Low Battery Transmission Delay (000-255 days)
 030 | 0 | 3 | 0 | Delinquency Transmission Cycle (000-255 days)

[371] Test Transmission Time of Day
 Default
 9999 | ____ | ____ | ____ | ____ | Valid entries are 0000 to 2359

DSC PC5010/Power832 v2 Program Sheet

[380] First Communicator Option Code		(Toggle Zone lights ON or OFF then # to exit)
Default	Option ON	OFF
ON <input type="checkbox"/> ON	1 Communications Enabled	Disabled
OFF <input type="checkbox"/> ON	2 Restorals on Bell Time-Out	Restorals Follow Zones
OFF <input type="checkbox"/> OFF	3 Pulse Dialing	DTMF Dialing
ON <input type="checkbox"/> ON	4 Switch to Pulse after 5th Attempt	DTMF for All Attempts
OFF <input type="checkbox"/> OFF	5 3rd Phone Number Enabled	Disabled
OFF <input type="checkbox"/> OFF	6 Alternate Dial 1st & 3rd	Call 1st Number, Backup to 3rd
OFF <input type="checkbox"/> OFF	7 Call Links as well as Land Line	Links is Backup to Land Line
OFF <input type="checkbox"/> OFF	8 Delinquency Follows Activity (Hrs)	Delinquency Follows Arming (Days)

[381] Second Communicator Option Code		(Toggle Zone lights ON or OFF then # to exit)
Default	Option ON	OFF
OFF <input type="checkbox"/> OFF	1 Open after Alarm Ringback Enable	Disabled
OFF <input type="checkbox"/> OFF	2 Open After Bell Ringback Enable	Disabled
OFF <input type="checkbox"/> OFF	3 SIA sends Programmed Report Codes	SIA sends Automatic Report Codes
OFF <input type="checkbox"/> OFF	4 Closing Confirmation Enabled	Disabled
ON <input type="checkbox"/> ON	5 5928 Phone 1 & 3 Listen In Enabled	Disabled
OFF <input type="checkbox"/> OFF	6 5928 Phone 2 Listen In Enabled	Disabled
OFF <input type="checkbox"/> OFF	7 to 8 For Future Use	

[390] Links Preamble First Telephone Number
 Default
 FFFF | | | | |

[391] Links Preamble Second Telephone Number
 Default
 FFFF | | | | |

[392] Links Preamble Third Telephone Number
 Default
 FFFF | F | F | F | F |

[393] Links Special Function Preamble
 Default
 FFFF | F | F | F | F |

Download Programming

[401] First Downloading Option Code		(Toggle Zone lights ON or OFF then # to exit)
Default	Option ON	OFF
OFF <input type="checkbox"/> ON	1 Downloading Enabled	Disabled
ON <input type="checkbox"/> ON	2 User Can Enable DLS Window	Disabled
OFF <input type="checkbox"/> OFF	3 Call Back Enabled	Disabled
OFF <input type="checkbox"/> OFF	4 User Initiated Call-Up Enabled	Disabled
OFF <input type="checkbox"/> OFF	5 to 8 For Future Use	

[402] Downloading Telephone Number (32 Digits)
 | L | E | A | V | E | | B | L | A | N | K | | | | | | | | | | | | | | | | | | | | | | | | | | | | |

[403] Downloading Access Code
 Default
 5010 | 5 | 0 | 1 | 0 |

[404] Panel Identification Code
 Default
 5010 | 5 | 0 | 1 | 0 |

[405] Answer Machine Double Call Timer
 Default
 060 | 0 | 6 | 0 |

[406] Number of Rings to Answer On
 Default
 000 | 0 | 1 | 0 |

[490] Links Preamble Download Phone Number
 Default
 FFFF | F | F | F | F |

[499] + Installer Code + 499 Initiate PC-Link (Local Downloading)

DSC PC5010/Power832 v2 Program Sheet

Module Programming

[801] PC5400 Printer Module

[802] PC5908/5928 Intercom Module

[803] PC2150/2250 Long Range Radio or Skyroute

[804] PC5132 Wireless Receiver (Use "ESN" Number from sticker on sensor, if only "SN" add 0 as 1st digit)

All DSC Wireless sensor Serial Numbers go here EXCEPT WLS910 Hand Held Keypad or WLS909 Keyfob

Default = 000000 (WARNING! If these sections only accept 5 digits Receiver is V2.0 or 2.1!)

[01] Zone 01	_ _ _ _	[17] Zone 17	_ _ _ _
[02] Zone 02	_ _ _ _	[18] Zone 18	_ _ _ _
[03] Zone 03	_ _ _ _	[19] Zone 19	_ _ _ _
[04] Zone 04	_ _ _ _	[20] Zone 20	_ _ _ _
[05] Zone 05	_ _ _ _	[21] Zone 21	_ _ _ _
[06] Zone 06	_ _ _ _	[22] Zone 22	_ _ _ _
[07] Zone 07	_ _ _ _	[23] Zone 23	_ _ _ _
[08] Zone 08	_ _ _ _	[24] Zone 24	_ _ _ _
[09] Zone 09	_ _ _ _	[25] Zone 25	_ _ _ _
[10] Zone 10	_ _ _ _	[26] Zone 26	_ _ _ _
[11] Zone 11	_ _ _ _	[27] Zone 27	_ _ _ _
[12] Zone 12	_ _ _ _	[28] Zone 28	_ _ _ _
[13] Zone 13	_ _ _ _	[29] Zone 29	_ _ _ _
[14] Zone 14	_ _ _ _	[30] Zone 30	_ _ _ _
[15] Zone 15	_ _ _ _	[31] Zone 31	_ _ _ _
[16] Zone 16	_ _ _ _	[32] Zone 32	_ _ _ _

Handheld Keypad Serial Numbers

Default = 000000

[33] Keypad 01	_ _ _ _	[35] Keypad 03	_ _ _ _
[34] Keypad 02	_ _ _ _	[36] Keypad 04	_ _ _ _

Wireless Keyfob Serial Numbers

Default = 000000

[41] Key 01	_ _ _ _	[49] Key 09	_ _ _ _
[42] Key 02	_ _ _ _	[50] Key 10	_ _ _ _
[43] Key 03	_ _ _ _	[51] Key 11	_ _ _ _
[44] Key 04	_ _ _ _	[52] Key 12	_ _ _ _
[45] Key 05	_ _ _ _	[53] Key 13	_ _ _ _
[46] Key 06	_ _ _ _	[54] Key 14	_ _ _ _
[47] Key 07	_ _ _ _	[55] Key 15	_ _ _ _
[48] Key 08	_ _ _ _	[56] Key 16	_ _ _ _

Handheld Keypad Options

Partition 1 Handheld Keypad Options (WLS910 Hand Held Keypad Button Definitions here)

[57] Function Key 1	_ _ _	Function Key 3	_ _ _
Function Key 2	_ _ _	Function Key 4	_ _ _

Partition 2 Handheld Keypad Options

[58] Function Key 1	_ _ _	Function Key 3	_ _ _
Function Key 2	_ _ _	Function Key 4	_ _ _

Wireless Keyfob Options

Partition 1 Wireless Key Options (WLS909 Keyfob Button Definitions here)

[59] Function Key 1	_ _ _	Function Key 3	_ _ _
Function Key 2	_ _ _	Function Key 4	_ _ _

Partition 2 Wireless Key Options

[60] Function Key 1	_ _ _	Function Key 3	_ _ _
Function Key 2	_ _ _	Function Key 4	_ _ _

[00] Key Not Used	[16] * 0 Quick Exit
[01] For Future Use	[17] * 1 Reactivate Stay/Aways
[02] For Future Use	[18] For Future Use
[03] Stay Arm	[19] * 7 3 Command Output 3
[04] Away Arm	[20] For Future Use
[05] * 9 No-Entry Arm	[21] * 7 4 Command Output 4
[06] * 4 Chime ON/OFFI	[22] to [26] For Future Use
[07] * 6 ---- 4 System Test	[27] Disarm (OFF)
[08] to [12] For Future Use	[28] Fire Alarm
[13] * 7 1 Command Output 1	[29] Aux/Medical Alarm
[14] * 7 2 Sensor Reset	[30] Police Panic
[15] For Future Use	

DSC PC5010/Power832 v2 Program Sheet

Special Installer Functions

[981] Installer Buzzer Walk Test Mode Begin/End

[902] Module Supervision Enable/Reset

[903] View Module Supervision Field

[904] Wireless Module Placement Test

Select the module / transmitter (Zones 01-32)

Press # to Cancel

Placement	Led Keypad	Alpha Keypad	Bell / Buzzer
Good	Light 1 ON Steady	GOOD	1 Beep / Squawk
Fair	Light 2 ON Steady	FAIR	2 Beeps / Squawks
Bad	Light 3 ON Steady	BAD	3 Beeps / Squawks

[990] Installer Lockout Enable

[991] Installer Lockout Disable

[993] Restore Links Long Range Radio Programming

993 + Installer Code + 993

[995] Restore PC5580 Factory Default Programming

995 + Installer Code + 995

[996] Restore PC5132 Factory Default Programming

996 + Installer Code + 996

[997] Restore PC5400 Factory Default Programming

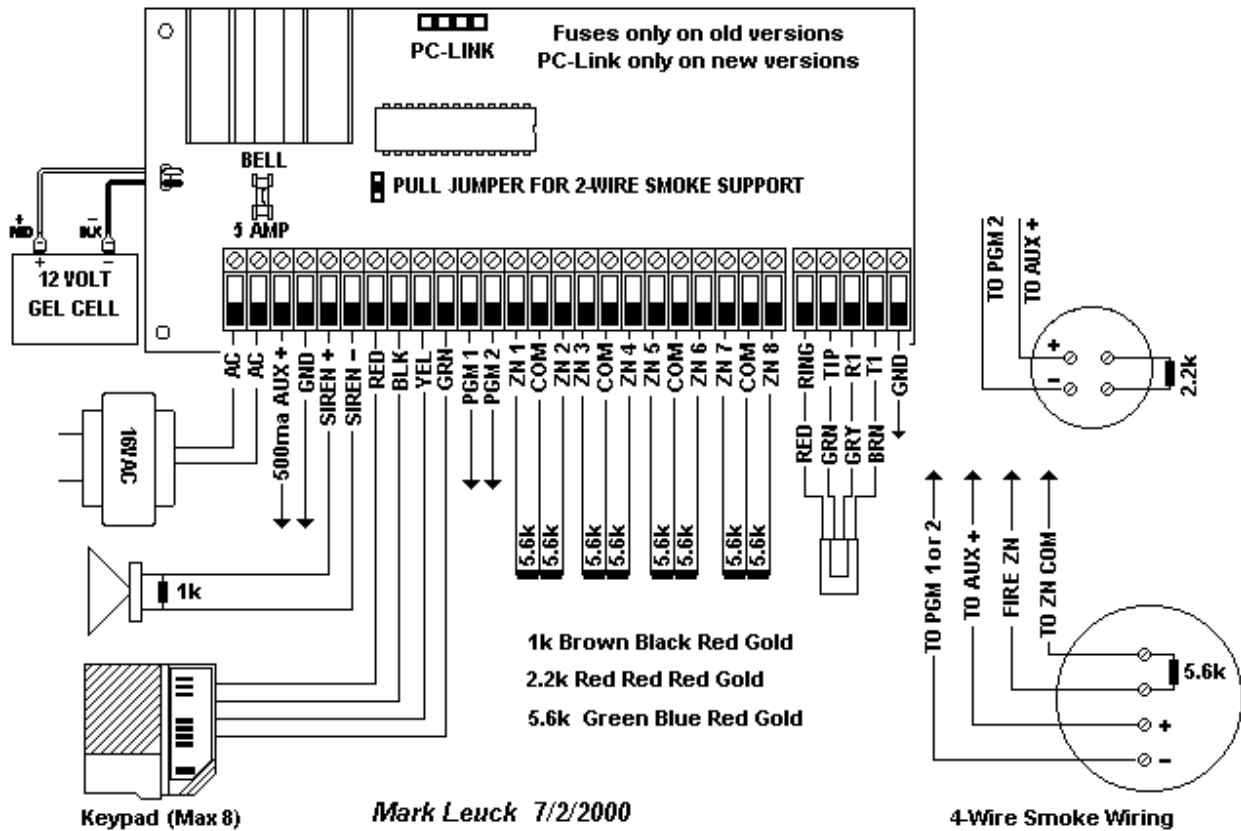
997 + Installer Code + 997

[998] Restore PC5908/5928 Factory Default Programming

998 + Installer Code + 998

[999] Restore Factory Default Programming

999 + Installer Code + 999



Monitronics PC5010/Power832 Quick Reference Guide

Monitoring and Service call 1-800-447-9239

Arm Away	Hold AWAY button for 3 seconds (if available) Or Enter User Code then leave
Arm Stay	Hold STAY key for 3 seconds (if available) Or Enter User Code and do not leave, system should arm with interior motion detectors bypassed
Disarming / Silencing Alarm	Enter 4 digit User Code Press # and enter User Code again if a mistake is made while disarming
Instant Doors	Press * 9 + User Code, system will arm all exterior zones instant Instant zones will return to normal when system is disarmed
Zone Bypassing	Press * 1 + Zone to bypass (01, 02 etc) When finished press # When system is disarmed all bypassed zones will reset to normal
User Codes	Press * 5 + Master Code + User (01 to 32) + New User Code + # To erase a code repeat steps above but enter * instead of 4 digit code. To exit press # The 40 th code is the Master Code, the 33 rd code is a Hostage Code (if enabled)
Door Chimes	Hold CHIME button for 2 seconds (if available) or press * 4 to turn on or off
Smoke Detector Reset	To silence siren enter 4 digit User Code. To reset smoke detector press * 72. There will be a 5-second tone while smoke detector resets
Trouble Light	If the SYSTEM or TROUBLE Light turns on press * + 2 and view Zone Lights Light 1 = System Fault (Press 1 again) 1 = Low System Battery 2 = Siren Trouble Any other Light in this section indicates Internal Panel Problem Light 2 = AC Failure Light 3 = Telephone Line Trouble Light 4 = Failure to Communicate Light 5 = Zone Trouble Light 6 = Zone Tamper Light 7 = Zone Low Battery Light 8 = Loss of System Clock(see below) Press * + 6 + Master Code + 1, enter Hours + Minutes + Day + Month + Year + # to exit <i>Example: 1:30PM 07/19/99 would be 1330 0719 99</i>
Alarm Memory	Press * + 3, the zone or zones that caused the last alarm will flash, press # to exit