

DSC PC1575 Program Sheet

Supported PC5580 Escort
 DSC Modules PC5400 Printer Module
 DLM-1/DLM-4 Downlook Module
 Cannot use PC5132 Wireless Receiver or Sensors

Enter Program * 8 1575 (READY, ARMED and TROUBLE Lights should flash)

Exit Program #

Move to location Enter 2-digit location, some areas may require # to exit

Default Panel
 1. Connect wire from Zone 1 to PGM1
 2. Power up panel, wait 10 seconds
 3. If Zone 1 turns ON panel is defaulted, if not panel is locked

Enable Download * + 6 + Master Code + 5 (Enables for 1 hour)
 (System also enables downloading for 1 hour if powered down then up)

Hex Program A = * 1 *, B = * 2 *, C = * 3 *, D = * 4 *, E = * 5 *, F = * 6 *

[00] Keypad Assignment (must be done at each keypad)

[0] Slot (Valid entries are 11-18 for the Slot)

[1] Function Key 1 Assignment (Default = 03)

[2] Function Key 2 Assignment (Default = 04)

[3] Function Key 3 Assignment (Default = 06)

[4] Function Key 4 Assignment (Default = 14)

[5] Function Key 5 Assignment (Default = 16)

00 Null Key (Not Used)	07 * 6 4 System Test	13 * 7 1 Utility Output
01 Not used	08 * 1 Bypass Mode	14 * 7 2 Sensor Reset
02 Not used	09 * 2 Trouble Display	15 Not Used
03 Stay Arm	10 * 3 Alarm Memory	16 * 0 Quick Exit
04 Away Arm	11 * 5 User Programming	17 * 1 Reactivate Stay/Away's
05 * 9 No-Entry Arm	12 * 6 User Functions	18 Not Used
06 * 4 Chime On/Off		

If multiple LCD keypads make 1 slot 8 to enable Zone description programming by downloader

<p>[01] Zone 1-6 Definitions Default 01 Zone 1 06 Zone 2 03 Zone 3 03 Zone 4 03 Zone 5 03 Zone 6</p>	<p>00 Null (Not Used) 01 Delay 1 02 Delay 2 03 Instant 04 Interior 05 Interior, Stay/Away 06 Delay, Stay/Away 07 Delay 24 Hour Fire 08 Standard 24 Hour Fire 09 24 Hour Supervisory (Links) 10 24 Hour Supervisory Buzzer</p>	<p>11 24 Hour Burglary 12 24 Hour Heat 13 Not Used 14 24 Hour Hold-Up 15 24 Hour Auxiliary 16 24 Hour Panic 17 24 Hour Emergency 18 24 Hour Sprinkler 19 24 Hour Water 20 24 Hour Freeze 21 24 Hour Latching Tamper</p>
--	---	---

[02] System Times
 Default
 030 | | | | | Entry Delay 1 (000 to 255 seconds)
 045 | | | | | Entry Delay 2 (000 to 255 seconds)
 120 | | | | | Exit Delay (000 to 255 seconds)
 004 | | | | | Bell Cut-off (000 to 255 minutes)

[03] Installer's Code
 Default
 1575 | 1 | 5 | 7 | 5 |

[04] Master Code
 Default
 1234 | | | | |

[05] Second Master Code
 Default
 AAAA | | | | |

DSC PC1575 Program Sheet

[06] PGM Output Programming (PGM 1 and 2)

Default

19 PGM 1
 10 PGM 2

Programmable Output Options

- | | |
|---|------------------------------------|
| 01 Ground Start Pulse | 12 Police Code Follower |
| 02 User Output with Any Code
[*] [7] [1] + Access Code | 13 20 Minute Latched Alarm |
| 03 Sensor Reset [*] [7] [2] | 14 Line Seizure |
| 04 Courtesy Pulse | 15 Ready to Arm Status |
| 05 Keypad Buzzer Follow Mode | 16 Links Support (PGM 1 only) |
| 06 System Armed Status | 17 Downlook Support |
| 07 Strobe Output | 25 2-Wire Smoke (PGM 2 only)** |
| 08 Fail to Communicate (TLM Output) | 26 Momentary Keyswitch Arm (PGM2) |
| 09 Entry Delay Follower | 27 Maintained Keyswitch Arm (PGM2) |
| 10 Exit Delay Follower | 28 Silent 24 Hour (PGM2) |
| 11 TLM and Alarm | 29 Audible 24 Hour (PGM2) |
| | 30 Forced Answer (PGM2) |

**For 2-Wire Smoke Support Jumper CON1 on board must be removed

[07] Keypad Lockout Options

Default

00 Number of Invalid Codes Before Lockout (001-255 codes)
 00 Lockout Duration (001-255 minutes)

[08] First System Option Code

(Toggle Options ON/OFF, Press # to Exit)

Default	Option ON	OFF
OFF <input type="checkbox"/>	1 Normally Closed Loops	End-of-Line Resistors
OFF <input type="checkbox"/> <u>ON</u>	2 Double End-of-Line Resistors	Single End-of-Line Resistors
ON <input type="checkbox"/> <u>ON</u>	3 Fire Key Enabled	Disabled
OFF <input type="checkbox"/> <u>ON</u>	4 Police Key Audible	Silent
ON <input type="checkbox"/> <u>ON</u>	5 TLM Enabled	Disabled
OFF <input type="checkbox"/> <u>ON</u>	6 TLM Audible when Armed	TLM Trouble Only

[09] Second System Option Code

(Toggle Options ON/OFF, Press # to Exit)

Default	Option ON	OFF
OFF <input type="checkbox"/> <u>OFF</u>	1 Master Code Not Changable	Master Code Changable
OFF <input type="checkbox"/> <u>OFF</u>	2 Code Required to Bypass	No Code Required
OFF <input type="checkbox"/> <u>ON</u>	3 6th Code is Duress Code	6th Code is Normal Code
OFF <input type="checkbox"/> <u>OFF</u>	4 Quick Exit Enabled	Quick Exit Disabled
OFF <input type="checkbox"/> <u>OFF</u>	5 Bypass Status Displayed w/Armed	Bypass Not Displayed w/Armed
ON <input type="checkbox"/> <u>ON</u>	6 AC Trouble Displayed	AC Trouble Not Displayed

[10] Third System Option Code

(Toggle Options ON/OFF, Press # to Exit)

Default	Option ON	OFF
OFF <input type="checkbox"/> <u>OFF</u>	1 Arm/Disarm Bell Squawk Enabled	Disabled
OFF <input type="checkbox"/> <u>OFF</u>	2 Bell Squawk During Auto Arm	Disabled
OFF <input type="checkbox"/> <u>OFF</u>	3 Bell Squawk On Exit Delay	Disabled
OFF <input type="checkbox"/> <u>OFF</u>	4 Bell Squawk On Entry Delay	Disabled
ON <input type="checkbox"/> <u>ON</u>	5 Audible Exit With Urgency	Silent Exit Delay
ON <input type="checkbox"/> <u>ON</u>	6 Quick Arm Enabled	Quick Arm Disabled

[11] Fourth System Option Code

(Toggle Options ON/OFF, Press # to Exit)

Default	Option ON	OFF
OFF <input type="checkbox"/> <u>OFF</u>	1 For Future Use	
ON <input type="checkbox"/> <u>ON</u>	2 Event Buffer Follow Swinger	Event Buffer always ON
ON <input type="checkbox"/> <u>ON</u>	3 Trouble Light Flashes if AC Fails	Light does not Flash
OFF <input type="checkbox"/> <u>OFF</u>	4 Exit Delay Termination Enabled	Disabled
OFF <input type="checkbox"/> <u>OFF</u>	5 Keypad Blanking Enabled	Disabled
OFF <input type="checkbox"/> <u>OFF</u>	6 Keypad Tamper Enabled	Disabled

Zone Attributes (Normally leave alone)

	ON OFF	Audible Silent	Steady Pulsed	Chime No	Force No	Bypass No	Downlook No
[21] Zone 1	<input type="checkbox"/>	<input type="checkbox"/>	<input type="checkbox"/>	<input type="checkbox"/>	<input type="checkbox"/>	<input type="checkbox"/>	<input type="checkbox"/>
[22] Zone 2	<input type="checkbox"/>	<input type="checkbox"/>	<input type="checkbox"/>	<input type="checkbox"/>	<input type="checkbox"/>	<input type="checkbox"/>	<input type="checkbox"/>
[23] Zone 3	<input type="checkbox"/>	<input type="checkbox"/>	<input type="checkbox"/>	<input type="checkbox"/>	<input type="checkbox"/>	<input type="checkbox"/>	<input type="checkbox"/>
[24] Zone 4	<input type="checkbox"/>	<input type="checkbox"/>	<input type="checkbox"/>	<input type="checkbox"/>	<input type="checkbox"/>	<input type="checkbox"/>	<input type="checkbox"/>
[25] Zone 5	<input type="checkbox"/>	<input type="checkbox"/>	<input type="checkbox"/>	<input type="checkbox"/>	<input type="checkbox"/>	<input type="checkbox"/>	<input type="checkbox"/>
[26] Zone 6	<input type="checkbox"/>	<input type="checkbox"/>	<input type="checkbox"/>	<input type="checkbox"/>	<input type="checkbox"/>	<input type="checkbox"/>	<input type="checkbox"/>

DSC PC1575 Program Sheet

[44] Maintenance Restoral Reporting Codes

Default FF <u>0</u> <u>0</u> Battery Trouble Restore FF <u>1</u> <u>1</u> AC Failure Trouble Restore FF <u>0</u> <u>0</u> Bell Circuit Trouble Restore FF <u>1</u> <u>1</u> Fire Trouble Restore	Default FF <u>0</u> <u>0</u> Aux Fuse Failure Restore FF <u>0</u> <u>0</u> TLM Trouble Restore FF <u>0</u> <u>0</u> General System Supervisory Restore
--	---

[45] Miscellaneous Maintenance Reporting Codes

Default

FF <u>1</u> <u>1</u> Phone Number 1 FTC
FF <u>0</u> <u>0</u> Phone Number 1 FTC Restoral
FF <u>0</u> <u>0</u> Event Buffer 75% Full
FF <u>0</u> <u>0</u> General Zone Fault Alarm
FF <u>0</u> <u>0</u> General Zone Fault Restoral
FF <u>0</u> <u>0</u> Delinquency Report Code

[46] Test Transmission Reporting Codes

Default

FF <u>F</u> <u>F</u> Periodic Test Transmission
FF <u>F</u> <u>F</u> System Test Report
FF <u>F</u> <u>F</u> Links 1000 Test Transmission Report

[50] Communicator Format Options

(If SIA reporting leave all Report Codes alone)

Default

02 <u>0</u> <u>4</u> 1st Phone Number	01 20 BPS 1400 HZ	03 DTMF CONTACT ID
02 <u>0</u> <u>4</u> 2nd Phone Number	02 20 BPS 2300 HZ	04 SIA FSK
		05 Pager

[51] Alarm/Restore Communicator Call Directions

Default	Option ON	OFF
ON <u>ON</u> 1 1st Telephone Number		Disabled
OFF <u>OFF</u> 2 2nd Telephone Number		Disabled
OFF <u>OFF</u> 3 1st Telephone Number (LINKS)		Disabled
OFF <u>OFF</u> 4 2nd Telephone Number (LINKS)		Disabled
OFF <u>OFF</u> 5-8 For Future Use		

[52] Tamper/Restore Communicator Call Directions

Default	Option ON	OFF
ON <u>ON</u> 1 1st Telephone Number		Disabled
OFF <u>OFF</u> 2 2nd Telephone Number		Disabled
OFF <u>OFF</u> 3 1st Telephone Number (LINKS)		Disabled
OFF <u>OFF</u> 4 2nd Telephone Number (LINKS)		Disabled
OFF <u>OFF</u> 5-8 For Future Use		

[53] Opening/Closing Communicator Call Directions

Default	Option ON	OFF
ON <u>OFF</u> 1 1st Telephone Number		Disabled
OFF <u>OFF</u> 2 2nd Telephone Number		Disabled
OFF <u>OFF</u> 3 1st Telephone Number (LINKS)		Disabled
OFF <u>OFF</u> 4 2nd Telephone Number (LINKS)		Disabled
OFF <u>OFF</u> 5-8 For Future Use		

[54] System Maintenance Alarm/Restore Communicator Call Directions

Default	Option ON	OFF
ON <u>ON</u> 1 1st Telephone Number		Disabled
OFF <u>OFF</u> 2 2nd Telephone Number		Disabled
OFF <u>OFF</u> 3 1st Telephone Number (LINKS)		Disabled
OFF <u>OFF</u> 4 2nd Telephone Number (LINKS)		Disabled
OFF <u>OFF</u> 5-8 For Future Use		

[55] System Test Transmissions Communicator Call Directions

Default	Option ON	OFF
ON <u>ON</u> 1 1st Telephone Number		Disabled
OFF <u>OFF</u> 2 2nd Telephone Number		Disabled
OFF <u>OFF</u> 3 1st Telephone Number (LINKS)		Disabled
OFF <u>OFF</u> 4 2nd Telephone Number (LINKS)		Disabled
OFF <u>OFF</u> 5-8 For Future Use		

DSC PC1575 Program Sheet

[60] First Communicator Option Code

Default	Option ON	OFF
ON	<input type="checkbox"/> ON	1 Communications Enabled
OFF	<input type="checkbox"/> ON	2 DTMF Dialing
OFF	<input type="checkbox"/> ON	3 Switch to Pulse on 5th Attempt
ON	<input type="checkbox"/> OFF	4 3rd Phone Number enabled
OFF	<input type="checkbox"/> OFF	5 Alternate Dial (1st and 3rd)
OFF	<input type="checkbox"/> OFF	6 Restorals on Bell Time-Out
		Communications Disabled
		Pulse Dialing
		DTMF Dial For All Attempts
		3rd Phone Number disabled
		Call 1st Number, Backup to 3rd
		Restorals Follow Zones

[61] Second Communicator Option Code

Default	Option ON	OFF
ON	<input type="checkbox"/> ON	1 Closing Confirmation Enabled
OFF	<input type="checkbox"/> OFF	2 Open After Alarm KP Ringback
OFF	<input type="checkbox"/> OFF	3 Open After Alarm Bell Ringback
ON	<input type="checkbox"/> OFF	4 Busy Tone Detection Enabled
OFF	<input type="checkbox"/> OFF	5 Call Links as well as Land Line
OFF	<input type="checkbox"/> OFF	3 SIA sends Programmed Reports
		Disabled
		Disabled
		Disabled
		Disabled
		Links is Backup
		SIA sends Automatic Codes

[62] Communication Variables

Default

003	<input type="text"/>	<input type="text"/>	<input type="text"/>	<input type="text"/>	Swinger Shutdown (Alarm & Rest) (001-014, 000=Disable)
000	<input type="text"/>	<input type="text"/>	<input type="text"/>	<input type="text"/>	Transmission Delay (001-255 seconds, 000 = No Delay)
030	<input type="text"/>	<input type="text"/>	<input type="text"/>	<input type="text"/>	AC Failure Communication Delay (001-255 minutes)
003	<input type="text"/>	<input type="text"/>	<input type="text"/>	<input type="text"/>	TLM Trouble Delay (No. of checks req. - valid entries 003 - 255)
030	<input type="text"/>	<input type="text"/>	<input type="text"/>	<input type="text"/>	Test Transmission Cycle (Land line) (001-255 days)
030	<input type="text"/>	<input type="text"/>	<input type="text"/>	<input type="text"/>	Test Transmission Cycle (LINKS) (001-255 days)
030	<input type="text"/>	<input type="text"/>	<input type="text"/>	<input type="text"/>	Delinquency Transmission Cycle (001-255 days / hours)

[63] Test Transmission Time of Day

Default
9999

[67] LINKS Preamble (First Telephone Number)

Default
FFFF

[68] LINKS Preamble (Second Telephone Number)

Default
FFFF

[69] LINKS Preamble (Third Telephone Number)

Default
FFFF

[70] Number of Rings to Answer Download Request

Default
000

[71] First Downloading Option Code

(Toggle Options ON/OFF, Press # to Exit)

Default	OPTION ON	OFF
OFF	<input type="checkbox"/> ON	1 Downloading Answer Enable
ON	<input type="checkbox"/> ON	2 User Can Enable Download
OFF	<input type="checkbox"/> OFF	3 Callback Enabled
OFF	<input type="checkbox"/> OFF	4 User Initiated Call-Up Enabled
OFF	<input type="checkbox"/> OFF	5 Periodic Downloading
OFF	<input type="checkbox"/> ON	6 Answer Machine Override
		Disabled
		Disabled
		Disabled
		Disabled
		Disabled
		Disabled

[72] Downloading Computer's Telephone Number (32 Digits)

[73] Downloading Access Code

Default
1575

[74] Panel Identification Code

Default
1575

[75] Answering Machine Double-call Timer

Default
060

[77] [Installer's Code] [77] Initiate PC-Link (Local Downloading)

[79] LINKS Preamble (Downloading Telephone Number)

FFFF

DSC PC1575 Program Sheet

Module Programming

[87] PC5400 Printer Module Programming

[01] Printer Configuration

Default	Option ON	OFF
OFF OFF	1 Printer Enabled	Printer Disabled
ON OFF	2 Handshake from Printer	No Handshake
OFF OFF	3 80 Column Printer	40 Column Printer
OFF OFF	4 300 Baud Enabled	Disabled
OFF OFF	5 1200 Baud Enabled	Disabled
OFF ON	6 2400 Baud Enabled	Disabled

[05] Printer Language Selection

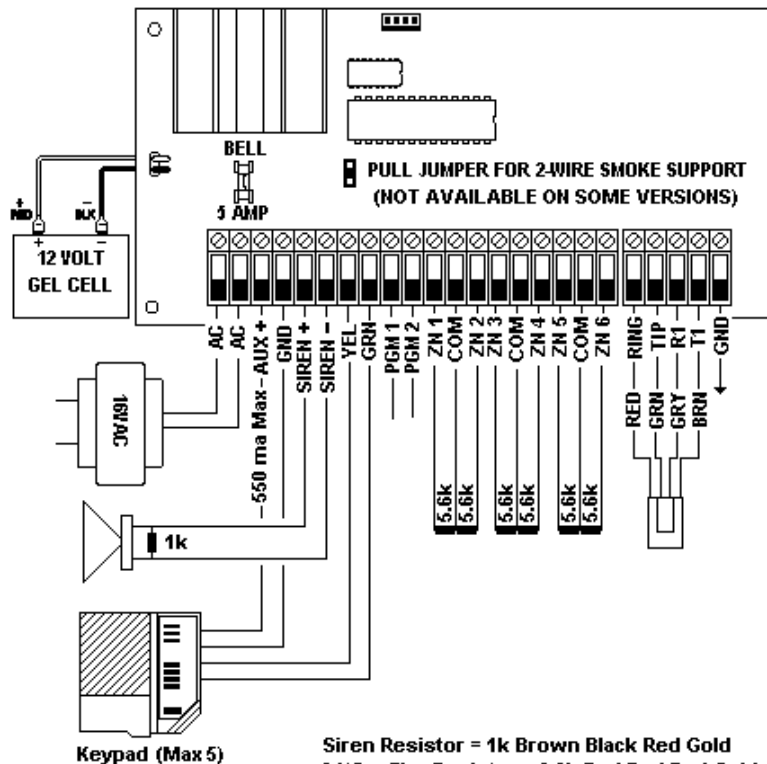
Default		
01 0 1	01 = English	
	02 = French	
	03 = Spanish	

[88] Downlook DLM-1/DLM-4 Support Timers

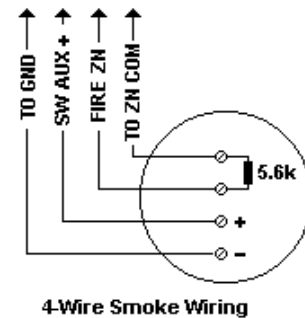
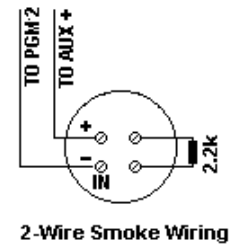
Default		
01 0 1	Number of Pictures (01 to 08)	
00 0 0	Delay before Capture in 100ms Increments (00 to 99)	

Special Installer Functions

[90] Installer Lockout Enable	90 + Installer Code + 90
[91] Installer Lockout Disable	91 + Installer Code + 91
[92] Module Supervision Reset	92 + Installer Code + 92
[95] Restore PC5580 ESCORT to Factory Default	95 + Installer Code + 95
[97] Restore PC5400 to Factory Default	97 + Installer Code + 97
[99] Restore PC1575 to Factory Default	99 + Installer Code + 99



Siren Resistor = 1k Brown Black Red Gold
 2-Wire Fire Resistor = 2.2k Red Red Red Gold
 Zone Resistor = 5.6k Green Blue Red Gold



Monitronics Monitoring and Service: 1-800-447-9239

DSC PC1575 Quick Reference Guide

Arm Away	Hold AWAY key for 2 seconds (if available) or enter User Code
Arm Stay	Hold STAY key for 2 seconds (if available) or enter User Code and do not leave
Instant Doors	Press * 9 then enter User Code
Disarming / Silencing Alarm	Enter 4 digit code Press # key if a mistake is made entering User Code or to eliminate flashing keypad if an alarm has occurred
Zone Bypassing	Press * 1 then enter Zone to bypass (1 to 6) (Zone bypassed will light on keypad) When finished press # Note: Some systems may require pressing * 1 + Master Code then the zone to bypass (1 to 6)
User Codes	Press * 5 then enter Master Code Enter User (1 to 6) Enter new 4-digit User Code then # to exit To erase a code repeat steps above except enter * instead of a new User Code The 1 st code is the system Master, the 6 th code is a Hostage (if programmed)
Door Chimes	Hold CHIME button for 2 seconds (if available) or press * 4
Reset Smoke Detector	Press * then 72
Trouble Light	If SYSTEM or TROUBLE Light turns ON press * then 3 Light 1: Battery trouble Light 2: AC loss Light 3: Communications Trouble Light 4: Zone fault Light 5: Zone Tamper Light 6: Loss of Time
Alarm Memory	Press * then 3, the zone or zones that caused last alarm will flash.