

DSC PC1555 v2.0 to 2.3 Program Sheet

How To Identify Largest chip on main board will show
 06000671 = 1555 v2.0
 06000714 = 1555 v2.1
 06000769 = 1555 v2.3 (will also say 2.30)
 06000735 = Monitronics 1555 v2.0
 00769V230 = 1555MX (also shows on Wiring Diagram and label on main board)

Modules Supported PC5132 Wireless Receiver
 PC5400 Printer Module
 Will not support PC5908/5928 Intercom or PC5580 Escort

Enter Program * 8 1555 (v2.0 & 2.1) or 5555 (v2.3)

Exit Program #

Move to location Enter 3-digit location, some areas may require # to exit

Default Panel 1. Connect wire from Zone 1 to PGM1
 2. Power up panel, wait 10 seconds
 3. If Zone 1 turns ON panel is defaulted, if not panel is locked

Hex Program A = * 1 * B = * 2 * C = * 3 * D = * 4 * E = * 5 * F = * 6 *

[000] Keypad Assignment (must be done at each keypad)

[0] Slot (Valid entries 11 to 18 for Slot 1 to 8)

[1] Function Key 1 Assignment (Default = 03)

[2] Function Key 2 Assignment (Default = 04)

[3] Function Key 3 Assignment (Default = 06)

[4] Function Key 4 Assignment (Default = 14)

[5] Function Key 5 Assignment (Default = 16)

00 Null Key (Not Used)	08 * 1 Bypass Mode	16 * 0 Quick Exit
01 Not Used	09 * 2 Trouble Display	17 * 1 Reactivate Stay/Away's
02 Not Used	10 * 3 Alarm Memory	18 Not Used
03 Stay Arm	11 * 5 User Programming	19 Not Used
04 Away Arm	12 * 6 User Functions	20 Not Used
05 * 9 No-Entry Arm	13 * 7 1 Utility Output	21 Not Used
06 * 4 Chime On/Off	14 * 7 2 Sensor Reset	
07 * 6 4 System Test	15 Not Used	

If multiple LCD keypads make one slot 8 to enable Zone description programming by downloader

[001] Zone 01-08 Definitions

Default	Default
01 Zone 01	05 Zone 05
03 Zone 02	05 Zone 06
03 Zone 03	05 Zone 07
03 Zone 04	05 Zone 08

00 = Null Zone/Zone Deleted
 01 = Delay 1
 02 = Delay 2
 03 = Instant
 04 = Interior
 05 = Interior Stay/Away
 06 = Delay Stay/Away
 07 = Delay 24hr Fire
 08 = Standard 24hr Fire
 09 = 24 Hour Supervisory (Links)
 10 = 24 Hour Supervisory Buzzer
 11 = 24 Hour Burglary
 12 = 24 Hour Holdup
 13 = 24 Hour Gas
 14 = 24 Hour Heat
 15 = 24 Hour Medical
 16 = 24 Hour Panic
 17 = 24 Hour Emergency
 18 = 24 Hour Sprinkler
 19 = 24 Hour Water
 20 = 24 Hour Freeze
 21 = 24 Hour Latching Tamper
 22 = Momentary Keyswitch Arm
 23 = Maintained Keyswitch Arm
 24 = Links Answer
 25 = Interior Delay (v2.3 only)
 87 = Delay Wireless Fire
 88 = Standard Wireless Fire

[002] Zone 09-16 Definitions

Default	Default
00 Zone 09	00 Zone 13
00 Zone 10	00 Zone 14
00 Zone 11	00 Zone 15
00 Zone 12	00 Zone 16

(PC1555 v2.3 only)

[003] Zone 17-24 Definitions

Default	Default
00 Zone 17	00 Zone 21
00 Zone 18	00 Zone 22
00 Zone 19	00 Zone 23
00 Zone 20	00 Zone 24

(PC1555 v2.3 only)

[004] Zone 25-32 Definitions

Default	Default
00 Zone 25	00 Zone 29
00 Zone 26	00 Zone 30
00 Zone 27	00 Zone 31
00 Zone 28	00 Zone 32

(PC1555 v2.3 only)

DSC PC1555 v2.0 to 2.3 Program Sheet

[005] System Times

Default

030 | | | | | Entry Delay 1 Enter 3 digits from [000-255]

045 | | | | | Entry Delay 2 Enter 3 digits from [000-255]

120 | | | | | Exit Delay Enter 3 digits from [000-255]

006 | | | | | Bell Cut-off Enter 3 digits from [000-255]

[006] Installer's Code 1555 (v2.0 & 2.1) or 5555 (v2.3)

Default

1555 | | | | |

[007] Master Code

Default

1234 | | | | |

[008] Maintenance Code

Default

AAAA | | | | |

[009] PCS1555 PGM Output Programming (PGM 1 & 2)

Default

19 | | | | | PGM 01

10 | | | | | PGM 02

Programmable Output Options

00 = Not Used

01 = Burg/Fire Bell Output

02 = For Future Use

03 = Sensor Reset (4-wire Smokes *72)

04 = 2-Wire Smokes (PGM2 ONLY)*

05 = System (Partition) Armed Status

06 = Ready To Arm

07 = Keypad Buzzer Follow Mode

08 = Courtesy Pulse

09 = System Trouble Output

10 = Latched System Event/Strobe

*For 2-Wire Smoke Support Jumper JP1 on board must be removed

(If Circuit Board has no JP1 jumper it cannot support a 2-Wire Smoke)

11 = System Tamper

12 = TLM and Alarm

13 = Kissoff Output

14 = Ground Start Pulse

15 = Remote Operation (DLS-1)

16 = Links 1000 Support (PGM1 only)

17 = Away Armed Status

18 = Stay Armed Status

19 = [*] [7] [1] Command Output

20 = [*] [7] [2] Command Output

21 & 22 For Future Use

[012] Keypad Lockout Options

Default

000 | 0 | 0 | 0 | | Number of Invalid Codes Before Lockout

000 | 0 | 0 | 0 | | Lockout Duration (in minutes)

[013] First System Option Code

(Toggle Zone lights ON or OFF then # to exit)

Default

Option ON

OFF

OFF | OFF | 1 Normally Closed Loops

End-of-Line Resistors

OFF | OFF | 2 Double End-of-Line Resistors

Single End-of-Line Resistors

ON | ON | 3 Panels shows trouble w/Armed

Panel shows Fire Trbl only w/Armed

ON | ON | 4 Tamper/Fault do not show open

Tampers/Fault show open

OFF | OFF | 5 Zone 1 is Fast Loop*

Zone 1 is Standard Loop*

OFF | OFF | 6 Audible Exit Fault Enabled

Audible Exit Fault Disabled

ON | ON | 7 Event Buffer follows Swinger

Event Buf Logs Events Past swinger

OFF | OFF | 8 Temporal 3 Fire Signal Enabled

Standard Pulsed Fire

*v2.0 & 2.1 only, v2.3 this is for Future Use

[014] Second System Option Code

(Toggle Zone lights ON or OFF then # to exit)

Default

Option ON

OFF

OFF | OFF | 1 Arm/Disarm Bell Squawk enable

Arm/Disarm Bell Squawk disable

OFF | OFF | 2 Bell Squawk During Auto Arm

No Bell Squawk

ON | ON | 3 Bell Squawk On Exit Delay

No Bell Squawk

OFF | OFF | 4 Bell Squawk On Entry Delay

No Bell Squawk

OFF | OFF | 5 Bell Squawk On Trouble

No Bell Squawk

ON | ??? | 6 Audible Exit Beeps

Silent Exit Delay

ON | ON | 7 Exit Delay Termination Enabled

Exit Del. Termination Disabled

ON | ON | 8 Fire Bell is Continuous

Fire Bell follows Bell Cut-Off

DSC PC1555 v2.0 to 2.3 Program Sheet

[015] Third System Option Code		(Toggle Zone lights ON or OFF then # to exit)	
Default	Option ON		OFF
ON <input type="checkbox"/> ON	1 [F] Keys Enabled		Fire Keys Disabled
OFF <input type="checkbox"/> ON	2 Panic Keys Audible		Panic Keys Silent
OFF <input type="checkbox"/> ON	3 Quick Exit Enabled		Quick Exit Disabled
ON <input type="checkbox"/> ON	4 Quick Arming Enabled		Function Keys Disabled
OFF <input type="checkbox"/> OFF	5 Code Required for Bypassing		Code not Required
OFF <input type="checkbox"/> OFF	6 Master Code Not Changeable		Master Code Changeable
ON <input type="checkbox"/> ON	7 TLM Enabled (Phone Monitor)		TLM Disabled
OFF <input type="checkbox"/> ON	8 TLM Audible When Armed		TLM Trouble Only W/Armed

[016] Fourth System Option Code		(Toggle Zone lights ON or OFF then # to exit)	
Default	Option ON		OFF
ON <input type="checkbox"/> ON	1 AC Trouble Displayed		AC Trouble not Displayed
OFF <input type="checkbox"/> OFF	2 Trouble Flashes if AC Fails		Trouble doesn't follow AC
OFF <input type="checkbox"/> OFF	3 Blank Keypad When Not Used		Keypad always Active
OFF <input type="checkbox"/> OFF	4 Code Req. to Stop KP Blanking		No Code Required
OFF <input type="checkbox"/> OFF	5 Keypad Backlight Enabled		Keypad Backlighting Disabled
OFF <input type="checkbox"/> OFF	6 Power Save Mode Enabled		Power Save Mode Disabled
OFF <input type="checkbox"/> OFF	7 Bypass Shows while Armed		Bypass doesn't show/Armed
OFF <input type="checkbox"/> OFF	8 Keypad Tamper Enabled		Keypad Tamper disabled

[017] Fifth System Option Code (v2.3 Only)		(Toggle Zone lights ON or OFF then # to exit)	
Default	Option ON		OFF
ON <input type="checkbox"/> ON	1 WLS Keyfob does not use Code		WLS Keyfob uses Code
OFF <input type="checkbox"/> OFF	2-7 For Future Use		
OFF <input type="checkbox"/> OFF	8 Bell Squawk Away Arm/Disarm		Bell Squawk on all Arm/Disarm

[020] Keypad Zone Assignments (If connecting zones using Z type keypads)

Default		
00 <input type="checkbox"/> <input type="checkbox"/>	Keypad (Slot 1) Zone	Valid entries are 01-08 (v2.0 & 2.1) 01-32 (v2.3) First assign keypad slot in 000 section 0 (11 to 18) (Keypad added as 11 would be Slot 1 here, 18 is Slot 8) then add Zone number here in proper slot (Ex: Zone 07 to Keypad 12 enter 00 07 00 00 00 00 00 00) (Keypad zones over-ride regular hardwire zones) Click HERE for Keypad Zone Wiring(linkID=1715)
00 <input type="checkbox"/> <input type="checkbox"/>	Keypad (Slot 2) Zone	
00 <input type="checkbox"/> <input type="checkbox"/>	Keypad (Slot 3) Zone	
00 <input type="checkbox"/> <input type="checkbox"/>	Keypad (Slot 4) Zone	
00 <input type="checkbox"/> <input type="checkbox"/>	Keypad (Slot 5) Zone	
00 <input type="checkbox"/> <input type="checkbox"/>	Keypad (Slot 6) Zone	
00 <input type="checkbox"/> <input type="checkbox"/>	Keypad (Slot 7) Zone	
00 <input type="checkbox"/> <input type="checkbox"/>	Keypad (Slot 8) Zone	

Zone Attributes (If Wireless is used turn light 8 ON)									
	Opt 1	Opt 2	Opt 3	Opt 4	Opt 5	Opt 6	Opt 7	Opt 8	
ON	Audible	Steady	Chime	Bypass	Force	Swinger	Tx Delay	Wireless	
OFF	Silent	Pulsed	No	No	No	No	No	No	
[101] Zone 1	<input type="checkbox"/>	<input type="checkbox"/>	<input type="checkbox"/>	<input type="checkbox"/>	<input type="checkbox"/>	<input type="checkbox"/>	<input type="checkbox"/>	<input type="checkbox"/>	<input type="checkbox"/>
[102] Zone 2	<input type="checkbox"/>	<input type="checkbox"/>	<input type="checkbox"/>	<input type="checkbox"/>	<input type="checkbox"/>	<input type="checkbox"/>	<input type="checkbox"/>	<input type="checkbox"/>	<input type="checkbox"/>
[103] Zone 3	<input type="checkbox"/>	<input type="checkbox"/>	<input type="checkbox"/>	<input type="checkbox"/>	<input type="checkbox"/>	<input type="checkbox"/>	<input type="checkbox"/>	<input type="checkbox"/>	<input type="checkbox"/>
[104] Zone 4	<input type="checkbox"/>	<input type="checkbox"/>	<input type="checkbox"/>	<input type="checkbox"/>	<input type="checkbox"/>	<input type="checkbox"/>	<input type="checkbox"/>	<input type="checkbox"/>	<input type="checkbox"/>
[105] Zone 5	<input type="checkbox"/>	<input type="checkbox"/>	<input type="checkbox"/>	<input type="checkbox"/>	<input type="checkbox"/>	<input type="checkbox"/>	<input type="checkbox"/>	<input type="checkbox"/>	<input type="checkbox"/>
[106] Zone 6	<input type="checkbox"/>	<input type="checkbox"/>	<input type="checkbox"/>	<input type="checkbox"/>	<input type="checkbox"/>	<input type="checkbox"/>	<input type="checkbox"/>	<input type="checkbox"/>	<input type="checkbox"/>
[107] Zone 7	<input type="checkbox"/>	<input type="checkbox"/>	<input type="checkbox"/>	<input type="checkbox"/>	<input type="checkbox"/>	<input type="checkbox"/>	<input type="checkbox"/>	<input type="checkbox"/>	<input type="checkbox"/>
[108] Zone 8	<input type="checkbox"/>	<input type="checkbox"/>	<input type="checkbox"/>	<input type="checkbox"/>	<input type="checkbox"/>	<input type="checkbox"/>	<input type="checkbox"/>	<input type="checkbox"/>	<input type="checkbox"/>
To (if PC1555 v2.3)									
[132] Zone 32	<input type="checkbox"/>	<input type="checkbox"/>	<input type="checkbox"/>	<input type="checkbox"/>	<input type="checkbox"/>	<input type="checkbox"/>	<input type="checkbox"/>	<input type="checkbox"/>	<input type="checkbox"/>

PGM Attributes (PC1550 Main Board) {button PGM Attribute Programming,JumpID("","Scribble1689")}

[141] PGM 1 Attributes

[142] PGM 2 Attributes

[160] Maximum Dialing Attempts to Each Phone Number
 Default: 008 | | | | Valid entries are 001-255 attempts (Do not enter 000)

[161] Post Dial Wait for Handshake
 Default: 040 | | | | Valid entries are 001-255 seconds

DSC PC1555 v2.0 to 2.3 Program Sheet

[202] Zone Assignments 1 to 8

(Toggle Zone lights ON or OFF then # to exit)

- Default Option ON
- ON ON | 1 Zone 1 is enabled
 - ON ON | 2 Zone 2 is enabled
 - ON ON | 3 Zone 3 is enabled
 - ON ON | 4 Zone 4 is enabled
 - ON ON | 5 Zone 5 is enabled
 - ON ON | 6 Zone 6 is enabled
 - ON ON | 7 Zone 7 is enabled
 - ON ON | 8 Zone 8 is enabled

- Option OFF
- Zone 1 is not enabled
 - Zone 2 is not enabled
 - Zone 3 is not enabled
 - Zone 4 is not enabled
 - Zone 5 is not enabled
 - Zone 6 is not enabled
 - Zone 7 is not enabled
 - Zone 8 is not enabled

[203] Zone Assignments 9 to 16

(Toggle Zone lights ON or OFF then # to exit)

- Default Option ON
- ON ON | 1 Zone 9 is enabled
 - ON ON | 2 Zone 10 is enabled
 - ON ON | 3 Zone 11 is enabled
 - ON ON | 4 Zone 12 is enabled
 - ON ON | 5 Zone 13 is enabled
 - ON ON | 6 Zone 14 is enabled
 - ON ON | 7 Zone 15 is enabled
 - ON ON | 8 Zone 16 is enabled

- Option OFF (PC1555 v2.3 only)
- Zone 09 is not enabled
 - Zone 10 is not enabled
 - Zone 11 is not enabled
 - Zone 12 is not enabled
 - Zone 13 is not enabled
 - Zone 14 is not enabled
 - Zone 15 is not enabled
 - Zone 16 is not enabled

[204] Zone Assignments 17 to 24

(Toggle Zone lights ON or OFF then # to exit)

- Default Option ON
- ON ON | 1 Zone 17 is enabled
 - ON ON | 2 Zone 18 is enabled
 - ON ON | 3 Zone 19 is enabled
 - ON ON | 4 Zone 20 is enabled
 - ON ON | 5 Zone 21 is enabled
 - ON ON | 6 Zone 22 is enabled
 - ON ON | 7 Zone 23 is enabled
 - ON ON | 8 Zone 24 is enabled

- Option OFF (PC1555 v2.3 only)
- Zone 17 is not enabled
 - Zone 18 is not enabled
 - Zone 19 is not enabled
 - Zone 20 is not enabled
 - Zone 21 is not enabled
 - Zone 22 is not enabled
 - Zone 23 is not enabled
 - Zone 24 is not enabled

[205] Zone Assignments 25 to 32

(Toggle Zone lights ON or OFF then # to exit)

- Default Option ON
- ON ON | 1 Zone 25 is enabled
 - ON ON | 2 Zone 26 is enabled
 - ON ON | 3 Zone 27 is enabled
 - ON ON | 4 Zone 28 is enabled
 - ON ON | 5 Zone 29 is enabled
 - ON ON | 6 Zone 30 is enabled
 - ON ON | 7 Zone 31 is enabled
 - ON ON | 8 Zone 32 is enabled

- Option OFF (PC1555 v2.3 only)
- Zone 25 is not enabled
 - Zone 26 is not enabled
 - Zone 27 is not enabled
 - Zone 28 is not enabled
 - Zone 29 is not enabled
 - Zone 30 is not enabled
 - Zone 31 is not enabled
 - Zone 32 is not enabled

Communicator Programming

[301] First Telephone Number (32 Digits)

*2 = *														*3 = #				*4 = Wait for Dial Tone				*5 = 2 Sec Pause				*6 = End Number					
(If adding more than one hex digit Example: *555* gives 3 2-second pauses)																															

[302] Second Telephone Number

--	--	--	--	--	--	--	--	--	--	--	--	--	--	--	--	--	--	--	--	--	--	--	--	--	--	--	--

Program Pager number + pauses *5555* gives 4 2-second pauses, uses 1st Account #

Monitronics PC1555's with burned in 1st & 2nd Numbers cannot do pagers

Monitronics PC1555's with burned in 1st & 3rd Numbers can do pagers

[303] Third Telephone Number (32 Digits)

--	--	--	--	--	--	--	--	--	--	--	--	--	--	--	--	--	--	--	--	--	--	--	--	--	--	--	--

[310] First/Third Receiver Telephone Account Code (4 Digits)

--	--	--	--

If SIA enter 0 if any 0 in Account Number

Pager will not send properly if Hex Characters A C D F are in Account Number

[311] Second Receiver Telephone Account Code (4 Digits)

--	--	--	--

DSC PC1555 v2.0 to 2.3 Program Sheet

[320] Alarm Report Codes Zone 01 to 08

Default

FF | F | F | Zone 01 Alarm
FF | F | F | Zone 02 Alarm
FF | F | F | Zone 03 Alarm
FF | F | F | Zone 04 Alarm

Default

FF | F | F | Zone 05 Alarm
FF | F | F | Zone 06 Alarm
FF | F | F | Zone 07 Alarm
FF | F | F | Zone 08 Alarm

[321] Alarm Report Codes Zone 09 to 16

Default

FF | F | F | Zone 09 Alarm
FF | F | F | Zone 10 Alarm
FF | F | F | Zone 11 Alarm
FF | F | F | Zone 12 Alarm

Default

FF | F | F | Zone 13 Alarm
FF | F | F | Zone 14 Alarm
FF | F | F | Zone 15 Alarm
FF | F | F | Zone 16 Alarm

(PC1555 v2.3 only)

[322] Alarm Report Codes Zone 17 to 24

Default

FF | F | F | Zone 17 Alarm
FF | F | F | Zone 18 Alarm
FF | F | F | Zone 19 Alarm
FF | F | F | Zone 20 Alarm

Default

FF | F | F | Zone 21 Alarm
FF | F | F | Zone 22 Alarm
FF | F | F | Zone 23 Alarm
FF | F | F | Zone 24 Alarm

(PC1555 v2.3 only)

[323] Alarm Report Codes Zone 25 to 32

Default

FF | F | F | Zone 25 Alarm
FF | F | F | Zone 26 Alarm
FF | F | F | Zone 27 Alarm
FF | F | F | Zone 28 Alarm

Default

FF | F | F | Zone 29 Alarm
FF | F | F | Zone 30 Alarm
FF | F | F | Zone 31 Alarm
FF | F | F | Zone 32 Alarm

(PC1555 v2.3 only)

[324] Alarm Restoral Report Codes Zones 01 to 08

Default

FF | F | F | Zone 01 Restoral
FF | F | F | Zone 02 Restoral
FF | F | F | Zone 03 Restoral
FF | F | F | Zone 04 Restoral

Default

FF | F | F | Zone 05 Restoral
FF | F | F | Zone 06 Restoral
FF | F | F | Zone 07 Restoral
FF | F | F | Zone 08 Restoral

[325] Alarm Restoral Report Codes Zone 09 to 16

Default

FF | F | F | Zone 09 Restoral
FF | F | F | Zone 10 Restoral
FF | F | F | Zone 11 Restoral
FF | F | F | Zone 12 Restoral

Default

FF | F | F | Zone 13 Restoral
FF | F | F | Zone 14 Restoral
FF | F | F | Zone 15 Restoral
FF | F | F | Zone 16 Restoral

(PC1555 v2.3 only)

[326] Alarm Restoral Report Codes Zone 17 to 24

Default

FF | F | F | Zone 17 Restoral
FF | F | F | Zone 18 Restoral
FF | F | F | Zone 19 Restoral
FF | F | F | Zone 20 Restoral

Default

FF | F | F | Zone 21 Restoral
FF | F | F | Zone 22 Restoral
FF | F | F | Zone 23 Restoral
FF | F | F | Zone 24 Restoral

(PC1555 v2.3 only)

[327] Alarm Restoral Report Codes Zone 25 to 32

Default

FF | F | F | Zone 25 Restoral
FF | F | F | Zone 26 Restoral
FF | F | F | Zone 27 Restoral
FF | F | F | Zone 28 Restoral

Default

FF | F | F | Zone 29 Restoral
FF | F | F | Zone 30 Restoral
FF | F | F | Zone 31 Restoral
FF | F | F | Zone 32 Restoral

(PC1555 v2.3 only)

[328] Miscellaneous Alarm Reporting Codes

Default

FF | F | F | Duress
FF | F | F | Opening After Alarm (Cancel)
FF | F | F | Recent Closing (Exit Alarm)

Default

FF | F | F | Zone Expander Supervisory Alarm
FF | F | F | Zone Expander Supervisory Restore
FF | F | F | Cross Zone Police Alarm

[329] Priority Alarm and Restoral

Default

FF | F | F | Keypad Fire Alarm
FF | F | F | Keypad Aux (Medical) Alarm
FF | F | F | Keypad Panic Alarm
FF | F | F | PGM2 Alarm

Default

FF | F | F | Keypad Fire Restoral
FF | F | F | Keypad Aux (Medical) Restoral
FF | F | F | Keypad Panic Alarm
FF | F | F | PGM2 Restoral

[330] Tamper Reporting Codes Zones 01 to 08

Default

FF | F | F | Zone 01 Tamper
FF | F | F | Zone 02 Tamper
FF | F | F | Zone 03 Tamper
FF | F | F | Zone 04 Tamper

Default

FF | F | F | Zone 05 Tamper
FF | F | F | Zone 06 Tamper
FF | F | F | Zone 07 Tamper
FF | F | F | Zone 08 Tamper

DSC PC1555 v2.0 to 2.3 Program Sheet

[331] Tamper Report Codes Zone 09 to 16

Default

FF | F | F | Zone 09 Tamper
FF | F | F | Zone 10 Tamper
FF | F | F | Zone 11 Tamper
FF | F | F | Zone 12 Tamper

(PC580 v2.3 only)

Default

FF | F | F | Zone 13 Tamper
FF | F | F | Zone 14 Tamper
FF | F | F | Zone 15 Tamper
FF | F | F | Zone 16 Tamper

[332] Tamper Report Codes Zone 17 to 24

Default

FF | F | F | Zone 17 Tamper
FF | F | F | Zone 18 Tamper
FF | F | F | Zone 19 Tamper
FF | F | F | Zone 20 Tamper

(PC1555 v2.3 only)

Default

FF | F | F | Zone 21 Tamper
FF | F | F | Zone 22 Tamper
FF | F | F | Zone 23 Tamper
FF | F | F | Zone 24 Tamper

[333] Tamper Report Codes Zone 25 to 32

Default

FF | F | F | Zone 25 Tamper
FF | F | F | Zone 26 Tamper
FF | F | F | Zone 27 Tamper
FF | F | F | Zone 28 Tamper

(PC1555 v2.3 only)

Default

FF | F | F | Zone 29 Tamper
FF | F | F | Zone 30 Tamper
FF | F | F | Zone 31 Tamper
FF | F | F | Zone 32 Tamper

[334] Tamper Restoral Reporting Codes Zones 01 to 08

Default

FF | F | F | Zone 01 Tamper Restoral
FF | F | F | Zone 02 Tamper Restoral
FF | F | F | Zone 03 Tamper Restoral
FF | F | F | Zone 04 Tamper Restoral

Default

FF | F | F | Zone 05 Tamper Restoral
FF | F | F | Zone 06 Tamper Restoral
FF | F | F | Zone 07 Tamper Restoral
FF | F | F | Zone 08 Tamper Restoral

[335] Tamper Restoral Report Codes Zone 09 to 16

Default

FF | F | F | Zone 09 Tamper Restoral
FF | F | F | Zone 10 Tamper Restoral
FF | F | F | Zone 11 Tamper Restoral
FF | F | F | Zone 12 Tamper Restoral

(PC1555 v2.3 only)

Default

FF | F | F | Zone 13 Tamper Restoral
FF | F | F | Zone 14 Tamper Restoral
FF | F | F | Zone 15 Tamper Restoral
FF | F | F | Zone 16 Tamper Restoral

[336] Tamper Restoral Report Codes Zone 17 to 24

Default

FF | F | F | Zone 17 Tamper Restoral
FF | F | F | Zone 18 Tamper Restoral
FF | F | F | Zone 19 Tamper Restoral
FF | F | F | Zone 20 Tamper Restoral

(PC1555 v2.3 only)

Default

FF | F | F | Zone 21 Tamper Restoral
FF | F | F | Zone 22 Tamper Restoral
FF | F | F | Zone 23 Tamper Restoral
FF | F | F | Zone 24 Tamper Restoral

[337] Tamper Restoral Report Codes Zone 25 to 32

Default

FF | F | F | Zone 25 Tamper Restoral
FF | F | F | Zone 26 Tamper Restoral
FF | F | F | Zone 27 Tamper Restoral
FF | F | F | Zone 28 Tamper Restoral

(PC1555 v2.3 only)

Default

FF | F | F | Zone 29 Tamper Restoral
FF | F | F | Zone 30 Tamper Restoral
FF | F | F | Zone 31 Tamper Restoral
FF | F | F | Zone 32 Tamper Restoral

[338] Miscellaneous Tamper Reporting Codes

Default

FF | F | F | General System Tamper
FF | F | F | General System Tamper Restoral
FF | F | F | Keypad Lockout

[339] Closing (Arming) Reporting Codes Access Codes 01 to 08

Default

FF | F | F | User Code 01 Closing
FF | F | F | User Code 02 Closing
FF | F | F | User Code 03 Closing
FF | F | F | User Code 04 Closing

Default

FF | F | F | User Code 05 Closing
FF | F | F | User Code 06 Closing
FF | F | F | User Code 07 Closing
FF | F | F | User Code 08 Closing

[340] Closing (Arming) Reporting Codes Access Codes 09 to 16

Default

FF | F | F | User Code 09 Closing
FF | F | F | User Code 10 Closing
FF | F | F | User Code 11 Closing
FF | F | F | User Code 12 Closing

Default

FF | F | F | User Code 13 Closing
FF | F | F | User Code 14 Closing
FF | F | F | User Code 15 Closing
FF | F | F | User Code 16 Closing

DSC PC1555 v2.0 to 2.3 Program Sheet

[341] Closing (Arming) Reporting Codes Access Codes 17 to 24

Default

FF User Code 17 Closing
FF User Code 18 Closing
FF User Code 19 Closing
FF User Code 20 Closing

Default

FF User Code 21 Closing
FF User Code 22 Closing
FF User Code 23 Closing
FF User Code 24 Closing

[342] Closing (Arming) Reporting Codes Access Codes 25 to 32

Default

FF User Code 25 Closing
FF User Code 26 Closing
FF User Code 27 Closing
FF User Code 28 Closing

Default

FF User Code 29 Closing
FF User Code 30 Closing
FF User Code 31 Closing
FF User Code 32 Closing

[343] Miscellaneous Closing (Arming) Reporting Codes

Default

FF User Code 33 Closing
FF User Code 34 Closing
FF Master Code 40 Closing
FF Master Code 41 Closing

Default

FF Master Code 42 Closing
FF Partial Closing
FF Special Closing

[344] Opening (Disarming) Reporting Codes Access Codes 01 to 08

Default

FF User Code 01 Opening
FF User Code 02 Opening
FF User Code 03 Opening
FF User Code 04 Opening

Default

FF User Code 05 Opening
FF User Code 06 Opening
FF User Code 07 Opening
FF User Code 08 Opening

[345] Opening (Disarming) Reporting Codes Access Codes 09 to 16

Default

FF User Code 09 Opening
FF User Code 10 Opening
FF User Code 11 Opening
FF User Code 12 Opening

Default

FF User Code 13 Opening
FF User Code 14 Opening
FF User Code 15 Opening
FF User Code 16 Opening

[346] Opening (Disarming) Reporting Codes Access Codes 17 to 24

Default

FF User Code 17 Opening
FF User Code 18 Opening
FF User Code 19 Opening
FF User Code 20 Opening

Default

FF User Code 21 Opening
FF User Code 22 Opening
FF User Code 23 Opening
FF User Code 24 Opening

[347] Opening (Disarming) Reporting Codes Access Codes 25 to 32

Default

FF User Code 25 Opening
FF User Code 26 Opening
FF User Code 27 Opening
FF User Code 28 Opening

Default

FF User Code 29 Opening
FF User Code 30 Opening
FF User Code 31 Opening
FF User Code 32 Opening

[348] Miscellaneous Opening (Disarming) Reporting Codes

Default

FF User Code 33 Opening
FF User Code 34 Opening
FF Master Code 40 Opening
FF Master Code 41 Opening

Default

FF Master Code 42 Opening
FF Auto Arm Cancellation
FF Special Opening

[349] Maintenance Alarm Reporting Codes

Default

FF Battery Trouble
FF AC Failure Trouble
FF Bell Circuit Trouble
FF Fire Trouble Alarm

Default

FF Auxiliary Power Supply Trouble
FF TLM Trouble (via LINKS)
FF For Future Use
FF General System Supervisory

[350] Maintenance Restoral Reporting Codes

Default

FF Battery Trouble Restoral
FF AC Failure Trouble Restoral
FF Bell Circuit Trouble Restoral
FF Fire Trouble Alarm Restoral

Default

FF Auxiliary Power Supply Restoral
FF TLM Trouble Restoral
FF For Future Use
FF General System Superv. Restoral

DSC PC1555 v2.0 to 2.3 Program Sheet

[351] Miscellaneous Maintenance Report Codes

Default

FF F F Phone Number 1 FTC
 FF F F Phone Number 1 FTC Restoral
 FF F F Event Buffer 75% Full
 FF F F DLS Lead IN

Default

FF F F DLS Lead OUT
 FF F F Zone Fault Alarm
 FF F F Zone Fault Restoral
 FF F F Delinquency Code

[352] Test Transmission Report Codes

Default

FF F F Periodic Test Transmission
 FF F F System Test

Default

FF F F LINKS 1000 Test Transmission Code

[353] Wireless Maintenance Report Codes

Default

FF F F General Zone Low Battery
 FF F F General Zone Low Battery Restoral

[360] Communicator Format Options

(If using SIA leave Report Codes alone)

Default

02 <input type="checkbox"/> 0 <input type="checkbox"/> 4 1st & 3rd Phone Number	01 = 4/2 20BPS 1400HZ	04 = SIA FSK
02 <input type="checkbox"/> 0 <input type="checkbox"/> 5 2nd Phone Number	02 = 4/2 20BPS 2300HZ	05 = Pager
	03 = Contact ID	06 = Residential Dial (v2.3 only)

[361] Alarms and Restorals Call Directions

(Toggle Zone lights ON or OFF then # to exit)

Default

Option ON	OFF
ON <input type="checkbox"/> ON 1 1st Telephone Number	Disabled
OFF <input type="checkbox"/> OFF 2 2nd Telephone Number	Disabled
OFF <input type="checkbox"/> OFF 3 1st Telephone Number (LINKS)	Disabled
OFF <input type="checkbox"/> OFF 4 2nd Telephone Number (LINKS)	Disabled
OFF <input type="checkbox"/> OFF 5 to 8 for Future Use	

[363] Tamper & Restorals Call Directions

(Toggle Zone lights ON or OFF then # to exit)

Default Option ON

Option ON	OFF
ON <input type="checkbox"/> ON 1 1st Telephone Number	Disabled
OFF <input type="checkbox"/> OFF 2 2nd Telephone Number	Disabled
OFF <input type="checkbox"/> OFF 3 1st Telephone Number (LINKS)	Disabled
OFF <input type="checkbox"/> OFF 4 2nd Telephone Number (LINKS)	Disabled
OFF <input type="checkbox"/> OFF 5 to 8 for Future Use	

[365] Openings & Closings Call Directions

(Toggle Zone lights ON or OFF then # to exit)

Default Option ON

Option ON	OFF
ON <input type="checkbox"/> OFF 1 1st Telephone Number	Disabled
OFF <input type="checkbox"/> OFF 2 2nd Telephone Number	Disabled
OFF <input type="checkbox"/> OFF 3 1st Telephone Number (LINKS)	Disabled
OFF <input type="checkbox"/> OFF 4 2nd Telephone Number (LINKS)	Disabled
OFF <input type="checkbox"/> OFF 5 to 8 for Future Use	

[367] Maintenance Alarms & Restorals

(Toggle Zone lights ON or OFF then # to exit)

Default Option ON

Option ON	OFF
ON <input type="checkbox"/> ON 1 1st Telephone Number	Disabled
OFF <input type="checkbox"/> OFF 2 2nd Telephone Number	Disabled
OFF <input type="checkbox"/> OFF 3 1st Telephone Number (LINKS)	Disabled
OFF <input type="checkbox"/> OFF 4 2nd Telephone Number (LINKS)	Disabled
OFF <input type="checkbox"/> OFF 5 to 8 for Future Use	

[368] Test Transmissions Call Directions

(Toggle Zone lights ON or OFF then # to exit)

Default Option ON

Option ON	OFF
ON <input type="checkbox"/> ON 1 1st Telephone Number	Disabled
OFF <input type="checkbox"/> OFF 2 2nd Telephone Number	Disabled
OFF <input type="checkbox"/> OFF 3 1st Telephone Number (LINKS)	Disabled
OFF <input type="checkbox"/> OFF 4 2nd Telephone Number (LINKS)	Disabled
OFF <input type="checkbox"/> OFF 5 to 8 for Future Use	

DSC PC1555 v2.0 to 2.3 Program Sheet

[370] Communication Variables

Default

003		0		0		3		Swinger Shutdwn (Alarms&Rest) (001-014 Trans, 000=disabled)
003		0		0		3		Swinger Shutdwn (Tampers&Rest) (001-014 Trans, 000=disabled)
003		0		0		3		Swinger Shutdwn (Maint&Rest) (001-014 Trans, 000=disabled)
000		0		0		0		Communication Delay (001-255 seconds)
030		0		6		0		AC Failure Communication Delay (001-255 minutes)
003		0		0		6		TLM Trouble Delay Land Line (No. of valid checks required - 000-255 x 10s)
030		0		3		0		TLM Trouble Delay Links (No. of valid checks required - 000-255 x 10s)
030		0		3		0		Test Transmission Cycle (001-255 days; 000 to disable)
007		0		0		7		Transmitter Low Battery Transmission Delay (000-255 days)
030		0		3		0		Delinquency Transmission Cycle (000-255 days)

[371] Test Transmission Time of Day

Default

9999 | | | | Valid entries are 0000 to 2359

[380] First Communicator Option Code (Toggle Zone lights ON or OFF then # to exit)

Default

	Option ON	OFF
ON <u>ON</u>	1 Communications Enabled	Disabled
OFF <u>ON</u>	2 Restorals on Bell Time-Out	Restorals Follow Zones
OFF <u>OFF</u>	3 Pulse Dialing	DTMF Dialing
ON <u>ON</u>	4 Switch to Pulse after 5th Attempt	DTMF for All Attempts
OFF <u>OFF</u>	5 3rd Phone Number Enabled	Disabled
OFF <u>OFF</u>	6 Alternate Dial 1st & 3rd	Call 1st Number, Backup to 3rd
(Monitronics)	6 Dial 1st Phone Number	Dial 3rd Phone Number
OFF <u>OFF</u>	7 Call Links as well as Land Line	Links is Backup to Land Line
OFF <u>OFF</u>	8 Delinquency Follows Activity (Hrs)	Delinquency Follows Arming (Days)

Monitronics 1555 Information

If Phone 1 & 2 are preprogrammed set Lights 1 & 4 ON, all others OFF

If Phone 1 & 3 are preprogrammed set Lights 1, 4 and 6 ON, all others OFF

[381] Second Communicator Option Code (Toggle Zone lights ON or OFF then # to exit)

Default

	Option ON	OFF
OFF <u>OFF</u>	1 Open after Alarm Ringback Enable	Disabled
OFF <u>OFF</u>	2 Open After Bell Ringback Enable	Disabled
OFF <u>OFF</u>	3 SIA sends Programmed Report Codes	SIA sends Automatic Report Codes
OFF <u>OFF</u>	4 Closing Confirmation Enabled	Disabled
ON <u>ON</u>	5 For Future Use	
OFF <u>OFF</u>	6 For Future Use	
ON <u>OFF</u>	7 Contact ID uses Pgrm'd Report Codes*	Contact ID sends Automatic Reports*
OFF <u>OFF</u>	8 For Future Use	

* = Version 2.1 & 2.3 only

[390] Links Preamble First Telephone Number

Default

FFFF | | | |

[391] Links Preamble Second Telephone Number

Default

FFFF | | | |

[392] Links Preamble Third Telephone Number

Default

FFFF | | | |

[393] Links Special Function Preamble

Default

FFFF | | | |

Download Programming

[401] First Downloading Option Code (Toggle Zone lights ON or OFF then # to exit)

Default Option ON

	Option ON	OFF
OFF <u>ON</u>	1 Downloading Enabled	Disabled
ON <u>ON</u>	2 User Can Enable DLS Window	Disabled
OFF <u>OFF</u>	3 Call Back Enabled	Disabled
OFF <u>OFF</u>	4 User Initiated Call-Up Enabled	Disabled
OFF <u>OFF</u>	5 to 8 For Future Use	

[402] Downloading Telephone Number (32 Digits)

| L | E | A | V | E | | B | L | A | N | K | | | | | | | | | | | | | | | | | | | | | |

DSC PC1555 v2.0 to 2.3 Program Sheet

[403] Downloading Access Code

Default

1555 | 1 | 5 | 5 | 5 |

[404] Panel Identification Code

Default

1555 | 1 | 5 | 5 | 5 |

[405] Answer Machine Double Call Timer

Default

060 | 0 | 4 | 0 |

[406] Number of Rings to Answer On

Default

000 | 0 | 1 | 0 |

[490] Links Preamble Download Phone Number

Default

FFFF | F | F | F | F |

[499] Installer Code + [499] Initiate PC-Link (Local Downloading)

[701] First International Options Code (v2.3 only)

Default

Option ON

OFF

OFF | | 1 to 4 For Future Use

OFF | | 5 6-Digit User Access Codes

4-Digit User Access Codes

OFF | | 6 Busy Tone Detection Enabled

Disabled

OFF | | 7 to 8 For Future Use

Module Programming

[801] PC5400 Printer Module

[01] Printer Configuration

Default

Option ON

Option OFF

OFF | OFF | 1 Printer Enabled

Printer Disabled

ON | OFF | 2 Handshake from Printer (DTR)

No Handshake

OFF | ON | 3 80 Column Printer

40 Column Printer

OFF | OFF | 4 300 Baud Enabled

300 Baud Disabled

OFF | OFF | 5 1200 Baud Enabled

1200 Baud Disabled

ON | ON | 6 2400 Baud Enabled

2400 Baud Disabled

OFF | ON | 7 4800 Baud Enabled

4800 Baud Disabled

OFF | OFF | 8 Local Clock displays 24 Hr

Local Clock displays AM/PM

[05] Zone 1-8 Definitions

Default

01 | | Printer Language

01 English

02 French

03 Spanish

04 Swedish

[803] PC2150/2250 Long Range Radio or Skyroute

DSC PC1555 v2.0 to 2.3 Program Sheet

[804] PC5132 Wireless Receiver (Use "ESN" Number from sticker on sensor, if only "SN" add 0 as 1st digit)

All DSC Wireless sensor Serial Numbers go here EXCEPT WLS910 Hand Held Keypad or WLS909 Keyfob

Default = 000000 (WARNING! If these sections only accept 5 digits Receiver is V2.0 or 2.1!)

[01] Zone 01						[17] Zone 17					
[02] Zone 02						[18] Zone 18					
[03] Zone 03						[19] Zone 19					
[04] Zone 04						[20] Zone 20					
[05] Zone 05						[21] Zone 21					
[06] Zone 06						[22] Zone 22					
[07] Zone 07						[23] Zone 23					
[08] Zone 08						[24] Zone 24					
[09] Zone 09						[25] Zone 25					
[10] Zone 10						[26] Zone 26					
[11] Zone 11						[27] Zone 27					
[12] Zone 12						[28] Zone 28					
[13] Zone 13						[29] Zone 29					
[14] Zone 14						[30] Zone 30					
[15] Zone 15						[31] Zone 31					
[16] Zone 16						[32] Zone 32					

Handheld Keypad Serial Numbers

Default = 000000

[33] Keypad 01						[35] Keypad 03					
[34] Keypad 02						[36] Keypad 04					

Wireless Keyfob Serial Numbers

Default = 000000

[41] Key 01						[49] Key 09					
[42] Key 02						[50] Key 10					
[43] Key 03						[51] Key 11					
[44] Key 04						[52] Key 12					
[45] Key 05						[53] Key 13					
[46] Key 06						[54] Key 14					
[47] Key 07						[55] Key 15					
[48] Key 08						[56] Key 16					

WLS910 Handheld Keypad Functions

[57] Function Key 1					[00] Key Not Used	[16] * 0 Quick Exit
Function Key 2					[01] For Future Use	[17] * 1 Reactivate Stay/Aways
Function Key 3					[02] For Future Use	[18] For Future Use
Function Key 4					[03] Stay Arm	[19] * 7 3 Command Output 3
					[04] Away Arm	[20] For Future Use
					[05] * 9 No-Entry Arm	[21] * 7 4 Command Output 4
					[06] * 4 Chime ON/OFF	[22] to [26] For Future Use
					[07] * 6 ---- 4 System Test	[27] Disarm (OFF)
					[08] to [12] For Future Use	[28] Fire Alarm
					[13] * 7 1 Command Output 1	[29] Aux/Medical Alarm
					[14] * 7 2 Sensor Reset	[30] Police Panic
					[15] For Future Use	

WLS909 Wireless Key Functions

[59] Function Key 1				
Function Key 2				
Function Key 3				
Function Key 4				

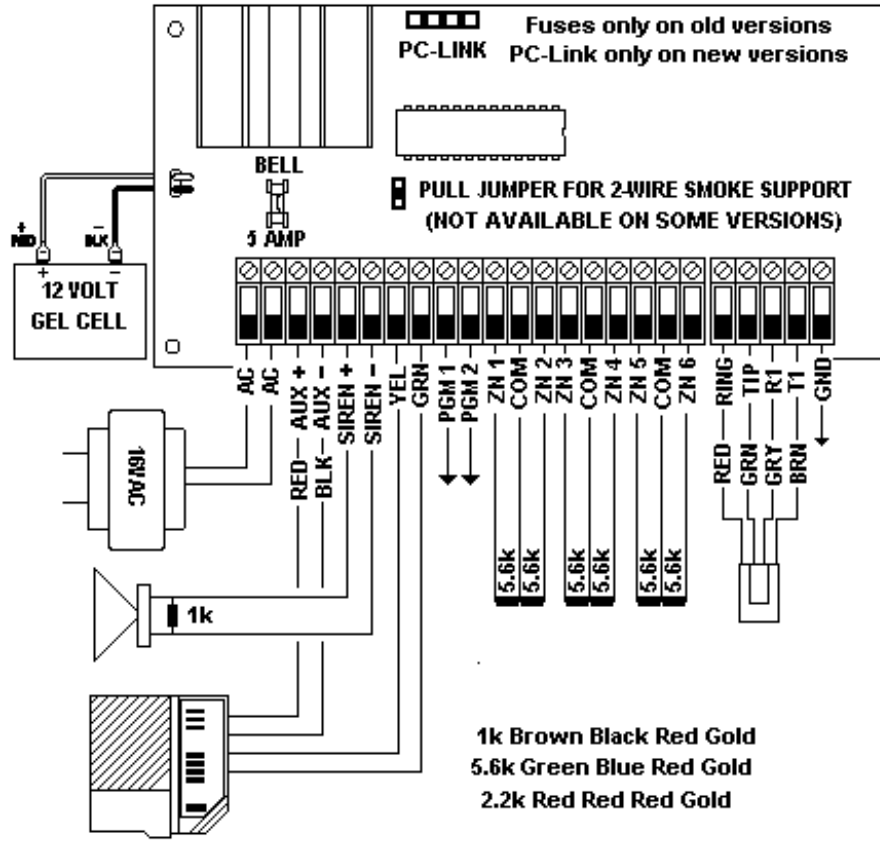
Special Installer Functions

- [981] Installer Buzzer Walk Test Mode Begin/End
- [902] Module Supervision Enable/Reset
- [903] View Module Supervision Field
- [904] Wireless Module Placement Test
Select the module / transmitter (Zones 01-32)
Press # to Cancel

Placement	LED Keypad	Alpha Keypad	Bell / Buzzer
Good	Light 1 ON Steady	GOOD	1 Beep / Squawk
Fair	Light 2 ON Steady	FAIR	2 Beeps / Squawks
Bad	Light 3 ON Steady	BAD	3 Beeps / Squawks

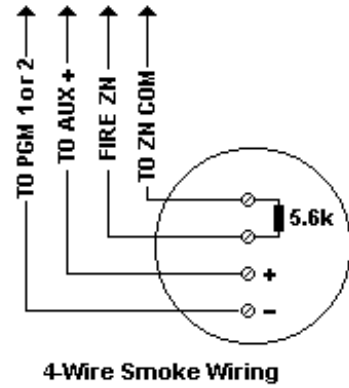
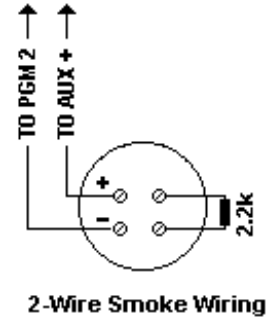
- [990] Installer Lockout Enable
- [991] Installer Lockout Disable
- [996] Restore PC5132 Default Programming 996 + Installer Code + 996
- [997] Restore PC5400 Default Programming 997 + Installer Code + 997
- [999] Restore PC1555 Default Programming 999 + Installer Code + 999

DSC PC1555 v2.0 to 2.3 Program Sheet



Keypad (Max 8)

Mark Leuck 7/2/2000



Monitronics PC1555 Quick Reference Guide

Monitoring and Service call 1-800-447-9239

Arm Away	Hold AWAY button for 3 seconds (if available) Or Enter User Code then leave
Arm Stay	Hold STAY key for 3 seconds (if available) Or Enter User Code and do not leave, system should arm with interior motion detectors bypassed
Disarming / Silencing Alarm	Enter 4 digit User Code Press # and enter User Code again if a mistake is made while disarming
Instant Doors	Press * 9 + User Code, system will arm all exterior zones instant Instant zones will return to normal when system is disarmed
Zone Bypassing	Press * 1 + Zone to bypass (01, 02 etc) When finished press # When system is disarmed all bypassed zones will reset to normal
User Codes	Press * 5 + Master Code + User (01 to 32) + New User Code + # To erase a code repeat steps above but enter * instead of 4 digit code. To exit press # The 40 th code is the Master Code, the 33 rd code is a Hostage Code (if enabled)
Door Chimes	Hold CHIME button for 2 seconds (if available) or press * 4 to turn on or off
Smoke Detector Reset	To silence siren enter 4 digit User Code. To reset smoke detector press * 72. There will be a 5-second tone while smoke detector resets
Trouble Light	If the SYSTEM or TROUBLE Light turns on press * + 2 and view Zone Lights Light 1 = System Fault (Press 1 again) 1 = Low System Battery 2 = Siren Trouble Any other Light in this section indicates Internal Panel Problem Light 2 = AC Failure Light 3 = Telephone Line Trouble Light 4 = Failure to Communicate Light 5 = Zone Trouble Light 6 = Zone Tamper Light 7 = Zone Low Battery Light 8 = Loss of System Clock(see below) Press * + 6 + Master Code + 1, enter Hours + Minutes + Day + Month + Year + # to exit <i>Example: 1:30PM 07/19/99 would be 1330 0719 99</i>
Alarm Memory	Press * + 3, the zone or zones that caused the last alarm will flash, press # to exit